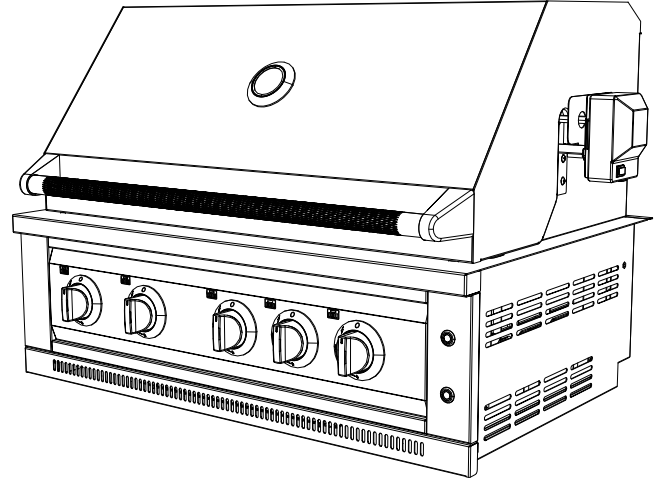


NEWAGE PLATINUM 36" GRILL (PROPANE)

SKU#66913 - NEWAGE PLATINUM 36" GRILL - LP
SKU#66278 - NEWAGE PLATINUM 36" GRILL - LP
WITH 36" GRILL CART



⚠ WARNING

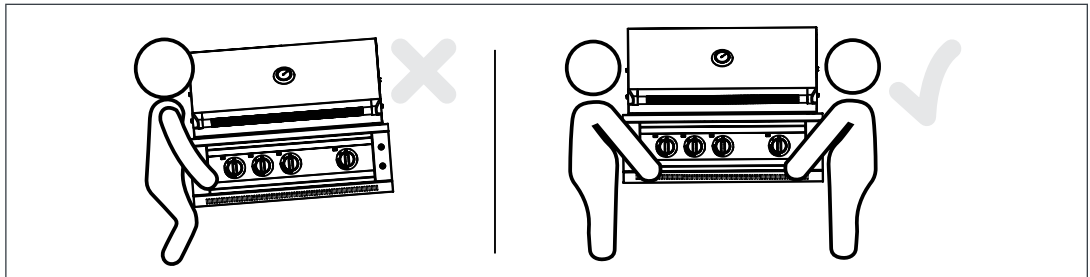
If the information in the grill's instructions are not followed exactly, a fire, explosion or production of carbon monoxide may result causing property damage, personal injury or loss of life.

INSTALLATION AND OPERATION GUIDE



Warning: Excessive weight hazard!

Use two or more people to move, assemble, or install the grill to avoid back injury. Do not leave children unattended near the grill or cabinets.



ATTENTION: Is your Grill damaged?

Need help or spare parts? For fastest service, contact NewAge Products at 1-877-306-8930; or support@newageproducts.com. Do not return to the retailer.

THIS INSTRUCTION MANUAL CONTAINS IMPORTANT INFORMATION NECESSARY FOR THE PROPER ASSEMBLY AND SAFE USE OF THE APPLIANCE.
READ AND FOLLOW ALL WARNINGS AND INSTRUCTIONS BEFORE ASSEMBLING AND USING THE APPLIANCE.
FOLLOW ALL WARNINGS AND INSTRUCTIONS WHEN USING THE APPLIANCE. FAILURE TO OPERATE THIS PRODUCT IN A WELL VENTILATED AREA CAN CAUSE PROPERTY DAMAGE, INJURY OR DEATH.

DANGER

Read and follow the instructions in this manual fully and completely before installing, servicing or operating the grill to reduce the risk of :

1. Fire
2. Personal injury or property damage
3. Improper installation

THIS PRODUCT IS DESIGNED FOR OUTDOOR USE ONLY. Do not install or operate indoors, in a garage, in a screened in porch, gazebo, or any other enclosed area. This outdoor cooking gas appliance is not intended to be installed in or on recreational vehicles , boats or in a non-ventilated room. Failure to operate this product in a well ventilated area can cause property damage, injury or death. Keep the area surrounding the grill clear and free from combustible materials, gasoline and other flammable vapors and liquids.

WARNING

1. Do not store or use gasoline or other flammable liquids or vapors in the vicinity of this or any other appliance.
2. A Propane gas cylinder not connected for use shall not be stored in the vicinity of this or any other appliance.

The installation must conform with local codes or, in the absence of local codes, with either the National Fuel Gas code, ANSI Z223.1/NFPA 54 or the National Gas and Propane installation code, CSA B149.1, or the Propane Storage and Handling Code, CSA B149.2, or the Standard for Recreational Vehicles, ANSI A119.2/ NFPA, and CSA Z240 RV Series, Recreational Vehicle Code as applicable.

CAUTION

1. The outdoor cooking gas appliance and its individual shutoff valve must be disconnected from the gas supply piping system during any pressure testing of that system at test pressures in excess of 0.5 psi (3.5 kPa).
2. The outdoor cooking gas appliance must be isolated from the gas supply piping system by closing its individual manual shutoff valve during any pressure testing of the gas supply piping system at test pressures equal to or less than 1/2 psi (3.5 kPa).

DANGER

IF YOU SMELL GAS:

1. Shut off gas to the appliance.
2. Extinguish any open flame.
3. Open the lid.
4. If odor continues, keep away from the appliance and immediately call your gas supplier or your fire department.

WARNING

CALIFORNIA PROPOSITION 65

1. This product can expose you to chemicals including Carbon Monoxide, which is a by-product of combustion known to the State of California to cause cancer and birth defects or other reproductive harm. For more information go to www.P65Warnings.ca.gov.
2. California law requires businesses to warn customers of potential exposure to such substances. To minimize exposure to the substances, always operate this unit according to the use and care instructions found in this manual. Be certain to provide adequate ventilation when cooking.
3. California Proposition 65 lists "Silica, crystalline" which is used in one of the components of the IR burner, as an agent known to the state of California to cause cancer.

WARNING

STATE OF MASSACHUSETTS

1. Massachusetts requires all gas be installed using a plumber or gas fitter carrying the appropriate Massachusetts license.
2. All permanently-installed natural gas installation require a "T" handle type manual gas valve be installed in the gas supply line to this appliance.

WARNING

1. Always maintain the required clearances from combustible construction as detailed. The grill is designed for outdoor use only. Never use in a garage, building, shed, breezeway or other enclosed area. This grill shall not be used under any unprotected overhead combustible construction.
2. Gas grills are not design certified for and are not to be installed in or on recreational vehicles, portable trailers, boats or any other moving installation.
3. Keep any electrical supply cord and the fuel supply hose away from any heated surfaces. Electrical cords should be placed away from walkways to avoid creating a tripping hazard.
4. Do not repair or replace any part of the grill unless specifically recommended in this manual.
5. All gas lines must have a shut-off that is readily and easily accessible. Be sure the owner knows where the shut-off is located. If you smell gas, check for gas leaks immediately. Check only with a soap and water solution. Never check for gas leaks with an open flame. (See INDEX: "Leak Testing" for further details.)

IMPORTANT NOTES

This Gas Barbecue Is Certified Under Canadian And American National Standards, ANSI Z21.58-2018 and CSA 1.16-2018 respectively for Outdoor Gas Grills and should be installed to conform with local codes. In absence of local codes, install to the current CAN B149.2 Natural Fuel Gas Code and the Propane Installation Code, CSA B149.1 Propane Installation Code in Canada or to the National Fuel Gas Code, ANSI Z223.1/NFPA 54 the National Fuel Gas Code the Natural Gas and Propane Installation Code, CSA B149.2.

If a rotisserie motor is used, it must be electrically grounded in accordance with local codes or, in absence of local codes, with the current CSA C22.1 Canadian Electrical Code in Canada or the National Electrical Code, ANS/NFPA 70 the Canadian Electrical Code, Part 1, CSA 22.1.

CAUTION

- 1. If you want to connect the appliance to fixed fuel piping system, and have any questions about the installation, contact “NEWAGE Product Inc”, call Customer Support Team >1- 877-306-8930; or support@newageproducts.com**
- 2. The warranty of the product may be voided if the installation deviates from the installation instructions provided in this manual.**

NEWAGE PRODUCTS INC. PLATINUM GRILLS MANUFACTURER WARRANTY

PROOF OF PURCHASE IS REQUIRED TO OBTAIN WARRANTY SERVICE.

Please have the following information available when you call our customer service team:

- Name, address and telephone number
- Product Name / SKU Number
- A clear, detailed description of the problem
- Proof of purchase including order number

Register your NewAge Products purchase online for quicker customer assistance and access to exclusive benefits

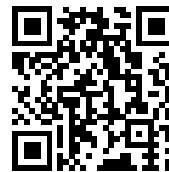
Visit www.newageproducts.com/register/

Warranty Claim

For warranty service please contact NewAge Products at **1-877-306-8930; or support@newageproducts.com**

Please review all warranty details below, prior to contacting NewAge Products for a claim.

Scan the QR code on the right to access our support page or visit www.newageproducts.com/contact-us/



Scan this QR code with the camera on your mobile device to visit the NewAge Products Support Hub

www.newageproducts.com/support-hub/

10 YEARS LIMITED WARRANTY

NewAge is proud to offer a 10 Years Limited Warranty from the date of purchase. This is subject to the limitations and disclaimers set forth below and other product documentations.

Length of Warranty	Warranty Covered Items	Cost to NewAge	Cost to Customer
10 years	Stainless steel grill hood / burner box/ Interior Brackets	Materials	Shipping
5 Years	Rotisserie Forks and Spit, Rotisserie Rollers, Grill grates, Grease Trays, Ceramic Rotisserie Burner, Ceramic Sear Burner, H shaped Burner and Side Burners	Materials	Shipping
2 Years	All other parts and accessories	Materials	Shipping

WHAT IS COVERED

When this product is installed, operated and maintained according to the instructions attached to or furnished with the product, NewAge Products Inc. will replace the defective product or parts if the part fails as a result of defective materials or workmanship for the warranty duration from the purchase date of the product.

WHAT IS NOT COVERED

1. Service calls to correct the installation of any NewAge products or to instruct you how to use or install them.
2. Damage resulting from products caused by accident, misuse, abuse, fire, flood, improper installation, acts of God, neglect, modification or mishandling.
3. Products damaged by improperly loading beyond the specified maximum weight capacity outlined in the instructions provided with the product.
4. Repairs or replacement when your product is used in other than normal, residential use, such as a commercial environment, or handled in anyway inconsistent with the installation instructions included with the product.
5. Cosmetic damage that occurs after customer purchasing the product, including scratches, dings, dents, corrosion, or stains in the material that does not affect the structural or functional capability of the product.
6. Surfaces damaged due to improper use of chemicals, and detergents.
7. Discoloration due to the heat, for example beside a grill, is a trait of stainless steel.
8. Surface rust resulting from acid rain or environmental chemicals
9. Loss due to theft.
10. Damage resulting from use of the product contrary and not in accordance to the instruction manual.
11. Any labor costs during the warranty period.

The 304 stainless steel material used in the construction of NewAge Outdoor Kitchen Grill is highly rust resistant, however, chlorine in the air from swimming pools or the salt from sea air may cause surface rust to appear and even create some pitting corrosion if left on the product. We suggest cleaning all stainless steel surfaces at least every two weeks to keep your Grill in prime condition. The chemical reaction from salt is easy to prevent however it is more difficult when left on the surface.

DISCLAIMER OF IMPLIED WARRANTIES

IMPLIED WARRANTIES, INCLUDING TO THE EXTENT APPLICABLE WARRANTIES OF MERCHANTABILITY OR FITNESS FOR A PARTICULAR PURPOSE, ARE EXCLUDED TO THE EXTENT LEGALLY PERMISSIBLE. ANY IMPLIED WARRANTIES THAT MAY BE IMPOSED BY LAW ARE LIMITED TO ONE YEAR, OR THE SHORTEST PERIOD ALLOWED BY LAW. THIS WARRANTY IS LIMITED TO THE ORIGINAL BUYER. Some states and provinces do not allow limitations on the duration of implied warranties of merchantability or fitness, so this limitation may not apply to you. This warranty gives you specific legal rights, and you also may have other rights that vary from state to state or province to province.

LIMITATION OF REMEDIES; EXCLUSION OF INCIDENTAL AND CONSEQUENTIAL DAMAGES

YOUR SOLE AND EXCLUSIVE REMEDY UNDER THIS LIMITED WARRANTY SHALL BE PRODUCT REPAIR OR REPLACEMENT AT OUR DISCRETION AS PROVIDED HEREIN. NEWAGE SHALL NOT BE LIABLE FOR INCIDENTAL OR CONSEQUENTIAL DAMAGES. Some states and provinces do not allow the exclusion or limitation of incidental or consequential damages, so these limitations and exclusions may not apply to you. This warranty gives you specific legal rights, and you also may have other rights that vary from state to state or province to province.

Index

Safe Operating Practices	7
Parts Supplied	12
Tools Needed	13
Product Inspection	13
Product Specifications	14
Installing Grill on NewAge Grill Cabinet/Cart	15
Installing Appliance on NewAge Grill Cabinet	17
Installing Grill on custom built cabinet	18
Assembling the Grill	24
Assembling and Installing the Rotisserie Kit	25
Optional Accessories	27
Gas Connections	32
Leak Testing Instructions	40
Electrical Connections	42
Pre-Grill Checklist	43
Lighting the Grill	44
General Grill Operation and Cooking Procedures	48
Grill Maintenance and Cleaning	52
Replacing Lightbulbs	56
Replacing LED Lights	57
Troubleshooting	58
Exploded View and Spare Parts	61
Wiring Diagram	63
NewAge Customer Service	63

Safe Operating Practices

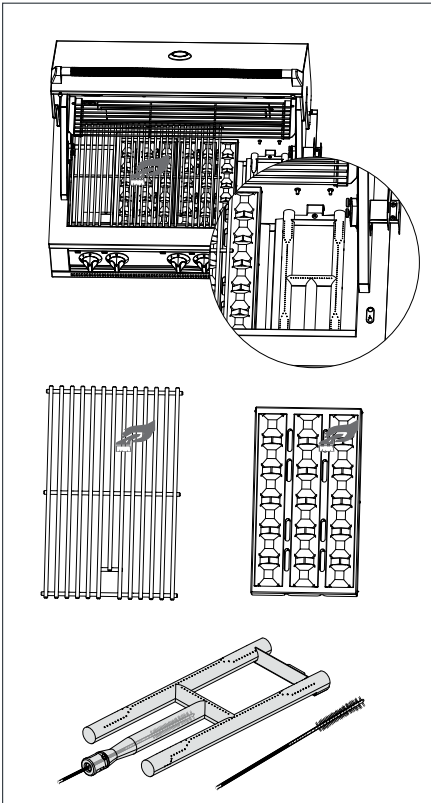
1. NewAge Grill must be assembled and installed according to the instructions in the manual.
2. Read the entire instruction manual prior to operating grill.
3. NewAge Grill must be used outdoors in a well ventilated area, and cannot be used indoors, in a enclosed area such as a garage, gazebo, screened in porch or other similar enclosed area.
4. NewAge grills are not designed or certified for and are not to be installed in or on recreational vehicles, portable trailers, boats.
5. Never use the grill in windy conditions. If located in a consistently windy area, oceanfront, mountaintop, etc., a windbreak will be required. Always adhere to the specified clearances as described in the INSTALLATION section of this manual. **Refer to the page 11 for additional information.**
6. Do not modify the NewAge Grill.
7. Do not operate the NewAge Grill under, or near combustible construction.
8. Maintain proper clearance to combustibles, 18" (457 mm) to rear of unit, 14" (356mm) to sides. Additional clearance of 32" (810mm) is recommended near vinyl siding or panes of glass.
9. Always shut off the main valve on the Propane gas cylinder after each use.
10. Never use dented, rusty or damaged propane cylinders.
11. A spare Propane gas tank cannot be stored below the gas grill.
12. Never attach or disconnect a Propane gas cylinder, or move or alter gas fittings when the grill is in operation or is hot.
13. Use only propane cylinders with a QCC1 type connection.
14. When the propane cylinder is connected to the appliance, the gas grill and cylinder must be stored outdoors in a well-ventilated space.
15. When the gas grill is to be stored indoors, the connection between the propane cylinder and the gas grill must be disconnected and the cylinder removed and stored outdoors in a well ventilated space out of reach of children. Disconnected cylinders must not be stored in a building, garage or any other enclosed area.
16. Inspect the fuel supply hose before each use. If there is evidence of excessive abrasion or wear or the hose is cut, it must be replaced prior to using the gas grill with a replacement hose assembly specified by the grill manufacturer.
17. Leak test the unit before initial use, annually, and whenever any gas components are replaced. **Refer to page 9 for additional information.**
18. Use only a Ground Fault Interrupter (GFI) protected circuit with this outdoor cooking gas appliance.
19. Follow lighting instructions carefully when operating grill.
20. Burner controls must be off when turning supply cylinder valve on.
21. The grill hood must be fully opened while lighting the grill. Failure to do so will risk an explosion, and personal injury or death.
22. Never lean over the grill and keep face away from grill when lighting.
23. Never let your gas hose touch your burner box. **Refer to page 10 for additional information.**
24. Don't push the electrical cable into grill enclosure. **Refer to page 10 for additional information.**
25. Always use a covered hand when opening the grill lid and only do so slowly to allow heat and steam to escape.
26. Do not leave grill unattended when operating.

Safe Operating Practices

27. Do not use aluminum foil to line drip pans or grill grates or radiants. This can severely upset combustion air flow or trap excessive heat in the control area. The result of this can be melted knobs or damaged ignition components.
28. Adults and children should be instructed on the hazards of high surface temperatures. Never leave children unsupervised around the NewAge Grill.
29. Never touch the grill racks, hood or immediate surrounding metal surfaces with your bare hands while grilling.
30. The NewAge Grill must be cooled before it is covered. Never place the cover on when cooking or while hot.
31. Keep all electrical cords and gas supply lines away from heated surfaces.
32. Never grill without the drip pan installed. Hot grease can leak down and produce a fire or explosion.
33. Clean grease trays regularly to prevent grease fires. **Refer to page 9 for additional information.**
34. Spiders and insects like to nest in the burners, venturis, valves and orifices of a grill, disrupting the gas flow. This very dangerous condition can cause a fire behind the control panel, damaging the grill and risking personal injury. If your grill has been unused for a long time, inspect and clean the burners, venturis, valves and orifices.
35. Clean the grill with caution. Avoid steam burns; do not use a wet sponge or cloth to clean the grill while it is hot. Some cleaners produce noxious fumes or can ignite if applied to a hot surface.
36. Do not locate, store or operate the grill on an inclined plane. If you are using a grill cart, make sure you lock the castor wheels before operating the grill.
37. Do not use charcoal or lighter fluid in the grill. Only use charcoal with the NewAge charcoal tray accessory (Sold separately).
38. Do not move the appliance during use.
39. Do not use a power washer to clean the NewAge Grill.
40. Always have an ABC Fire Extinguisher accessible — never attempt to extinguish a grease fire with water or other liquids.
41. All gas lines must have a shut-off that is readily and easily accessible. If you smell gas, check for gas leaks immediately. Check only with a soap and water solution.
42. Never remove the grounding prong from the plug or use this product with an ungrounded, 2-prong adapter.
43. For personal safety, wear proper apparel while barbecuing.
44. Do not use the grill for cooking excessively fatty meats or products, which promote flare-ups. To Control flare-ups, adjust the controls to lower the temperature. If your grill flare-up is out-of-control, turn off the burners. Don't use water to put out flare-ups. Spraying water on a flare-up can cause grease to explode.

Note: THIS MANUAL MUST REMAIN WITH THE PRODUCT OWNER FOR FUTURE REFERENCE

Safe Operating Practices



Regularly clean the grill components to prevent flare-ups and grease fires

Just like the cooking appliances in your home, your NewAge Grill needs to be regularly cleaned and maintained to operate at peak performance. This not only produces tastier, healthier food, but it reduces the chance of dangerous flare-ups or grease fires.

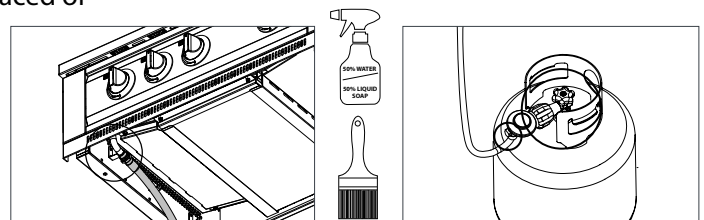
Here are the key areas to keep clean:

1. Remove cooking grates and scrape excess food particles with a BBQ brush after every use. For a deep clean, soak and scrub with dish soap and water a few times per season.
2. Pull out the grease tray after every use and scrape off any grease or food chunks. Wash with dish soap and water to keep it clean.
3. Your briquette trays will accumulate a lot of burnt on sauces and grease drippings. Remove residue from the tray with a scraper, and use a wire brush to clear debris from the briquettes.
4. Burners that aren't used frequently can get blocked by spiders who are drawn to the gas smell, and build webs inside the burner tubes. Use a wire-brush to clean the inside of the burners and remove debris from the outside of the burners.
5. Scrape down the interior of your burner box at least once a season to remove carbon build-up. Scoop or vacuum out the debris, reinstall all components and enjoy a much cleaner grilling experience.

Test your hose connections for gas leaks

Gas leaks are a serious issue that can be easily avoided by doing a quick and simple leak check annually, or whenever gas components are replaced or serviced.

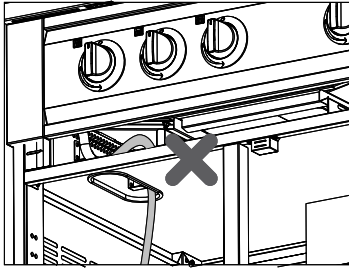
1. Ensure that all grill control knobs are in the off position.
2. Turn on the fuel supply,
For Propane Gas
Turn the cylinder valve knob counterclockwise 1 full rotation.
3. Brush or spray a half-and-half solution of liquid soap and water onto all joints and connections of the regulator, hose, manifolds and valves.
4. Bubbles will indicate a gas leak. **IMMEDIATELY** turn off the gas supply and do not use the grill until contacting a licensed gas fitter to replace faulty parts and NewAge customer service.



! WARNING

The leak test must be done before initial use, annually, and whenever any gas components are replaced or serviced. Do not smoke while performing this test and remove all sources of ignition. See Leak Testing Diagram for areas to check. Never conduct a leak test using fire or flame. Sparks or open flames will result in a fire or explosion, damage to property, serious bodily injury or death.

Safe Operating Practices

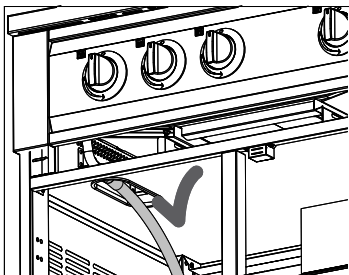


Never let your gas hose touch your burner box

The underside of your grill gets incredibly hot. Pushing your excess gas line into the cavity below your grill, or coiling it beneath the burner box can melt the exterior coating of the gas hose and cause a fire.

Whether your grill is connected to a propane tank, take these steps to make sure your hose is positioned safely:

1. Ensure your grill is **off** and **cooled down**.
2. Kneel down and look in the cavity for the hose at the left-hand side of the grill.
3. If the hose is bunched up, or touching the firebox, pull the gas hose from the bottom of the cabinet until any excess line is removed.
4. Check the hose for signs of melting or damage. If the damage has occurred, or you are unsure of how to check, contact [Customer Support Team > 1-877-306-8930; or support@newageproducts.com](mailto:support@newageproducts.com)

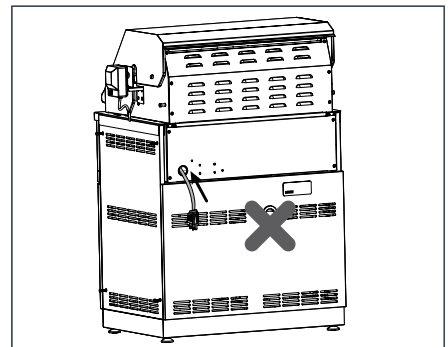
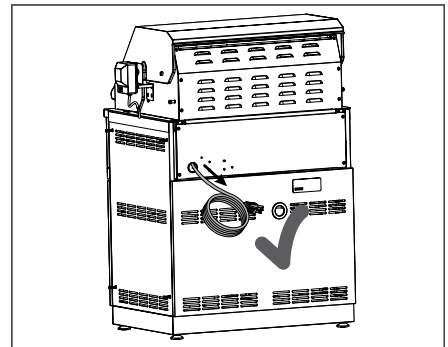


Don't push the electrical cable into grill enclosure

NewAge Grills are equipped with LED lighting on the control knobs and grill interior, powered by an electrical cable on the rear of the unit. **It's very important not to push any excess cable into the hole at the back of the grill.**

The grill enclosure gets extremely hot. Storing the cable in this manner can cause it to bunch up and touch the underside of the burner box, which can melt the electrical cable and become a serious hazard.

1. Locate the electrical cable on the back of your grill.
2. Ensure the excess cable is not pushed into the hole at the back of the grill, and is fully extended outside the grill.
3. If the cable was inside the unit, pull the cable out and check for any damage on the cord.
4. If you notice that your cable is damaged, call [Customer Support Team > 1-877-306-8930; or support@newageproducts.com](mailto:support@newageproducts.com)

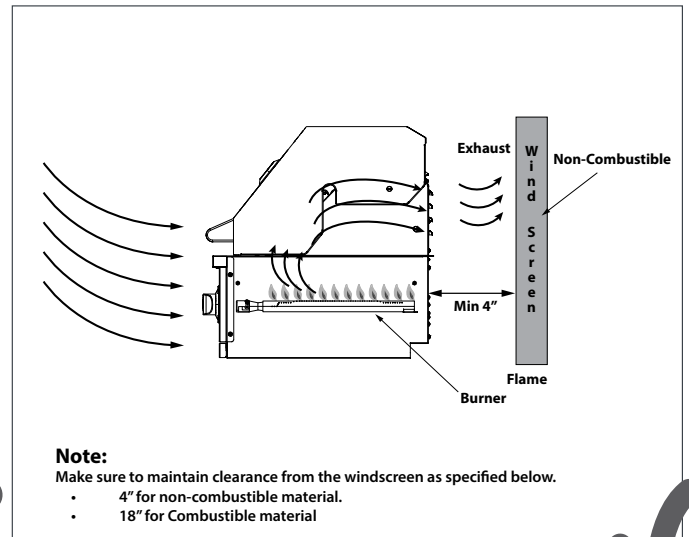
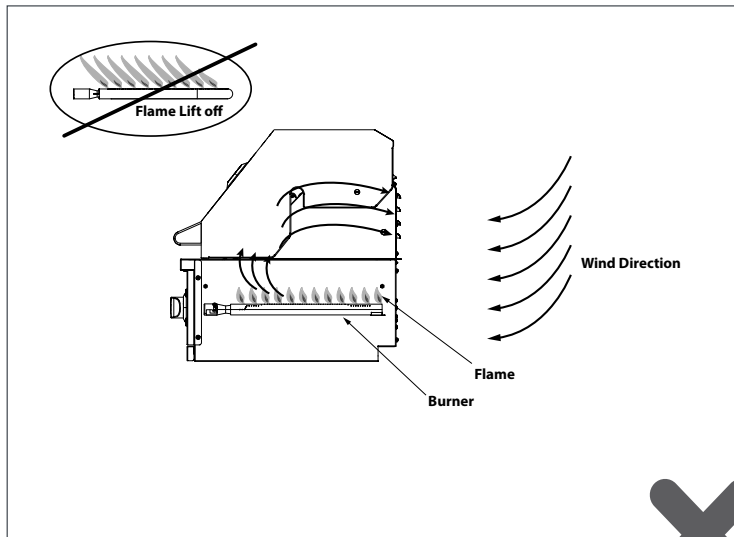


Safe Operating Practices

Grilling in windy conditions

⚠ WARNING

Using your grill in windy conditions may disrupt the front-to-back airflow. If, while grilling with all burners on high and the hood closed, you notice that the temperature gauge fails to rise.....be careful. If wind has kept hot gases from exiting the rear of the grill the control panel and knobs may have become extremely hot.



Note:
Make sure to maintain clearance from the windscreen as specified below.

- 4" for non-combustible material.
- 18" for Combustible material

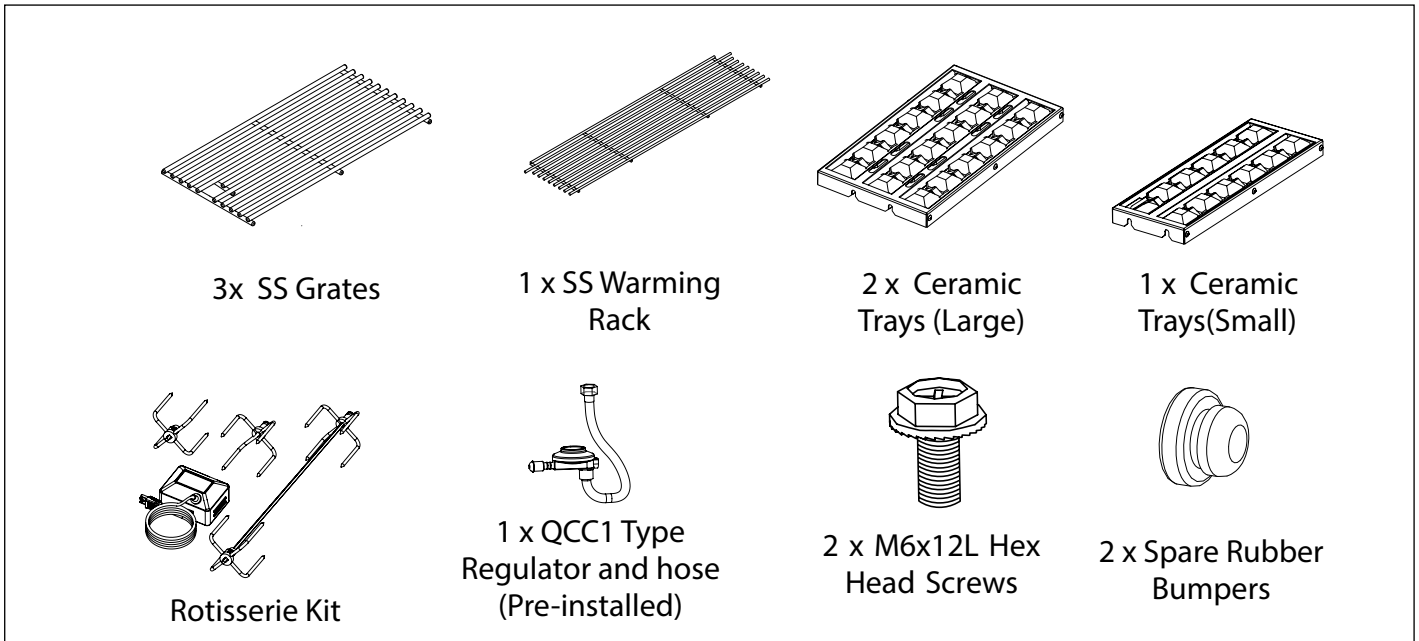
During the high wind conditions, it is best if you don't use your grill. If located in consistently windy area (oceanfront, mountaintop, etc.) a wind break will be required. Always adhere to the specified clearances as defined in the "Installation Manual".

⚠ Note

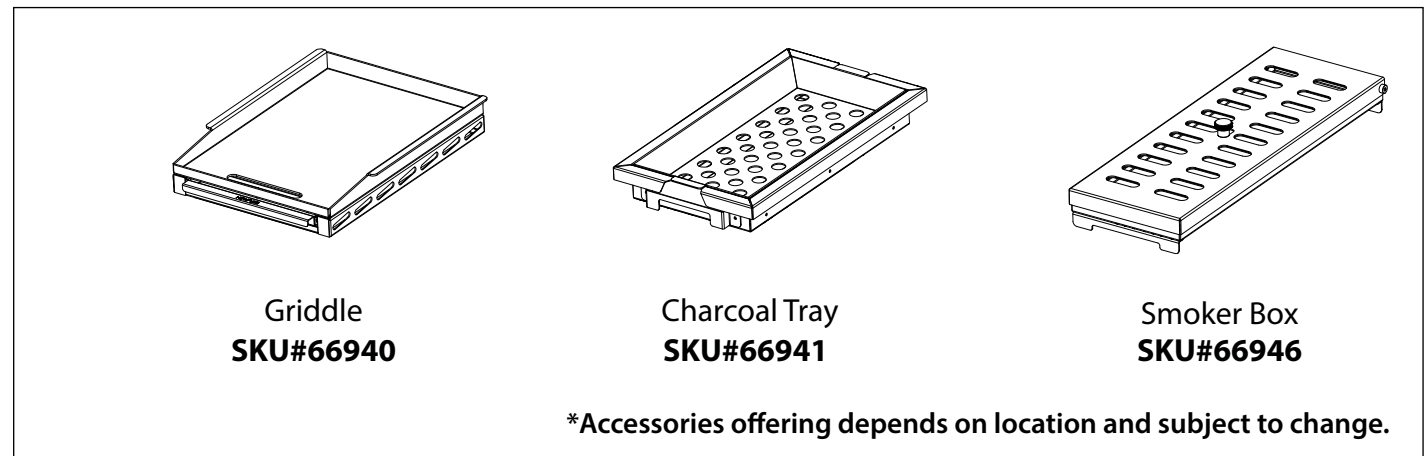
Any damage caused from use in windy conditions, such as melted knobs or igniter wires, or control panel discoloration from heat buildup, is excluded from warranty coverage.

Parts Supplied

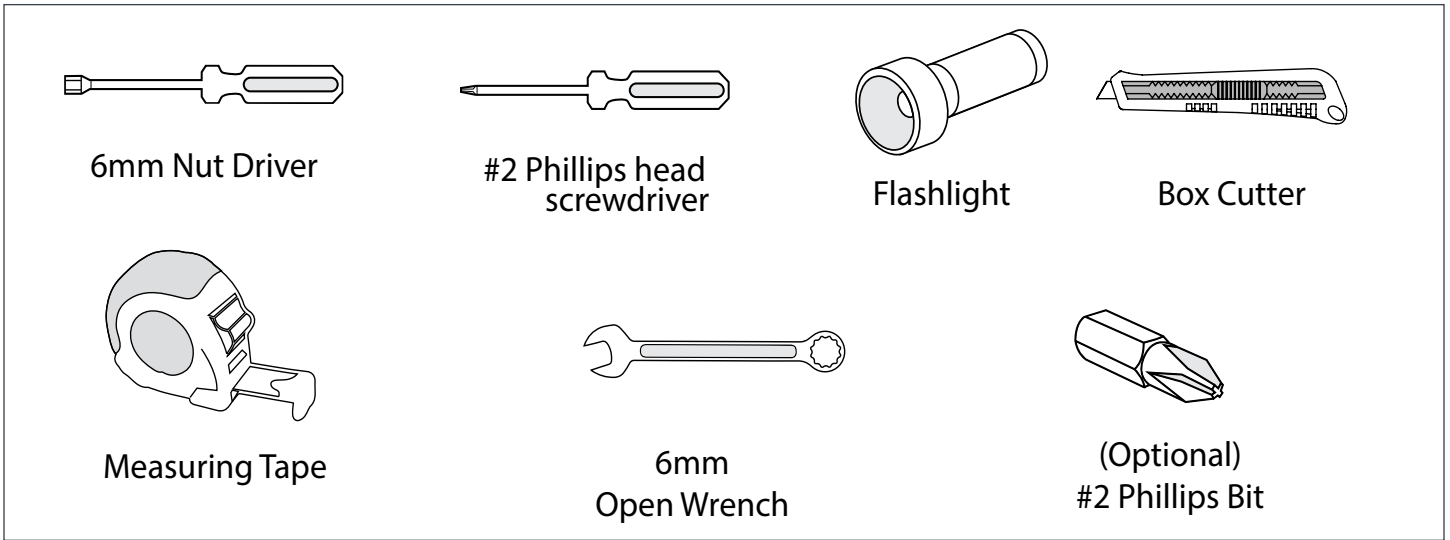
Main Grill Parts and Accessories



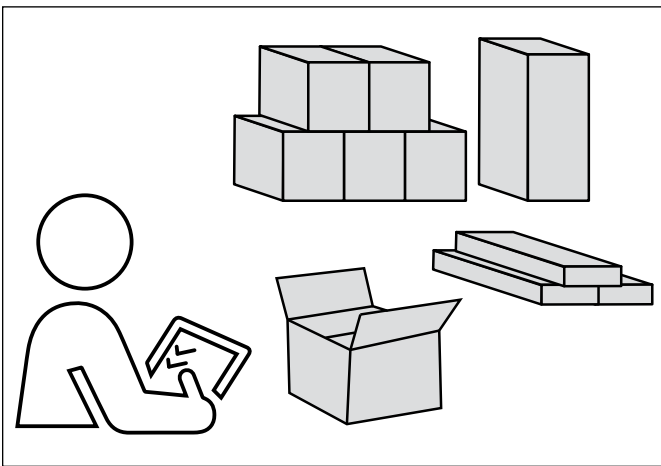
Optional Accessories



Tools Needed

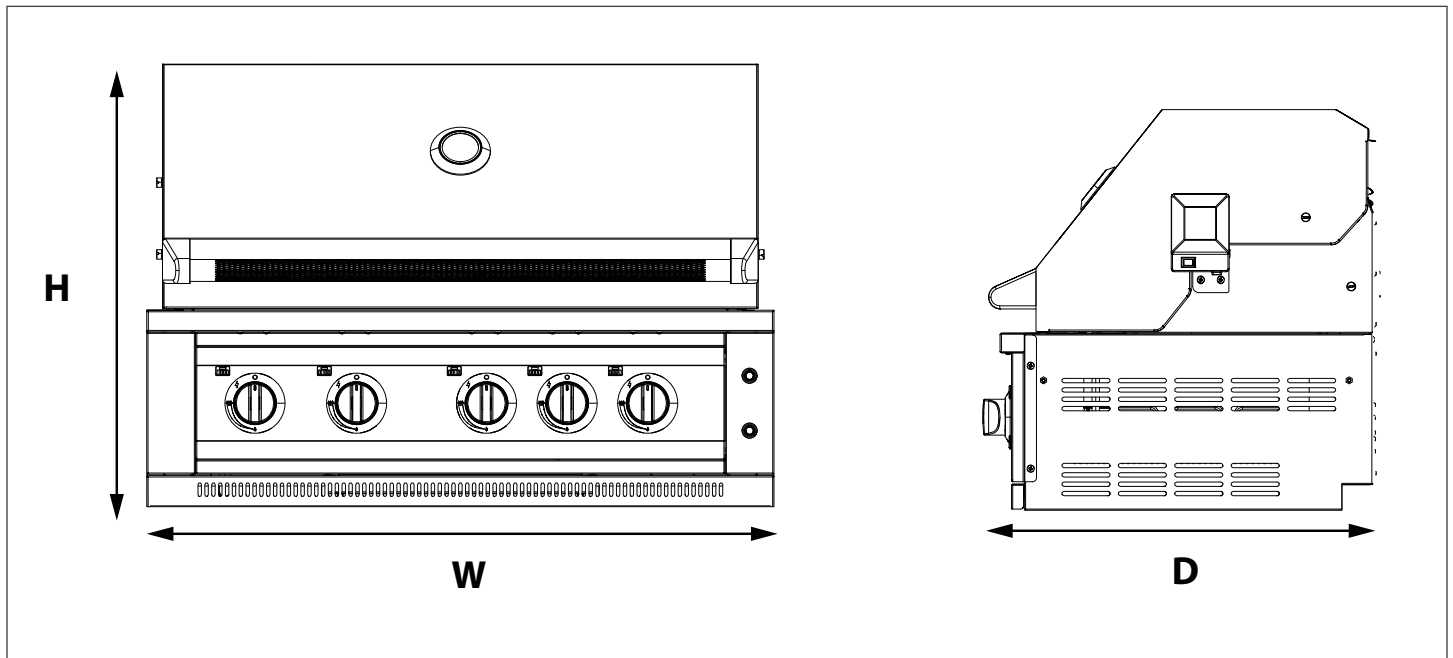


Product Inspection



- Check to see all parts are received as per the order placed.
- Contact NewAge Products at 1-877-306-8930; for any missing parts.
- Inspect the products for any damages before starting the installation.
- Go through the installation instructions carefully before starting the installation.

Product Specifications



NewAge Platinum 36" Grill

Dimensions

Width (W)	36"
Depth (D)	24.2"
Height (H)	25.3"

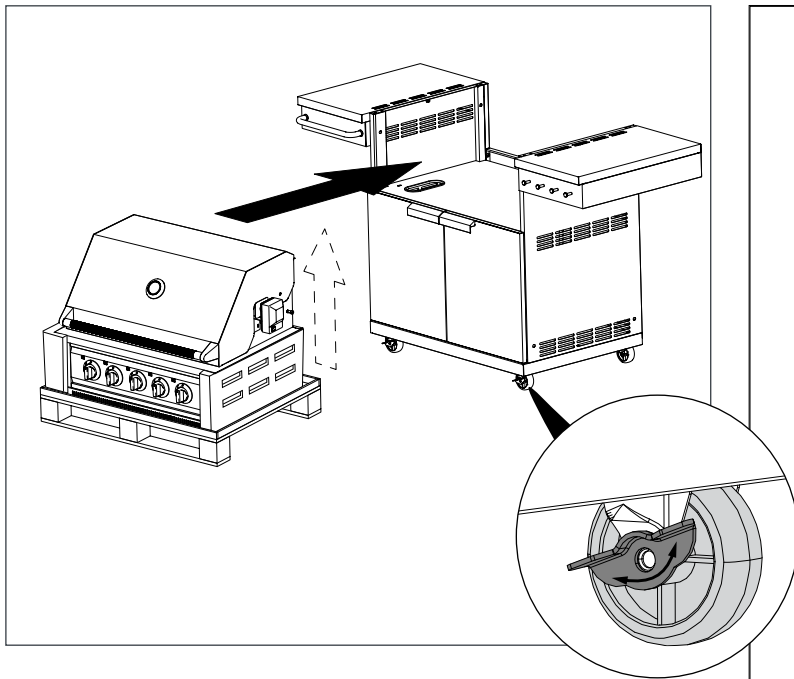
Details

Material	Stainless Steel	Main Grilling Area	559 Square inch
Primary Burner BTU	16,000 BTUs x 2 12,000 BTUs x 1	Warming Rack Area	191 Square inch
Sear Burner	15,000 BTUs	Cutout Width	34.5"
Rotisserie Burner	13,500 BTUs	Cutout Depth	22.3"
Fuel Type	Propane gas	Cutout Height	11.2"
Total Power Output	72,500 BTUs	Net Weight	124.1Lbs

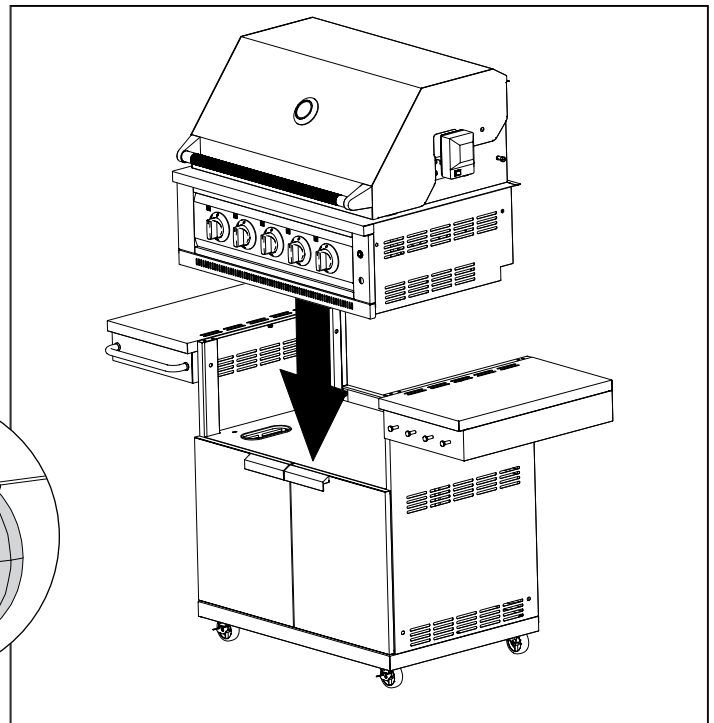
Installing Grill on NewAge Grill Cabinet/Cart

For more detailed instructions on installation steps, refer to the NewAge Grill Cabinet/ Cart installation guide.

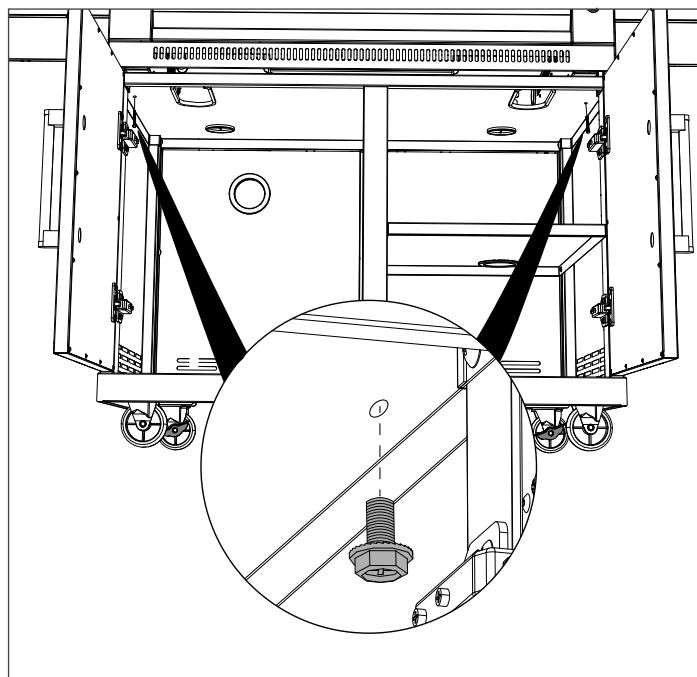
- 1** Lock the Casters (if applicable). Pick the grill from the shipping pallet, and place it onto the Cabinet/Cart directly.



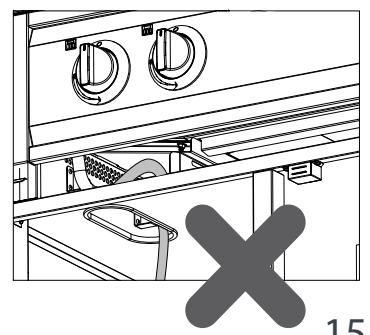
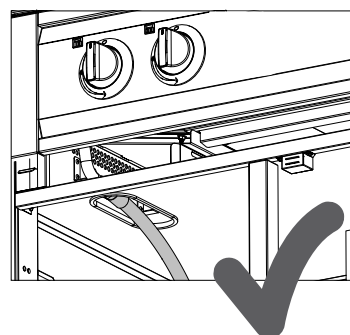
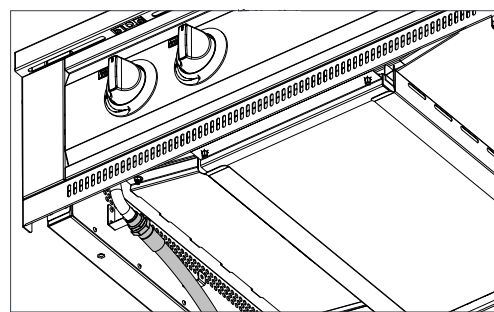
NOTE: When you are ready to install the appliance, place it directly onto the Cabinet/ Cart.
DO NOT place the appliance on floor or flat surface.



- 2** Secure grill to Cabinet/Cart by inserting two M6x12mm screw supplied with NewAge Cabinets/Carts from the bottom.

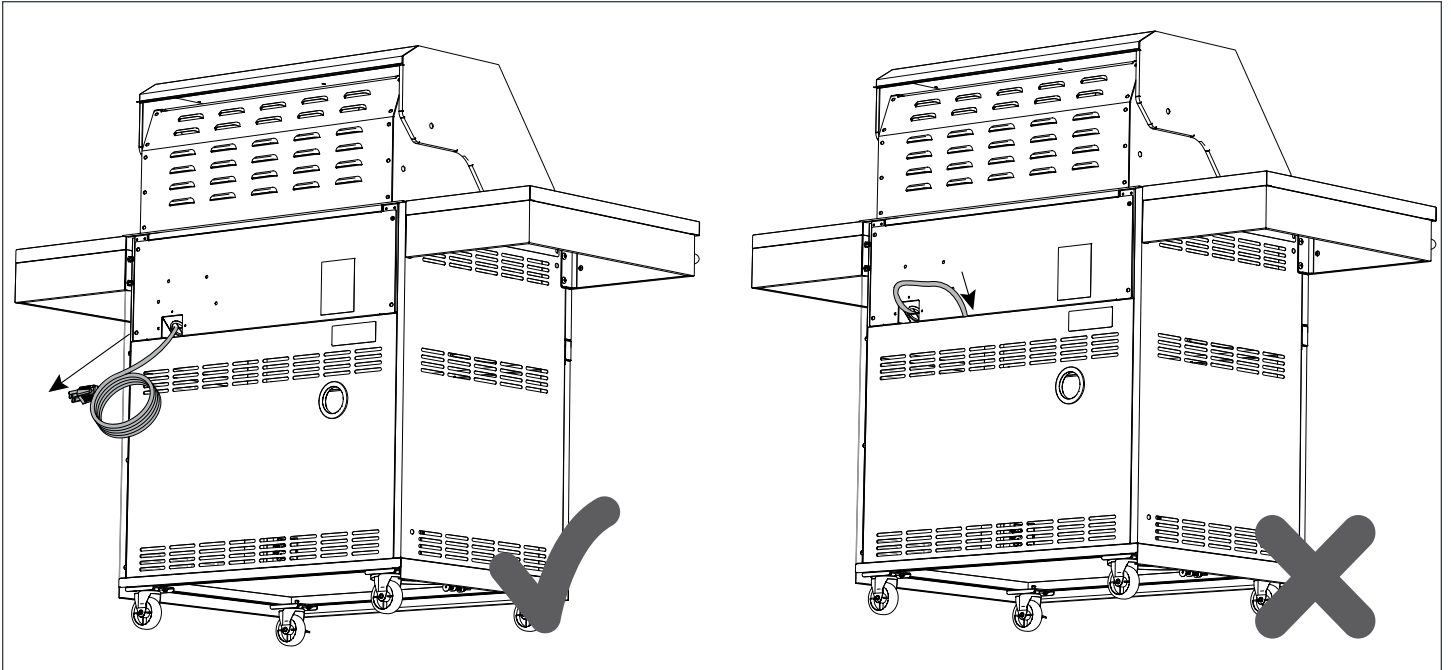


- i** While connecting the gas hose to the grill, make sure the hose is not bunched up below the grill.

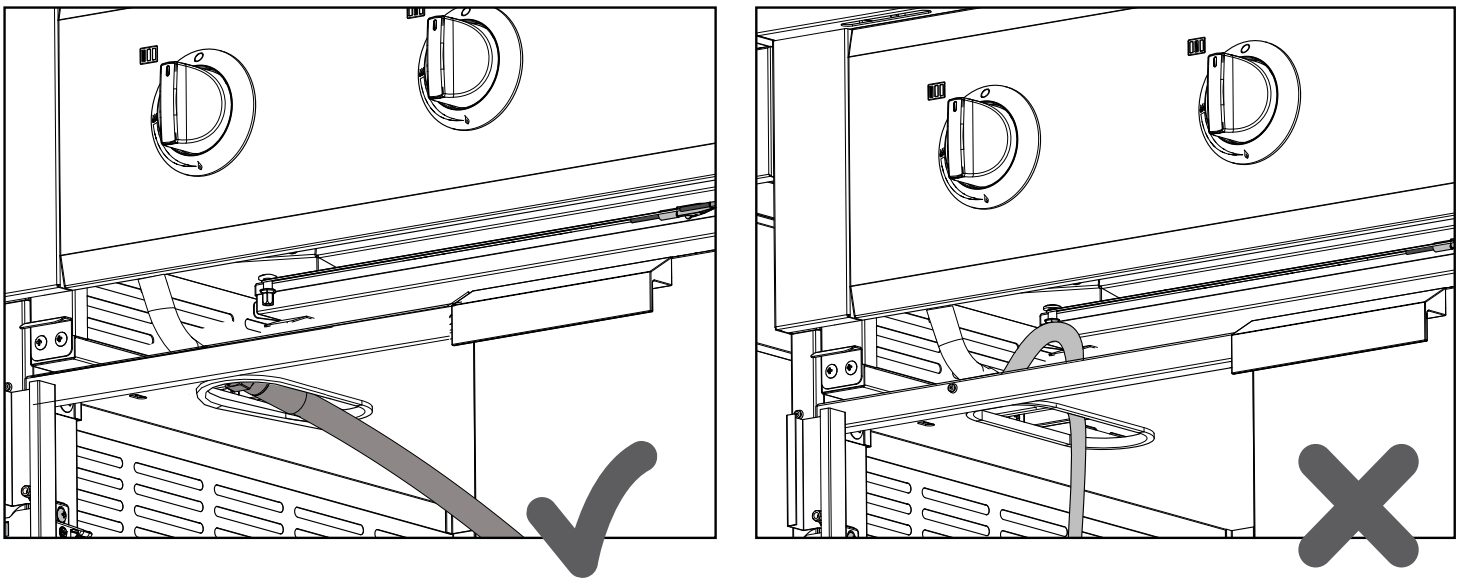


Installing Grill on NewAge Grill Cabinet/Cart

NOTE: Route the Power cable outside the cart back panel. **DO NOT** route the cable through underneath the Grill. (Applicable to Grill Cabinets and Carts both)

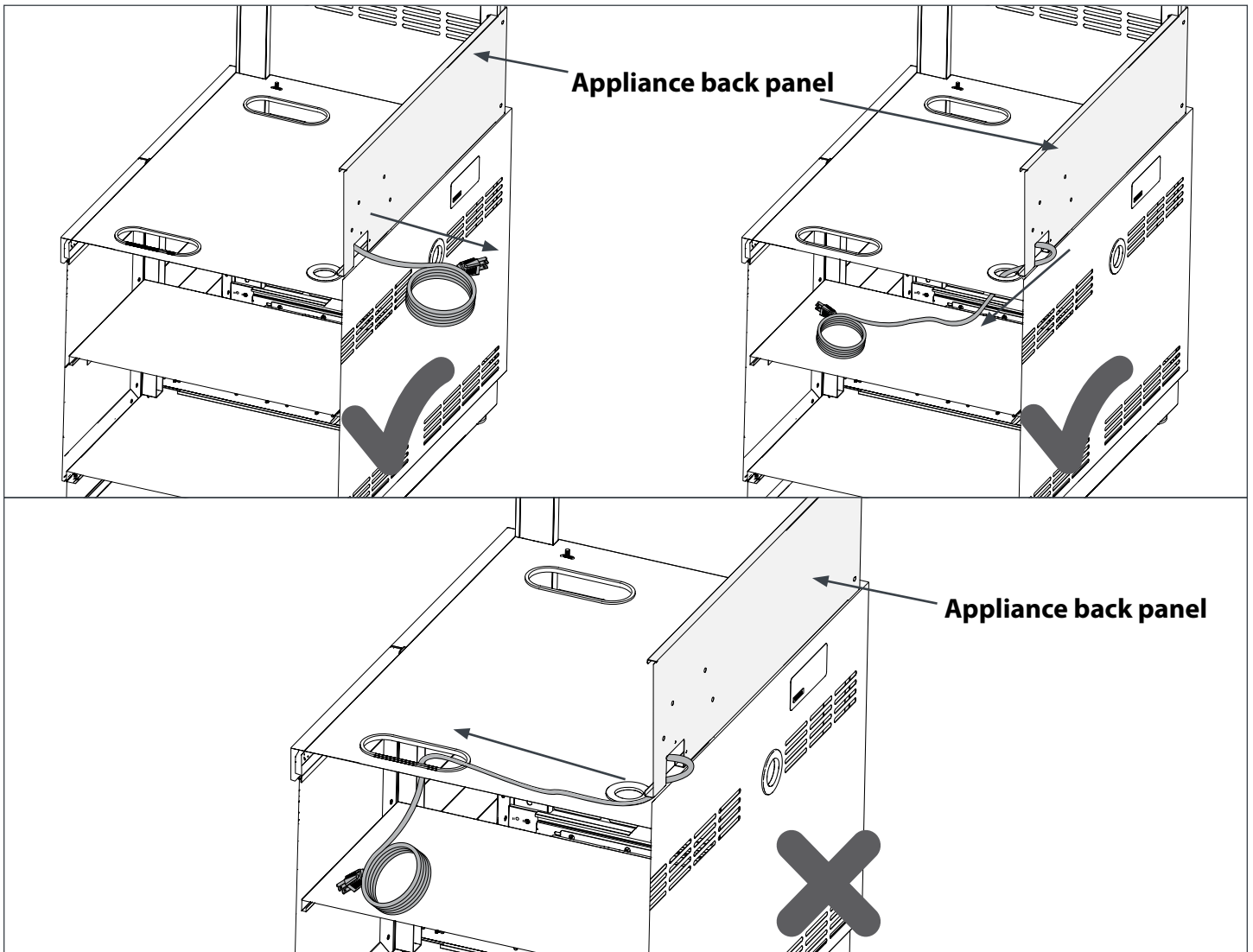


NOTE: While connecting the gas hose to the grill, make sure the hose is not bunched up below the grill. (Applicable to Grill Cabinets and Carts both)



Installing Appliance on NewAge Grill Cabinet

NOTE: Route the Power cable outside the cabinet back panel. **DO NOT** route the cable through underneath the Grill. (Applicable to Grill Cabinets and Carts both)



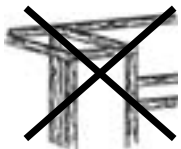
Installing Grill on custom built cabinet

The installation must conform with local codes or, in the absence of local codes, with the National Fuel Gas Code, ANSI Z223.1/NFPA 54, Storage and Handling of Liquefied Petroleum Gases, ANSI/NFPA 58; or Natural Gas and Propane Installation Code, CSA B149.1; Propane Storage and Handling.

⚠ CAUTION

1. If you want to connect the appliance to fixed fuel piping system, and have any questions about the installation, contact "NEWAGE Product Inc", call Customer Support Team >1- 877-306-8930; or support@newageproducts.com
2. The warranty of the product may be voided if the installation deviates from the installation instructions provided in this manual.

⚠ WARNING



Cabinet frame, cabinet side panels and counter top must be made from non-combustible material.

⚠ WARNING



A propane tank can not be stored below the gas grill. Only one 20 lbs tank in service should be used with the grill.

⚠ WARNING

1. DO NOT store or use products with flammable liquids or vapors in the vicinity of the NewAge Grill Cabinet, NewAge Outdoor Kitchen cabinets or any appliances.
2. DO NOT store a spare Propane gas cylinder in or near the NewAge Grill Cabinet, NewAge Outdoor Kitchen Cabinets, or any other appliances.

CLEARANCES:

TO NON-COMBUSTIBLE CONSTRUCTION

A minimum of 4" (10 cm) clearance from the back of the grill to non-combustible construction is required to allow the hood to be opened fully.

TO COMBUSTIBLE CONSTRUCTION

This appliance should NOT be installed over, under or next to unprotected combustible construction. A minimum clearance to vertical and rear combustible material is 18" (45 cm) and 14" (36cm) on the sides.

The minimum vertical clearance to combustible materials means that ALL combustible materials must be outside this 18" (45cm) zone. As an example, if you have an island with a stucco or tiled surface and wood-frame construction beneath, the wood is considered combustible, even though the grill is touching the stucco or tile surface, which is non-combustible. In extreme circumstances, the wood could potentially get hot enough to burn.

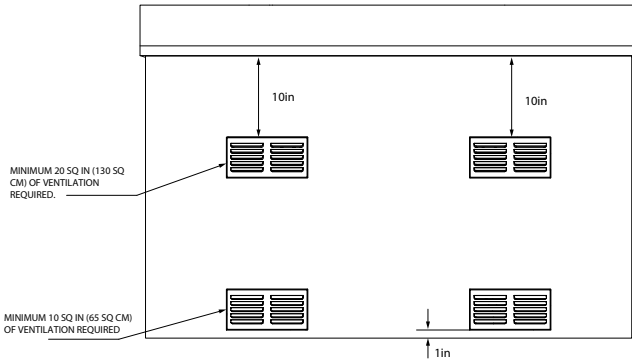
VENTILATION OPENINGS

A minimum of three 10 in² (65 cm²) of ventilation openings must be provided at the bottom of both left and right sides of your enclosure (island), as well as the back side. A minimum of three 20 in² (130 cm²) of ventilation openings must be provided at the top of both left, right and back sides of your enclosure (island) where the top of the opening aligns with the bottom of the grill cut-out. These openings are required to safely dissipate gas vapors if there is a leak in your enclosure.

Installing Grill on custom built cabinet

Layout for Non-combustible enclosure

Configuration Example 1: With closed cutout bottom




Back View

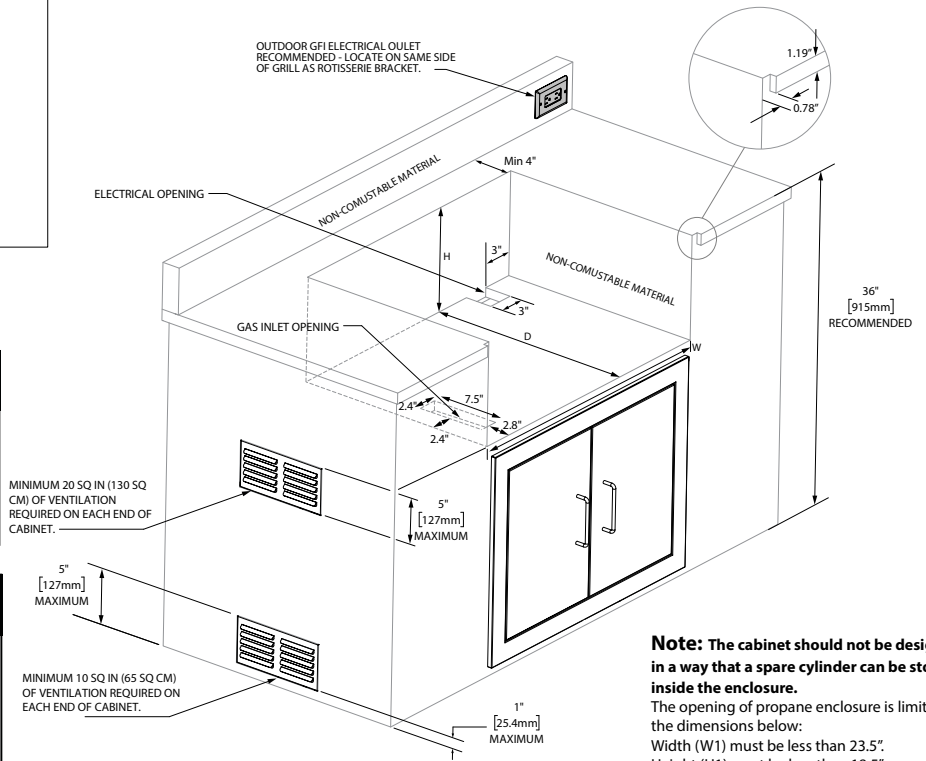
⚠ WARNING

- The upper vent opening must be at least 20 square inches for a 20 lb(9.1Kg) propane cylinder.
- The lower vent opening must be at least 10 square inches for a 20 lb(9.1Kg) propane cylinder.

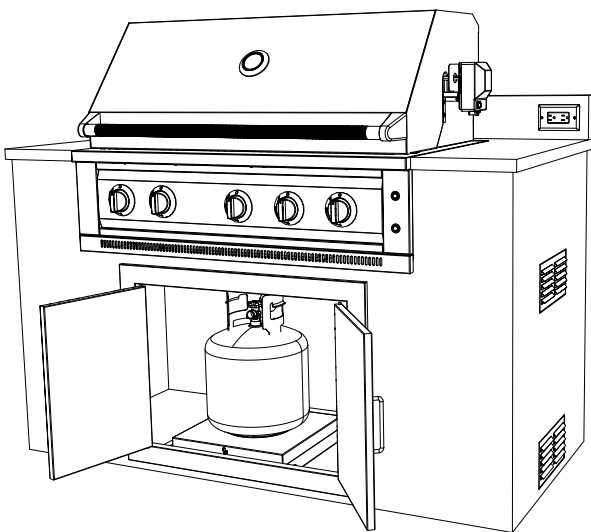
⚠ WARNING



A propane tank can not be stored below the gas grill. Only one 20 lbs tank in service should be used with the grill.



Note: The cabinet should not be designed in a way that a spare cylinder can be stored inside the enclosure. The opening of propane enclosure is limited to the dimensions below:
Width (W1) must be less than 23.5".
Height (H1) must be less than 18.5".



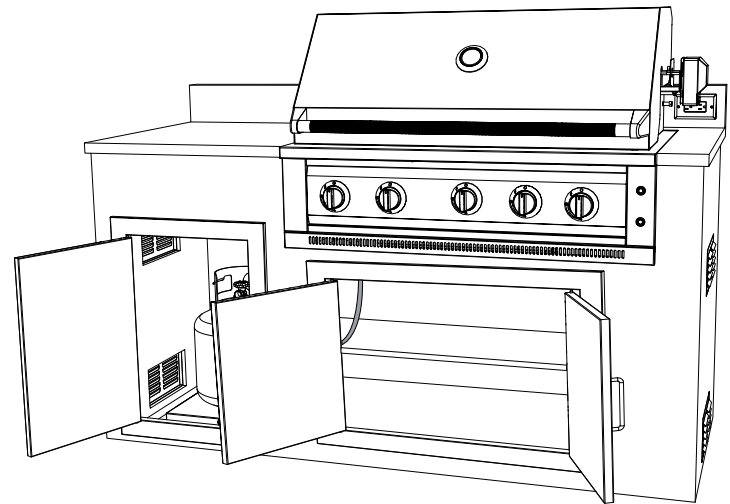
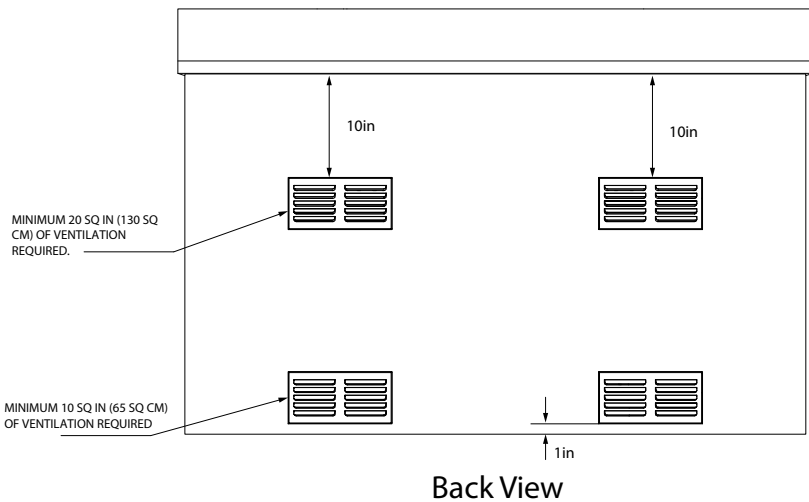
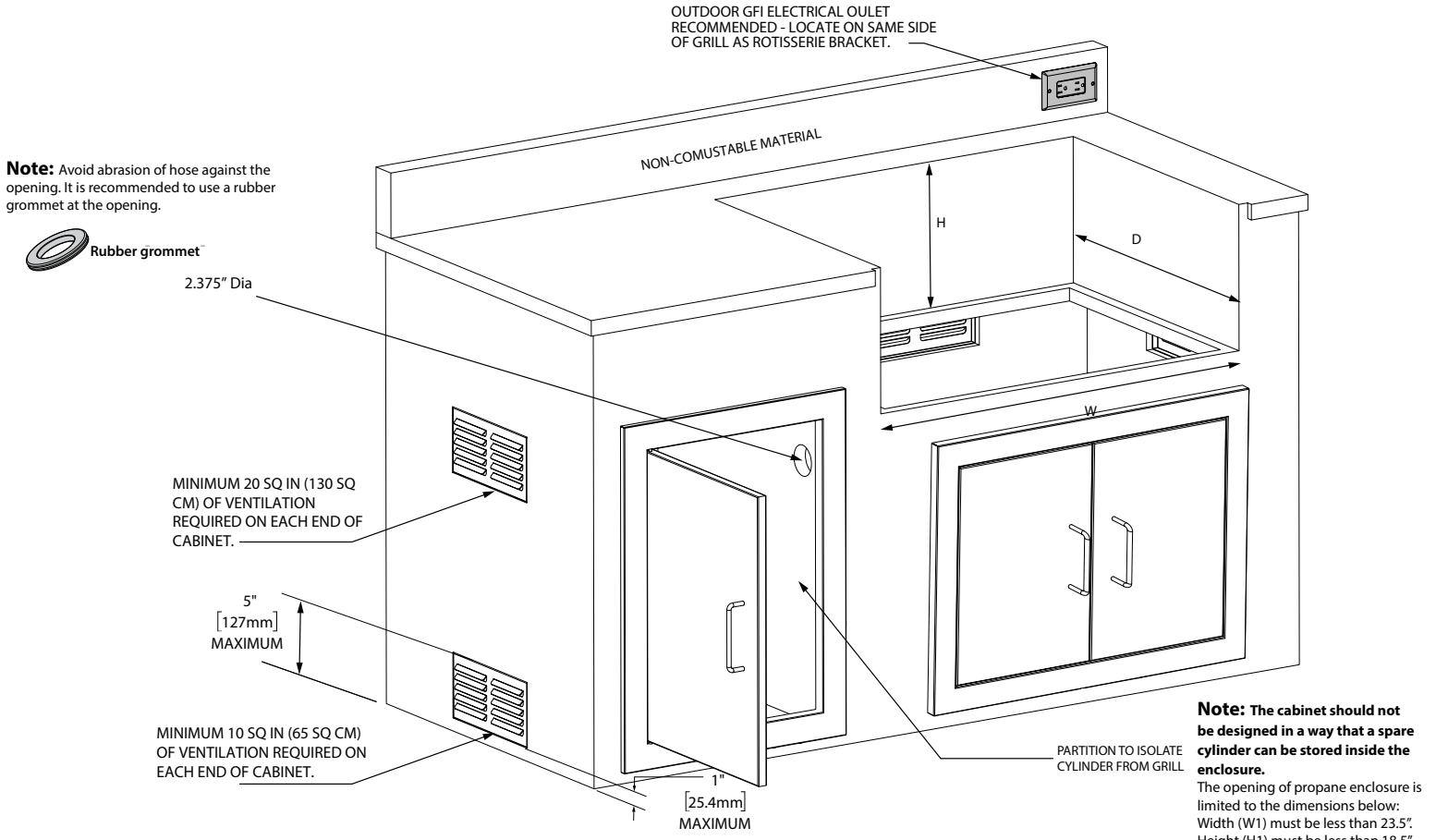
propane tank must be secured to the built-in cabinet inside the cylinder enclosure.

Cutout Dimensions				
	SKU	W	D	H
33" Grill	66900	31.5"	22.3"	11.2"
	66910			
36" Grill	66903	34.5	22.3"	11.2"
	66913			
40" Grill	66901	38.5"	22.3"	11.2"
	66911			
DSB	66902	15.3"	22.4"	11.3"
	66912			

Note: These illustrations are for reference purpose only. Actual built-in cabinets and installation may differ.

Installing Grill on custom built cabinet

Layout for Non-combustible enclosure Configuration Example 2: With open cutout bottom



propane tank must be secured to the built-in cabinet inside the cylinder enclosure.

Installing Grill on custom built cabinet

Propane gas Cylinder Connections

Make sure the Propane gas cylinder valve is fully closed. It is possible for the valve to be open without releasing gas but, as soon as you start connecting the regulator, gas will leak from the connection.

Insert the regulator inlet into the cylinder valve and turn the black coupler nut clockwise until the coupler nut is hand tight. Do not over-tighten this connection. See Figure 1 & 2.

To disconnect the coupler nut, first make sure the main cylinder valve is turned off. Grasp the coupler nut and turn counter clockwise. The inlet will then disengage.

Always leak-test the connection after refilling or exchanging Propane gas cylinders.

Dust Cap - Place dust cap on cylinder valve outlet whenever the cylinder is not in use. Only install the type of dust cap on the cylinder valve outlet that is provided with the cylinder valve. Other types of caps or plugs may result in leakage of propane.)

Propane cylinder must include a collar to protect the cylinder valve.

For an outdoor cooking gas appliance provided with a connection other than a No. 600. :“Turn off LP supply at cylinder when appliance is not in use.”

For an outdoor cooking gas appliance provided with a No. 600 Connection :“The LP gas supply cylinder must be disconnected when this appliance is not in use.”

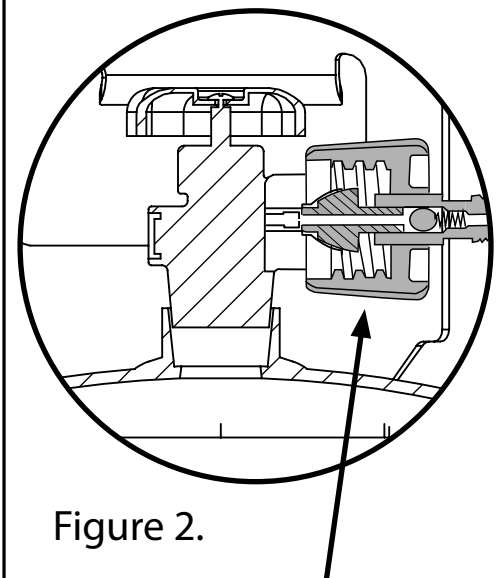
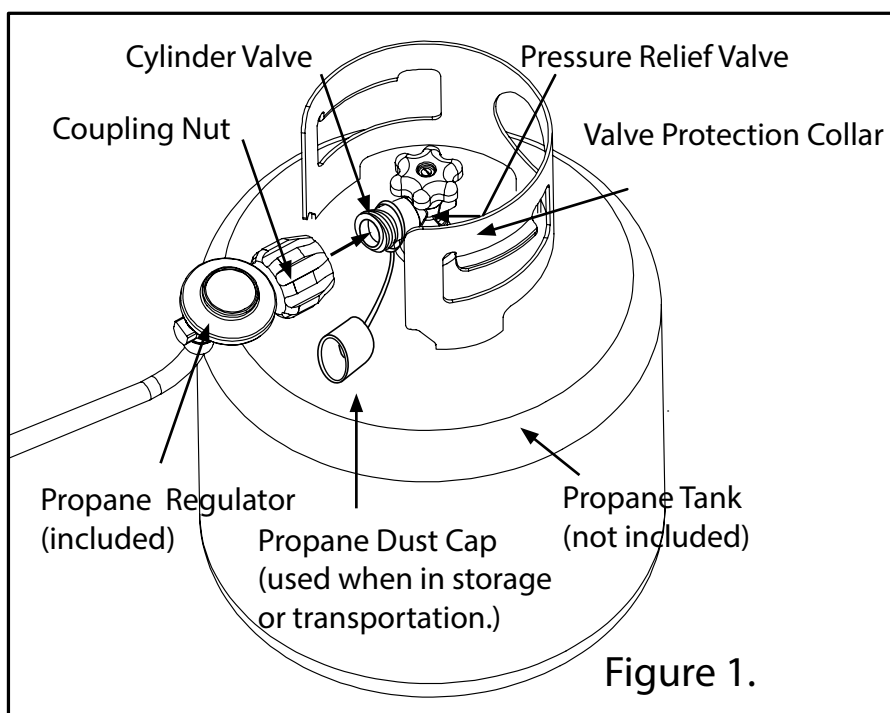


Figure 2.

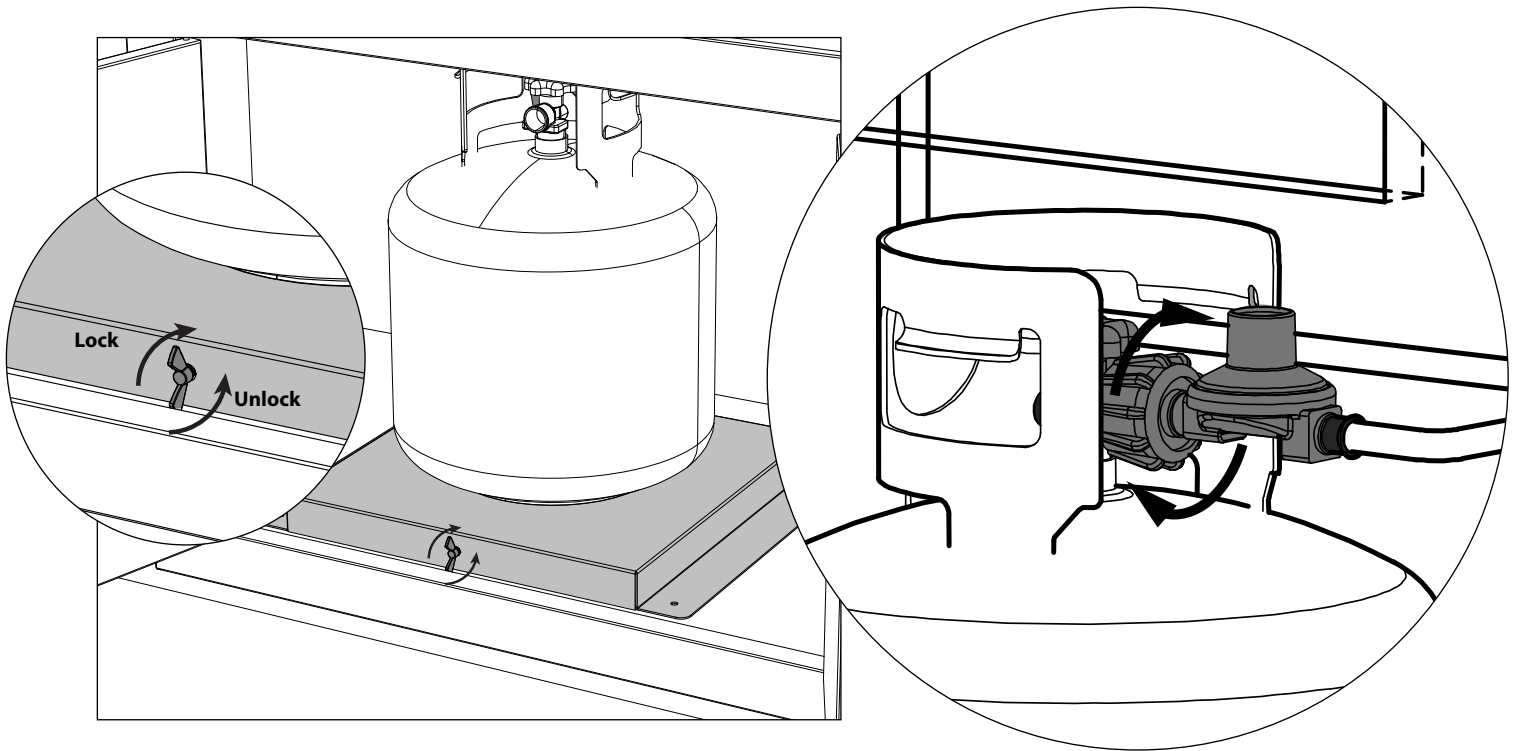
Hand tighten to ensure proper seal for correct gas flow.

Note: The maximum length of the gas connection shall be 6 ft (1.82 m).

Installing Grill on custom built cabinet

! WARNING

The appliance, when installed, must be electrically grounded in accordance with local codes or, in the absence of local codes, with the National Electrical Code, ANSI/NFPA 70, or the Canadian Electrical Code, CSA C22.1.



propane tank must be secured to the built-in cabinet inside the cylinder enclosure.

! WARNING

- This grill is designed for non-combustible enclosures only. As indicated on the rating plate, this gas grill is designed to operate with supply pressure of 11" WC for Propane.
- This appliance is certified to be used with 20 Lbs Propane tank.
- If the gas supply pressure is lower than these requirements, the unit will be under-fired and will not reach the maximum temperatures.
- Ensure that the supply line size complies with local and/ or national installation codes.
- If you want to connect the appliance to fixed fuel piping system, and have any questions about the installation, contact "NEWAGE Product Inc", call Customer Support Team > 1-877-306-8930; or support@newageproducts.com
- The warranty of the product may be voided if the installation deviates from the installation instructions provided in this manual.

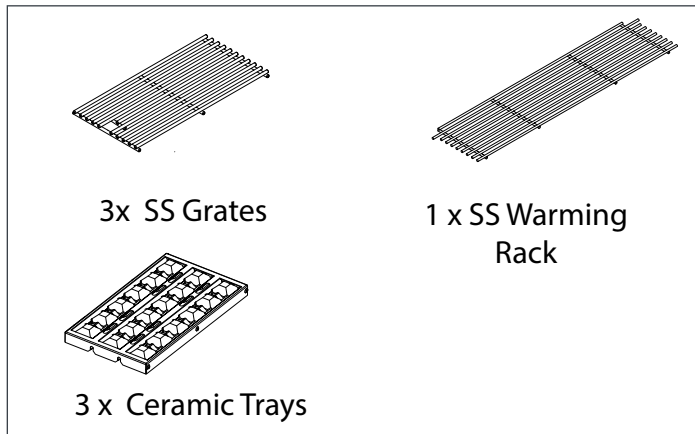
Installing Grill on custom built cabinet

Propane Cylinder Specifications

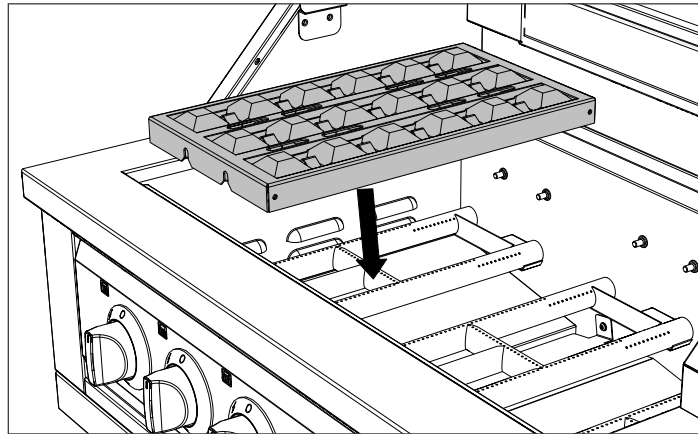
- Any L.P gas supply cylinder used with this grill must be appropriately 12 inches diameter and 18 inches high. The maximum fuel capacity is 80% and is approximately 20 pounds of propane.
- The L.P. cylinder must have a shut-off valve terminating in a Type 1 L.P.
- A Type 1 compatible cylinder with a Type 1 cylinder valve has a back-check valve which does not permit gas flow, until a positive seal has been obtained.
- The cylinder must be arranged for vapor withdrawal. It must also include a collar to protect cylinder valve. A safety relief device having direct communication with the vapor space of cylinder must be provided. This will expel high pressure gas if the cylinder is overfilled or overheated which could result in fire or explosion.
- Read labels on the L.P. Gas Supply Cylinder.
- New cylinders are always shipped empty for safety.
- Allow only licensed L.P gas dealers to fill or repair your L.P gas supply cylinder.
- Inform the gas dealer if it is a new or used cylinder to be filled.
- After filling, have the gas dealer check for leaks and to see that the relief valve remains effective and in good repair.

Assembling the Grill

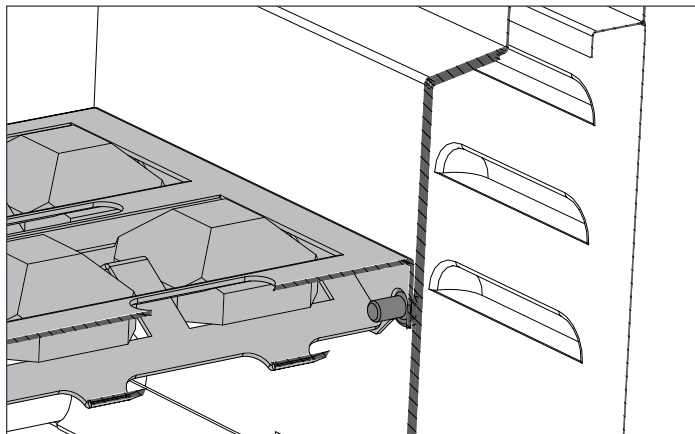
i Tools and Parts needed.



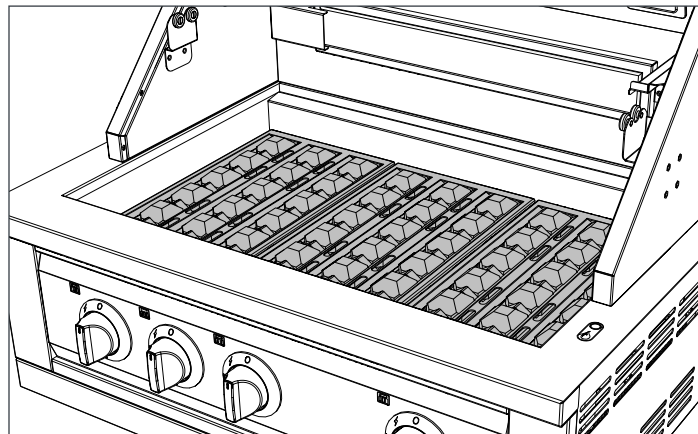
1 Install Briquette tray on top of the burner.



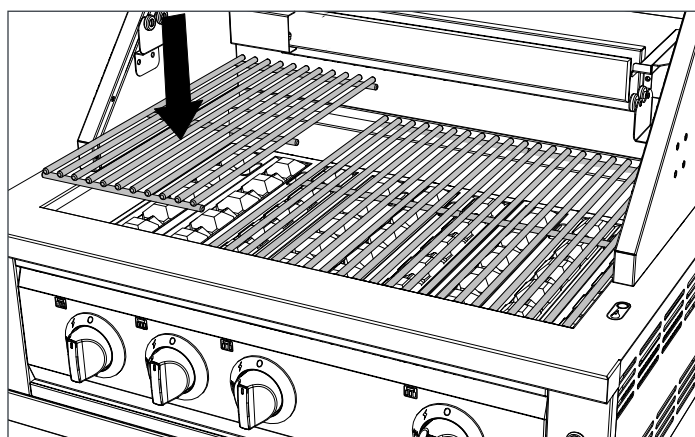
2 Make sure the briquette tray sits properly on the dowel pins as shown below.



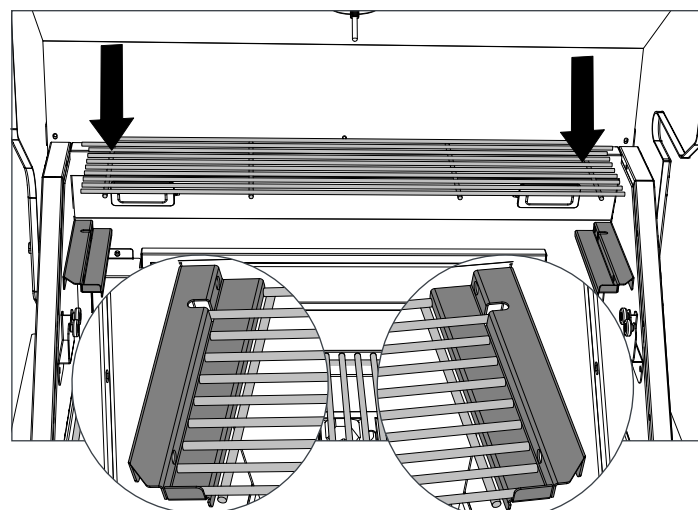
3 Similarly install the other briquette trays.



4 Install the three cooking grates on top of the each briquette tray as shown below.

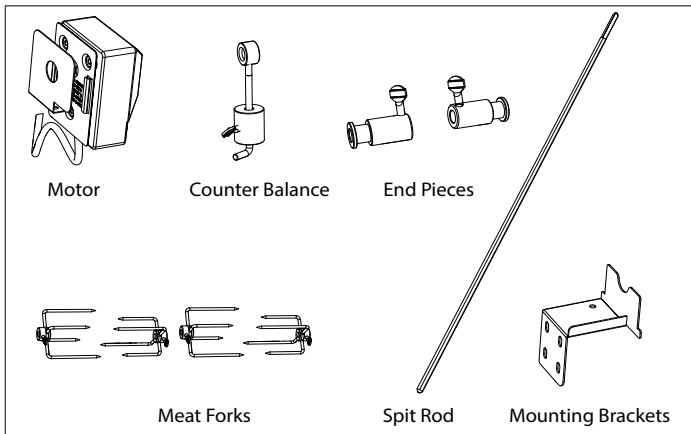


5 Install the warming rack, making sure that the longest grate rod gets inserted into slots in support shelves.

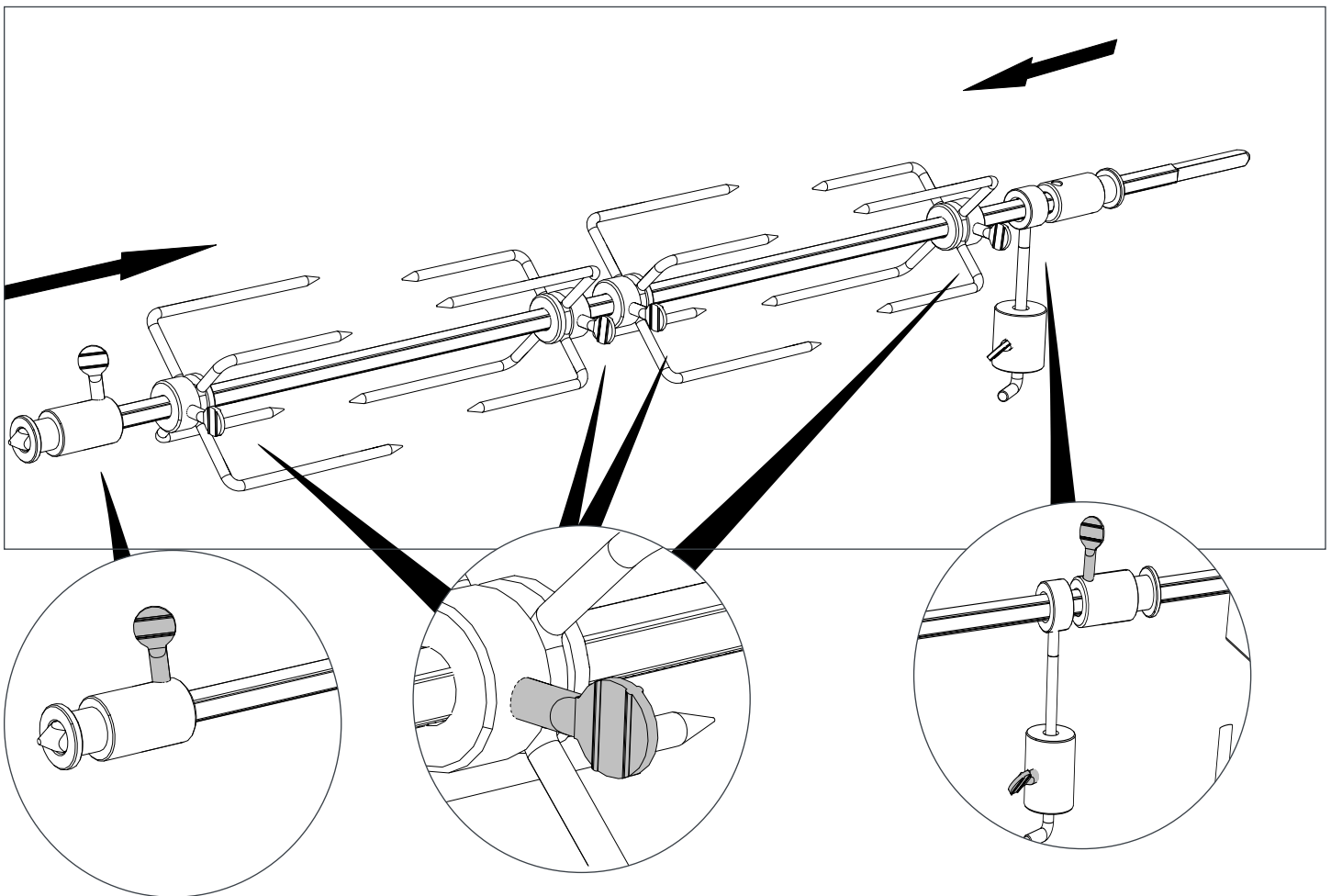


Assembling and Installing the Rotisserie Kit

i Tools and Parts needed.

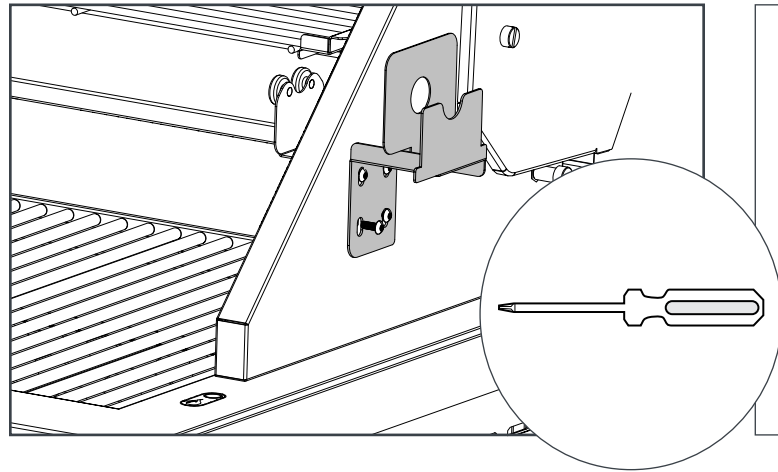


1 Assemble the forks on the spit rod, add counter balance and secure the assembly by installing the end pieces at both ends as shown below. Tighten the finger bolts to lock the position of each component.

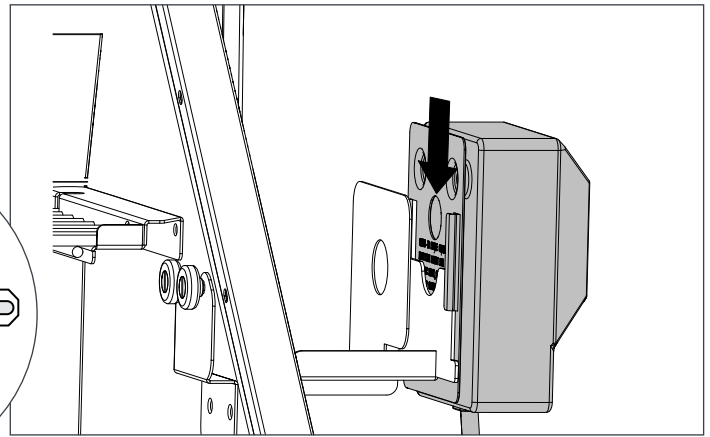


Assembling and Installing the Rotisserie Kit

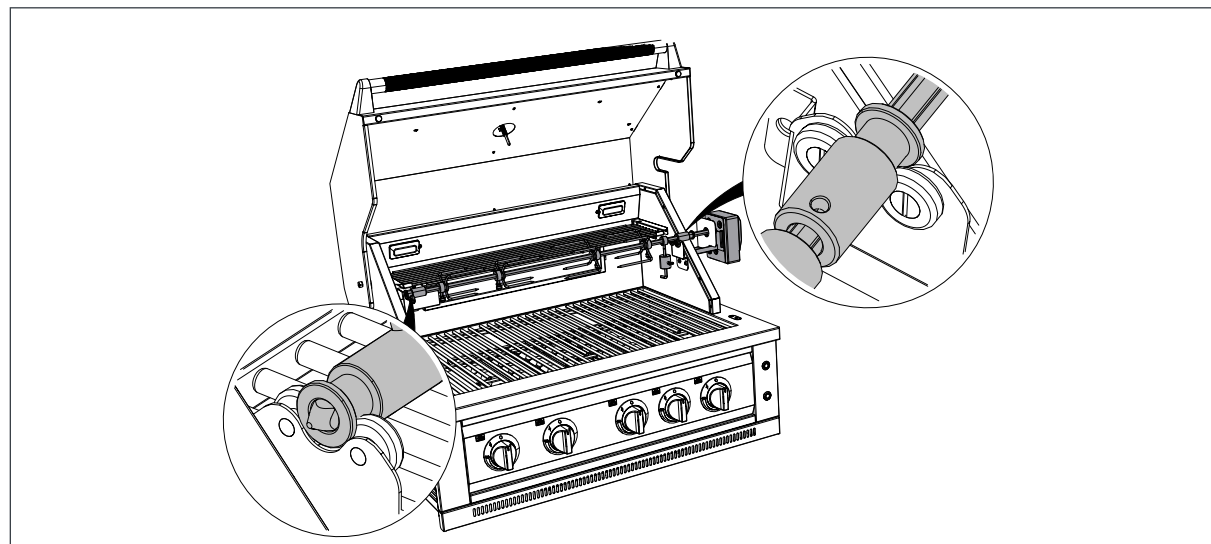
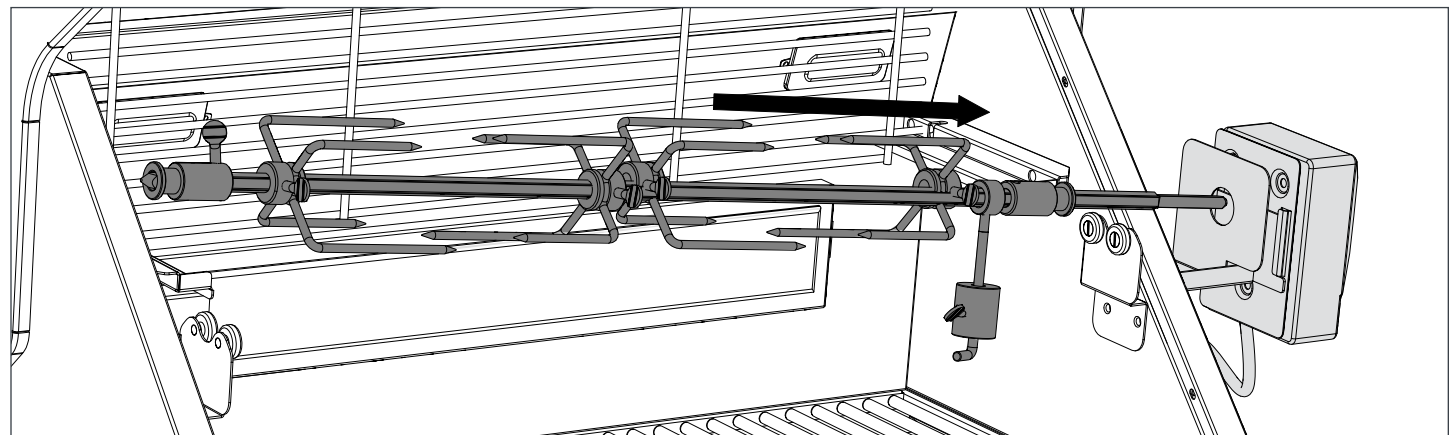
2 Attach the motor mounting bracket to the grill using four M5 screws.



3 Slide the rotisserie motor onto the mounting bracket.



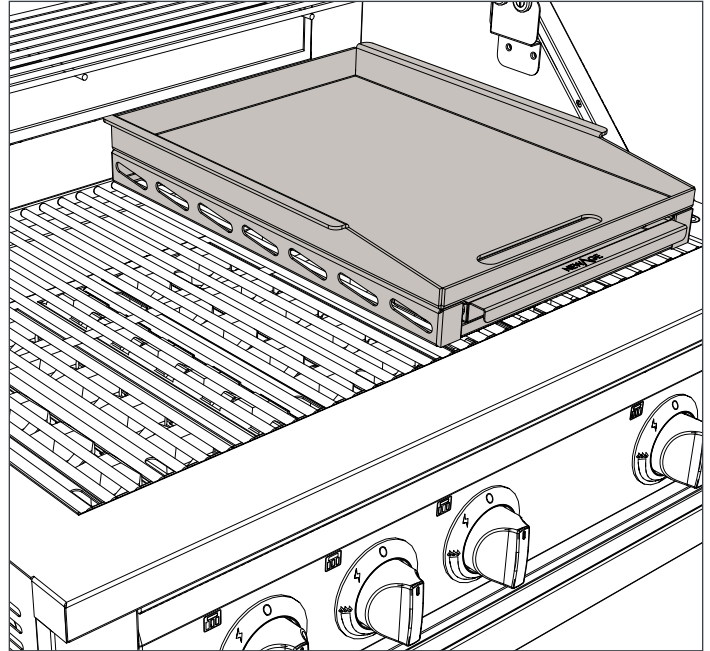
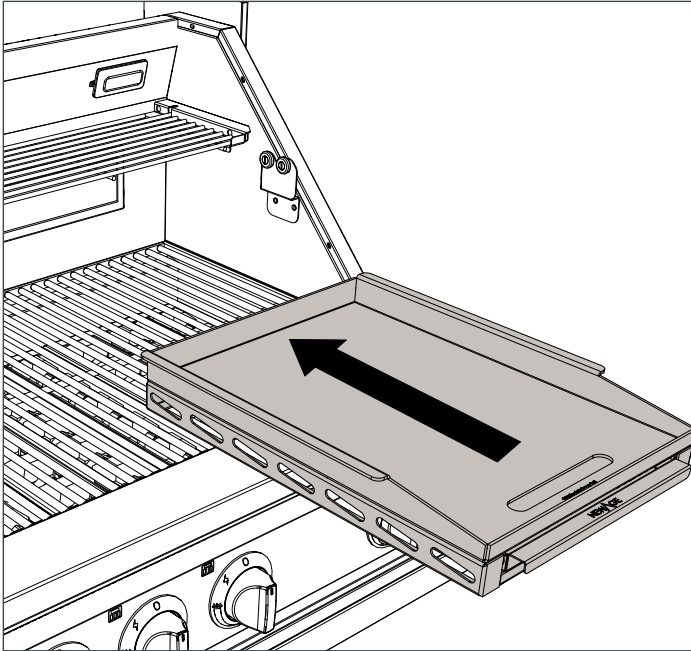
4 Fix the rotisserie assembly to the motor and place it in position by resting the end pieces on the support brackets as shown below.



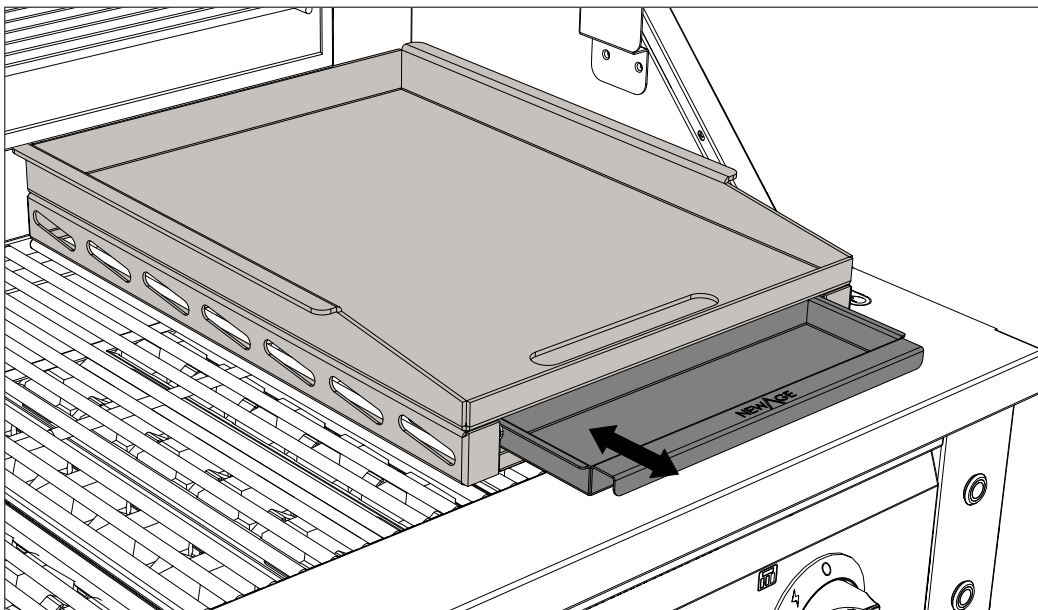
Optional Accessories

Installing the Griddle

- 1 Place the Griddle on top of the cooking grates as shown below.



- i** Grease pan can be slide in or out from the griddle to remove the grease collected.



⚠ WARNING

- During the usage the griddle gets extremely hot and must be handled with care. Make sure to let the griddle cool down for minimum 30 minutes before removing the grease pan for cleaning.
- Do not close the lid when you are cooking on the Griddle.
- Do not over fill the grease tray and clean it after each use.

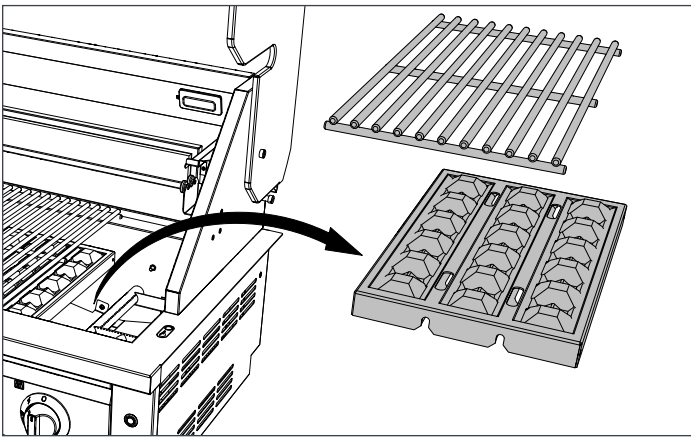
Optional Accessories

Installing the Charcoal Tray

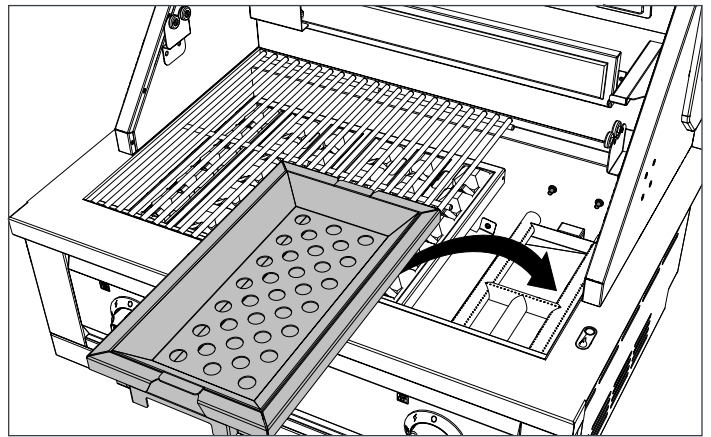
NOTE

- Do not use more than one charcoal tray on the grill while cooking.
- Remove only the briquette tray of respective burner where you have chosen to install the charcoal tray.
- Use only charcoal briquettes. Do not use wood pallets, paper or coal.
- Do not use charcoal tray without charcoal.
- Do not put more than 0.7 kg (1.5 Lbs) of charcoal in the charcoal tray.
- Do not close the lid when you are cooking on the Charcoal tray.

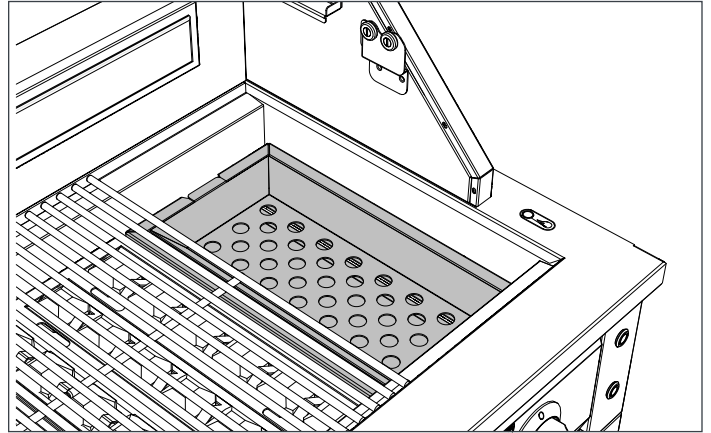
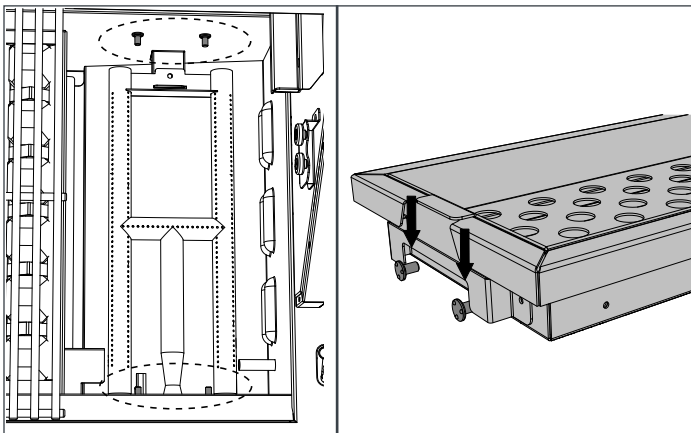
1 Remove the cooking grate and briquette tray from the chosen section.



2 Install the charcoal tray in the position of briquette tray.



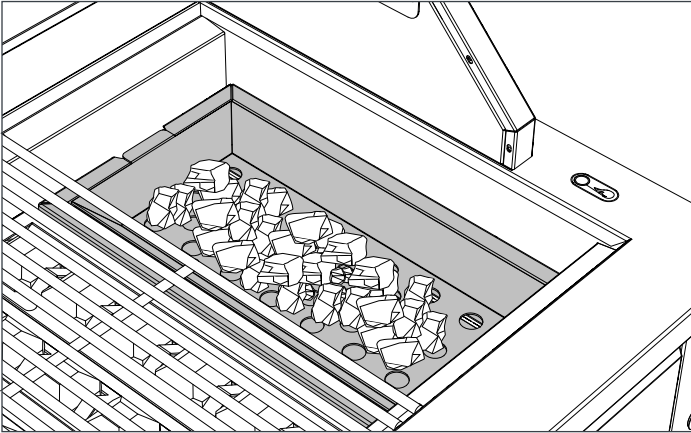
3 Make sure the charcoal tray rests on the pins of the grill back panel.



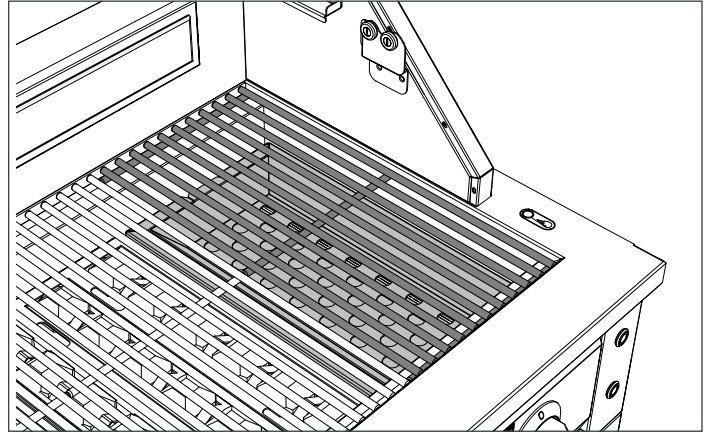
Optional Accessories

Installing the Charcoal Tray

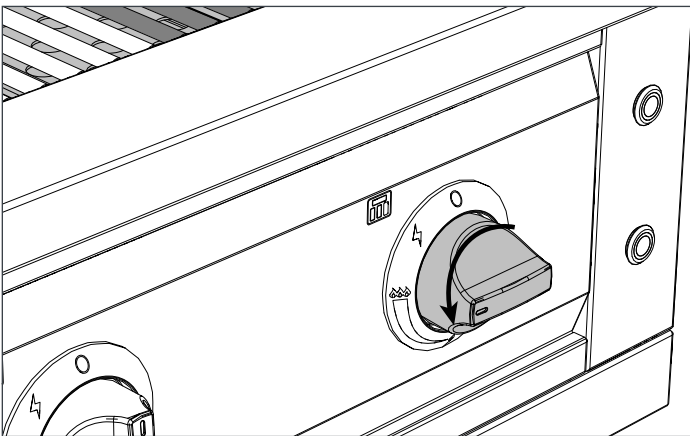
4 Add charcoal to the charcoal tray.



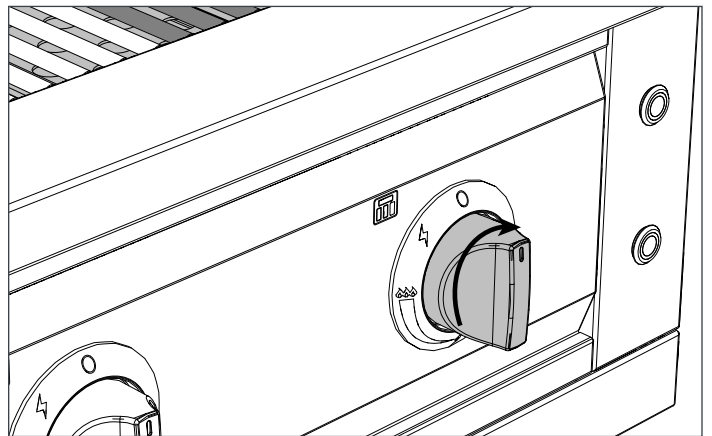
5 Install cooking grate on the top.



6 Turn on the burner underneath the charcoal tray and place it on HI position.



7 Once the charcoal is lit, turn off the burner.



Optional Accessories

Installing the Smoker Box

NOTE

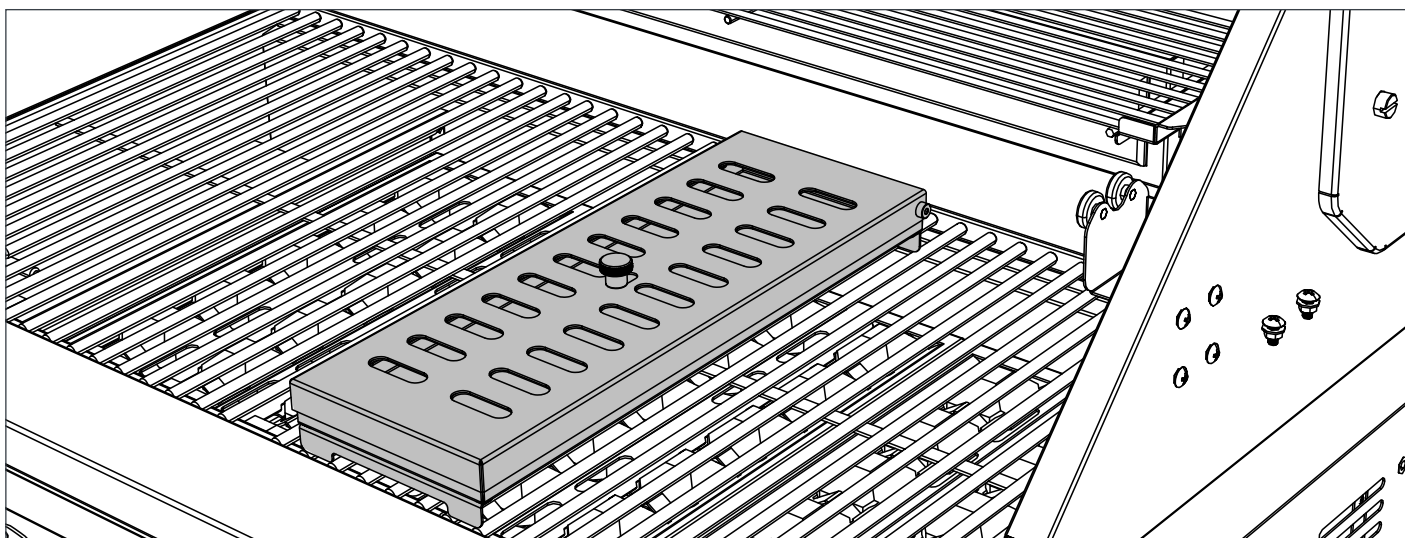
- Do not put more than 0.2 Kg (0.4 Lbs) of wood chips in the smoker box for smoking.
- Do not pour more than 1/2 litre of liquid for moisturing the meat.
- Do not place smoker box on top of the sear burner.
- For good smoke performance, soak the wood chips for not less than 30 minutes, drain excess liquid and fill the smoker tray completely.
- To improve smoke performance, keep the hood closed as much as possible while food is grilling.

⚠ WARNING

If not thoroughly soaked, the wood chips will flare up during grilling. To extinguish flame, turn off the valves, open the hood and let the fire stop.

- **Alder:** Medium, tart smoke flavor. Excellent on fish, chicken or game.
- **Maple:** Sweet, hearty smoke flavor. Best with fish, jerky or bacon.
- **Apple:** Light, sweet smoke flavor. Superb with poultry, ham or sausage.
- **Hickory:** Heavy smoke flavor. Best with beef, pork or game.
- **Mesquite:** Light smoke flavor. Excellent on fish, poultry or beef.
- **Oak:** Heavy smoke flavor. Best with beef, lamb or pork.
- **Pecan:** Rich, sweet, versatile flavor. Good with any grilled foods.
- **Grapevine:** Strong smoke flavor. Best with beef or poultry.

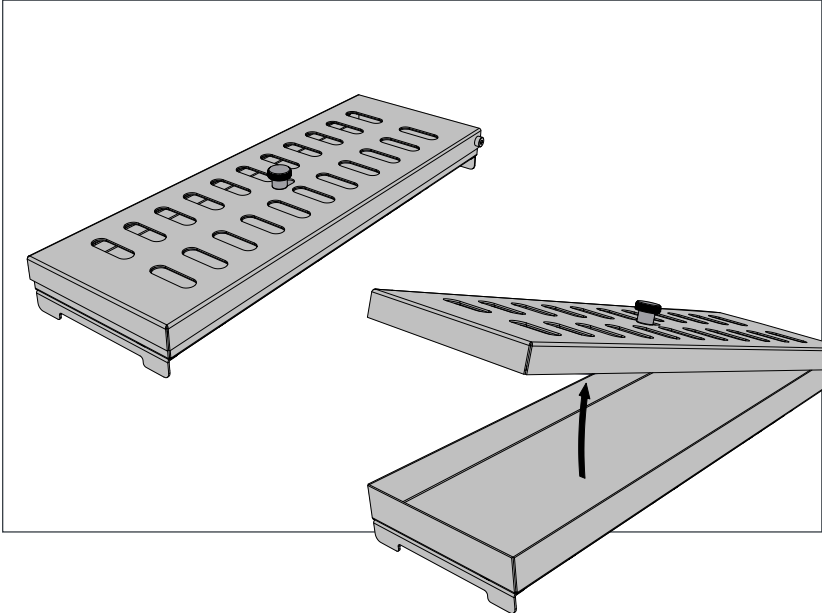
- 1 Place the smoker box on grill grates in desired location.



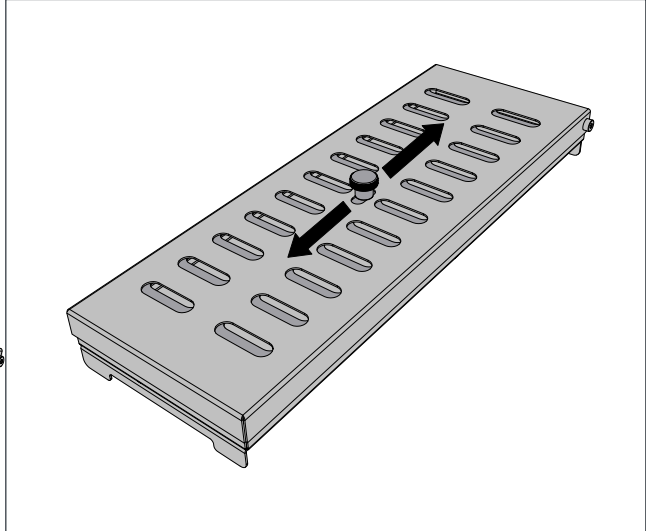
Optional Accessories

Installing the Smoker Box

i Open the smoker box to add wood chips or any beverage.



i Smoke vents can be adjusted by sliding the knob to control the smoke intensity.



Instructions for Installer

Gas Line Purging

You should purge the gas line of air before attempting to light the grill.

- Make sure all grill controls are in the “OFF” position.
- Slowly turn on the main gas supply.
- Open the lid for the entire purging procedure.
- Push in the control knobs (do not turn) for the rotisserie burner and the burner on the furthest right for about 20 seconds to allow the air in the system to purge. These are furthest from the fuel source and will completely purge the lines. Release the control knobs. Wait at least 5 minutes after releasing the control before attempting to light the burners.

Gas Hook-Up Instructions

BUILT IN PROPANE GAS HOOK-UP: The piping up to the gas grill is the responsibility of the installer and piping should be located as shown in the built-in instructions. Do not use a hose to connect the unit except to connect the cylinder regulator to the piping system. It must be connected with rigid pipe, copper tube or an approved flexible metal connector which complies with ANSI Z21.24/ CSA 6.10 or ANSI Z21.75/CSA 6.27.

The installation must comply with CAN B149.1 Natural Gas and Propane installation code in Canada, or to the National Fuel Gas code, ANSI Z223.1 in the United States. The gas supply pipe must be sufficiently sized to supply the BTU/h specified on the rating plate, based on the length of the piping run. If installing a side burner, a separate line must be branched off to the side burner unit and enter the side burner opening at the specified location. If the enclosure is to house a propane cylinder, the tank portion of the enclosure must be ventilated according to local codes, and must not have communication with the cavity used to enclose the gas grill. A propane cylinder can not be stored below the gas grill.

BUILT IN CYLINDER ENCLOSURES: Built in cylinder enclosures which completely enclose the cylinder must have both of the following:

1. At least one unobstructed ventilation opening on the exposed exterior side of the enclosure located within 5 in (127mm) of the top of the enclosure. The opening must have a total free area of more than 20 in² (130 cm²) for a 20 lb (9.1 kg) cylinder.
2. At least one ventilation opening on the exposed, exterior side of the enclosure located 1 in (25.4 mm) or less from the floor level. The opening must have a total free area of more than 20 in² (130 cm²) for a 20 lb(9.1 kg) cylinder. The upper edge must be no more than 5 in (127 mm) above the floor level.

Every opening must be large enough to permit the entrance of a 1/8 in (3.2 mm) rod.

Instructions for Installer

- The cylinder valve(s) must be readily accessible for hand operation. A door on the enclosure to gain access to the cylinder valves is acceptable, provided it is non-locking and can be opened without the use of tools.
- The enclosure for the Propane-gas cylinder must isolate the cylinder from the burner compartment to provide shielding from radiation, a flame barrier, and protection from foreign material, such as hot drippings.
- There must be a minimum clearance of 2 in(51 mm) between the floor of the Propane-gas enclosure and the ground.
- The enclosure must be designed so that the Propane-gas cylinder can be connected, disconnected and the connections inspected and tested outside the cylinder enclosure. Any connections that can be disturbed when installing the cylinder in the enclosure must be accessible for testing inside the enclosure.
- Only one 20 lbs tank in service should be used with the grill.

Propane Gas Installation

Propane Cylinder Specifications

If the gas grill is being supplied with propane from a portable cylinder, a regulator specified by the manufacturer must be used. The regulator must supply a pressure of 11 inches water column (0.39 PSI) to the gas grill and have a QCC1 type fitting. Cylinders to be used with this unit must be supplied with a QCC1 cylinder valve. A QCC1 cylinder has a positive seating connection, which will not allow gas flow until a positive seal has been achieved. It is also equipped with an excess flow device. In order to attain full flow to the grill, the valves must be in the off position when the cylinder valve is turned on.

A dented or rusty cylinder may be hazardous and should be checked by your propane supplier. Never use a cylinder with a damaged valve. Use only a propane supply cylinder constructed and marked in accordance with the specifications for Propane gas cylinders of the National Standard of Canada, CAN/CSA-b339, Cylinders, Spheres and Tubes for Transportation of Dangerous Goods; and Commission, as applicable or the Specifications for Propane gas Cylinders of the U.S. Department of Transportation (D.O.T.).

The propane cylinder must be provided with a cylinder connection device compatible with the connection for outdoor cooking appliances. The propane cylinder must be provided with a shut-off valve terminating in a propane cylinder valve type QCC1, and a safety relief device having direct communication with the vapor space of the cylinder. The cylinder supply system must be arranged for vapor withdrawal and the cylinder shall include a collar to protect the cylinder valve. The cylinder shall incorporate a listed OPD (over fill protection device). Do not store a spare Propane gas cylinder under or near this appliance. Never fill the cylinder beyond 80 percent full. **If the preceding information is not followed exactly, a fire causing death or serious injury may occur.**

WARNING

Do not change the regulator/hose assembly or use any other assembly than the one supplied with your NewAge grill.

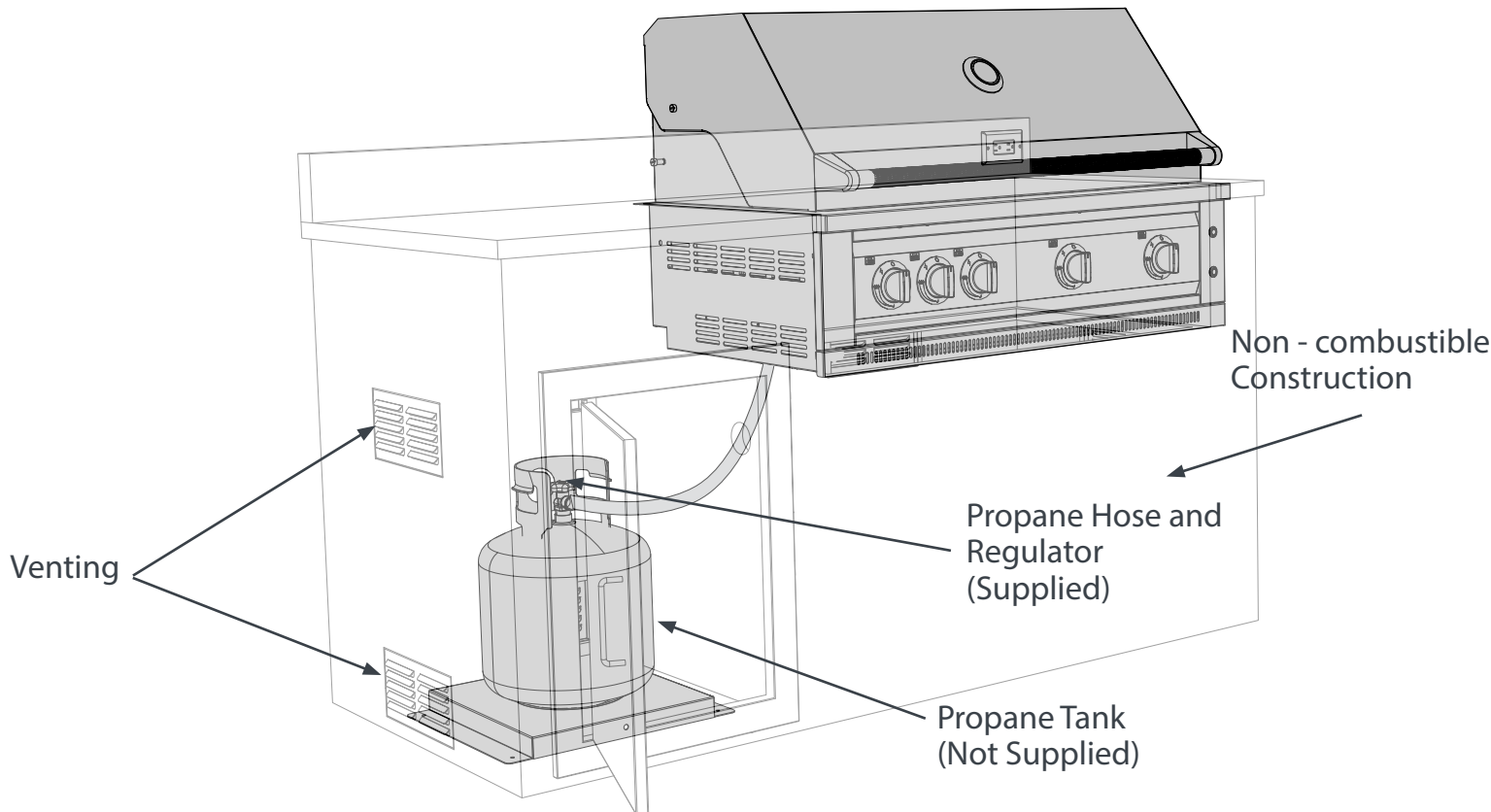
Do not attempt to use a 5LP-A equipped regulator/hose assembly with a standard 510 POL cylinder/valve assembly.

Do not store a spare Propane gas cylinder under or near this appliance.

Never fill the cylinder beyond 80 percent full.

If the information above is not followed exactly, a fire causing death or serious injury may occur.

Propane Gas Installation



Propane gas Cylinder Connections

Make sure the Propane gas cylinder valve is fully closed. It is possible for the valve to be open without releasing gas but, as soon as you start connecting the regulator, gas will leak from the connection.

Insert the regulator inlet into the cylinder valve and turn the black coupler nut clockwise until the coupler nut is hand tight. Do not over-tighten this connection. See Figure 1 & 2.

To disconnect the coupler nut, first make sure the main cylinder valve is turned off. Grasp the coupler nut and turn counter clockwise. The inlet will then disengage.

Always leak-test the connection after refilling or exchanging Propane gas cylinders. (See Leak Testing Instructions.)

Propane Gas Installation

Propane gas Cylinder Connections

Dust Cap - Place dust cap on cylinder valve outlet whenever the cylinder is not in use. Only install the type of dust cap on the cylinder valve outlet that is provided with the cylinder valve. Other types of caps or plugs may result in leakage of propane.)

Propane cylinder must include a collar to protect the cylinder valve

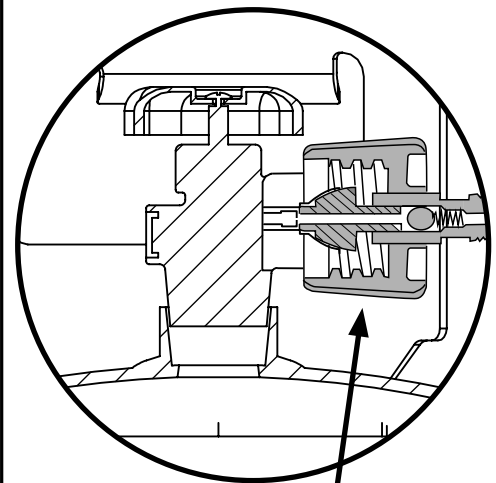
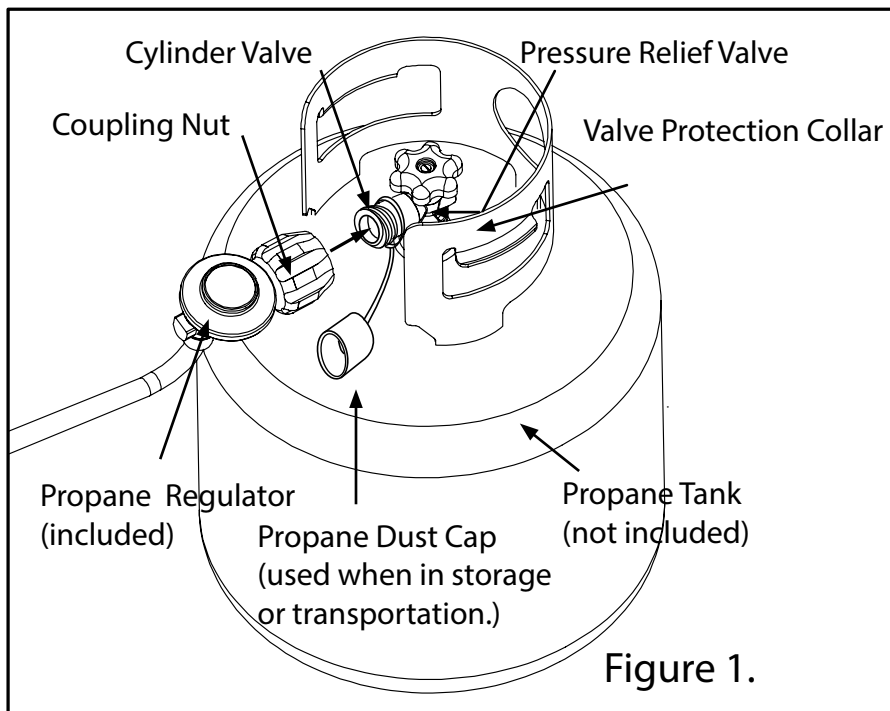


Figure 2.

Hand tighten to ensure proper seal for correct gas flow.

Propane Gas Installation

Propane gas Cylinder Requirements

The Propane gas cylinder must be constructed and marked in accordance with the specifications for Propane gas cylinders of the U.S. Department of Transportation (DOT) and designed for use with a Type 1 system only.

Cylinders of free standing grills must be secured using the provided cylinder retention system to avoid accidental movement.

When exchanging your cylinder for a refill, exchange only for a Type 1 -20lb cylinder with an over-fill protection device.

Never use a cylinder with a damaged valve.

A dented or rusty Propane gas cylinder may be hazardous and should be avoided. If in doubt, have it checked by your Propane gas supplier.

Always check for leaks after every Propane gas cylinder change. (See Leak Testing instructions on Page #.)

Always shut off the Propane gas supply at the cylinder when the grill is not in use.

Cylinders must be stored outdoors in a well-ventilated area out of the reach of children. If your grill is stored indoors, the Propane gas cylinder must be detached from grill and stored outside.

Grills set up for Propane gas come equipped with an Propane gas hose/ regulator assembly for connection to a standard 20 lb. Propane gas cylinder. (Type 1). All fittings necessary to attach the assembly to the grill are included.

Never connect an unregulated gas line to the grill.

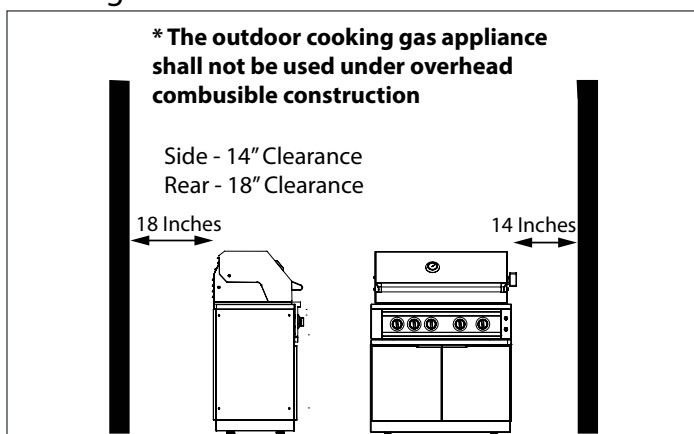
Propane Gas Installation

! WARNING

- **Never connect a gas line directly to the grill. A pressure regulator must be installed on all gas equipment. All local codes require it and NEWAGE supplies the correct regulator with your grill. Removing or failing to install the pressure regulator can result in fire and serious personal injury and will void the warranty**
- **Do not change the regulator/hose assembly or use any other assembly than the one supplied with your NEWAGE grill.**
- **Do not store a spare Propane-gas cylinder under or near this appliance.**
- **Never fill the cylinder beyond 80 percent full.**

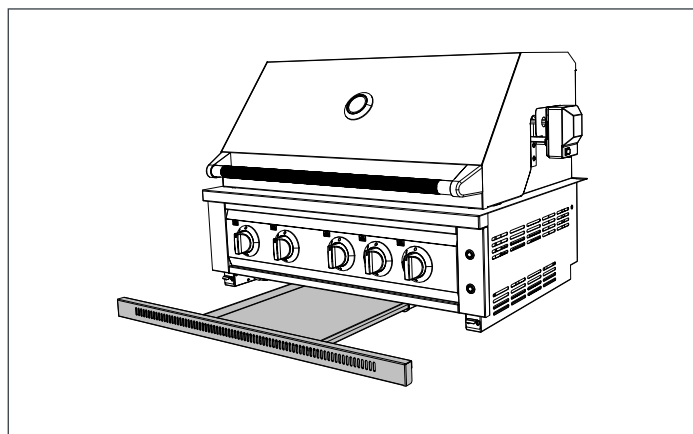


WARNING! The grill and cabinet must have a minimum clearance from combustible materials. Refer to below figure for dimensions.



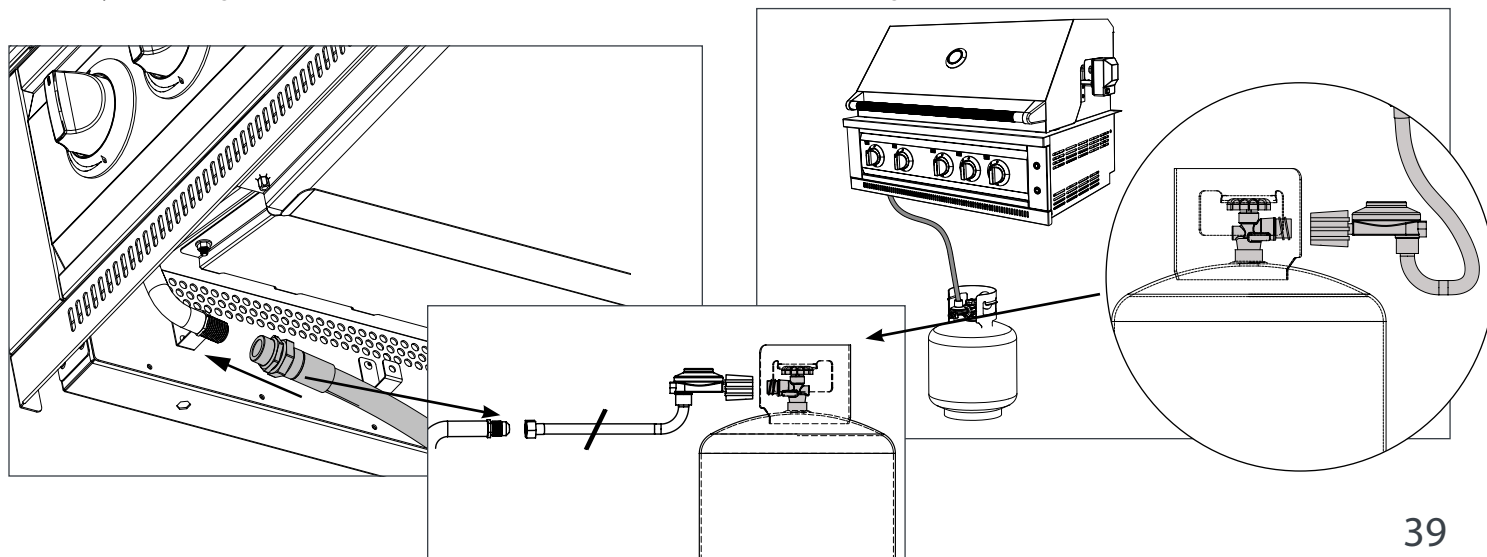
1

Remove the grease tray.



2

Connect one end of QCC1 Type Regulator and hose to the inlet on manifold and other end with type 1 regulator hand wheel to the tank. Clockwise to tighten, counter clockwise to loosen.



Leak Testing Instructions

⚠ WARNING



This must be done before initial use, annually, and whenever any gas components are replaced or serviced. Do not smoke while performing this test, and remove all sources of ignition. See Leak Testing Diagram for areas to check. Never conduct a leak test using fire or flame. Sparks or open flames will result in a fire or explosion, damage to property, serious bodily injury, or death.

Testing a Gas Leak



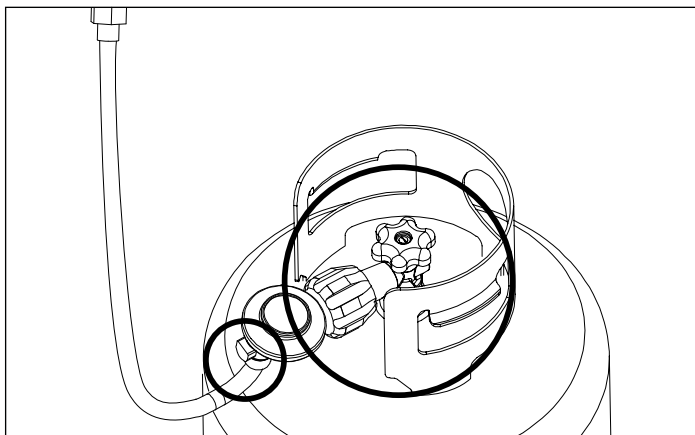
Ensure all control knobs are in the off position.

Turn on the fuel supply.

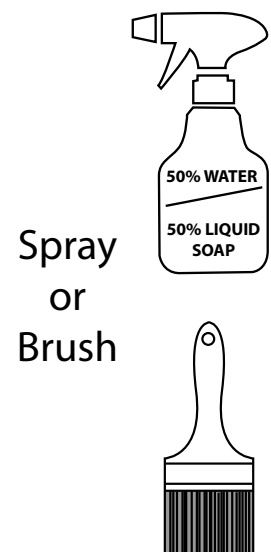
- For Propane gas turn the cylinder valve knob counter clockwise one full rotation.

Brush or spray a half-and-half solution of liquid soap and water onto all joints and connections of the regulator, hose, manifolds and valves.

Bubbles will indicate a gas leak. IMMEDIATELY turn off the gas supply.
See next page for "Fixing a Gas Leak"



Propane Gas



Spray
or
Brush

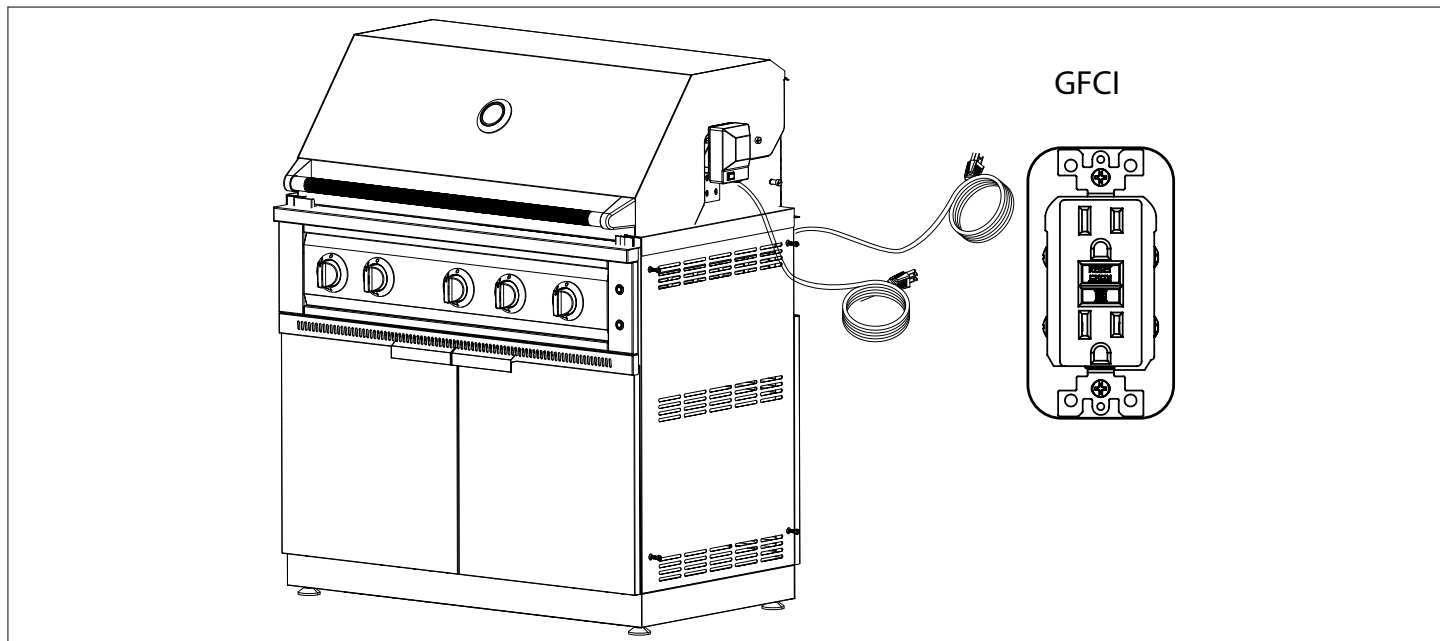
Leak Testing Instructions

Fixing a Gas Leak

- Shut off the gas supply.
- Turn all grill controls to the "ON" position to purge the grill of any gas build-up, then turn the controls back "OFF".
- Wash off the soapy solution with cold water and dry.
- Tighten the loose joint, or replace the faulty part with manufacturer-recommended replacement parts.
- DO NOT attempt to repair the Propane gas cylinder valve if it is damaged. The only way to safely resolve a damaged cylinder is to REPLACE IT.
- Repeat the leak test to ensure that no leaks are present.
- If the leak cannot be stopped, immediately shut off the gas supply, disconnect it, and have the grill inspected by a licensed gas fitter. Do not use the grill until the leak has been corrected.

Electrical Connections

Note: In order for the rotisserie, LED and halogen lights to work the grill must be plugged into a GFCI outlet installed by an electrician.



⚠ WARNING

ELECTRICAL GROUNDING

- Product installation must meet local electric codes or, in the absence of local codes, the latest edition of the National Electrical Code ANS/ NFPA No. 70 or the Canadian Electrical Code CGA 1.6b2005.
- Use only a Ground Fault Interrupter (GFI) protected circuit with this outdoor cooking gas appliance.
- **IMPORTANT:** When connecting your rotisserie motor, first connect the motor to the grill and then plug the grill into the outlet.
- This grill is equipped with a three prong (grounding) electric plug for your protection against shock hazard and must be plugged directly into a properly grounded three prong outlet. Never cut or remove the grounding prong from this plug.
- Use only extension cords with a 3 prong grounding plug, rated for the power of the equipment, and approved for outdoor use with a "W-A" marking.
- To protect against electric shock, do not immerse any part of the power cord, an extension cord or any plugs in water or other liquid.
- Unplug the product from the outlet when not in use and before cleaning. Allow it to cool before putting on or taking off parts.
- Do not let the cord hang over the edge of a table or touch hot surfaces.
- Do not use an outdoor cooking gas appliance for purposes other than intended.
- Do not operate any outdoor cooking gas appliance with a damaged cord, plug, or after the appliance malfunctions or has been damaged in any manner. Contact the manufacturer for repair.

Connection to AC

Installation requires an outdoor 120VAC 15A GFCI (Ground Fault Circuit Interrupter) electrical outlet adjacent to the grill.

The GFCI outlet features an internal breaker that reduces shock hazard. This type of outlet should be installed by a qualified electrician either inside the island enclosure for built-in units, or near the location where a free-standing unit will be used.

If the electrical system fails to operate, a connection may have come loose in shipping or the GFCI may have tripped, requiring a reset.

Pre-Grill Checklist

Before FIRST use ensure that:

1. All packaging, and packing materials have been removed from the Grill and burners
2. You have a fuel supply connected.
3. All electrical parts are connected.
4. A qualified gas fitter has performed a leak test on all the fittings that supply the fuel to the grill.
5. If your Grill does not light in 4-5 seconds you may need to purge the line. (refer to purging the line)
6. Before cooking on your gas grill for the first time a burn-off needs to be done. This is a one time only procedure and gets rid of any odors or foreign matter caused by the manufacturing process. To do this open the lid and ignite the burners, close the lid and operate on "MAX" for 5-10 minutes. You may then either set the controls to "OFF" or cook on your grill immediately by turning the control knobs to a lower setting.

WARNING

- **Never attempt to light a burner if you smell gas.**
- **Always keep the lid open when lighting your grill.**
- **Releasing fuel into a closed grill before lighting will increase the risk of explosion, property damage, personal injury or death.**
- **Keep your face and body as far from the grill as possible when lighting. Any time a burner doesn't light within 5 seconds, turn off the control, wait 5 minutes for gas to dissipate, and repeat the lighting procedure.**
- **NEVER LEAVE THE GRILL UNATTENDED WHILE COOKING.**

Before Each Use:

Always make sure that:

1. You do not smell gas before you light the grill. If you do smell gas, shut everything off and have a qualified fitter check for leaks.
2. The cooking area is free and clear of any combustibles, that might ignite.
3. If you are using a refillable propane cylinder, it is securely connected and leak tested. (See Leak testing on page 28)
4. You know where the main gas supply shut-off is located.
5. The burners are seated properly in the grill. The main burners must sit level and firmly on the burner mounting support frame.
6. Wind is not blowing too strongly or blowing on the back of grill.

Once a Season

- At the start of each new grilling season remove the grilling racks and check the burners, venturis, orifices and valves for obstructions.
- Spiders and insects often nest in these areas of the grill and can disrupt air flow, causing damage to the grill and personal injury.
- Also, check all hoses and fittings for damage, abrasion, wear and tear.

Lighting the Grill

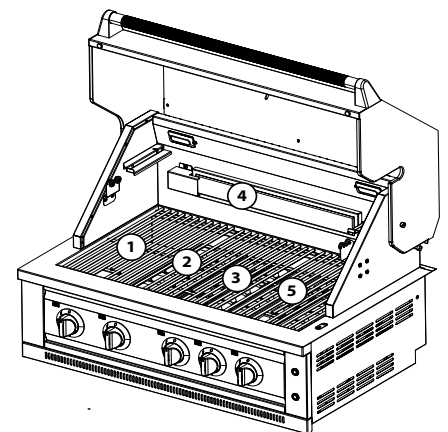
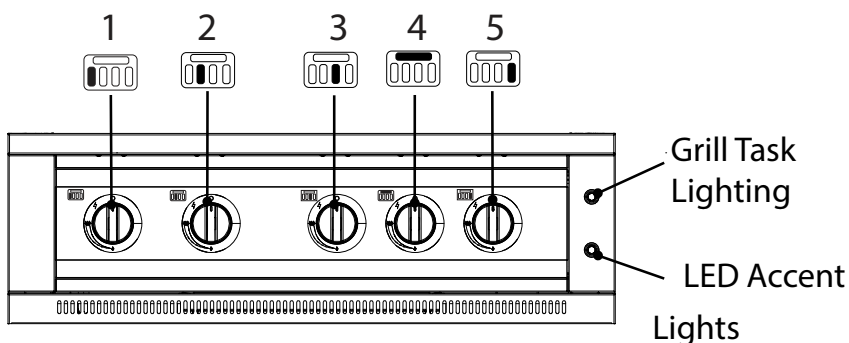
⚠ WARNING

- Always keep the lid open when lighting the grill.
- Never leave children unsupervised around the NewAge grill. Do not store items of interest to children around or below the grill, or in the cabinet. Never allow children to crawl inside a cabinet or enclosure.

⚠ CAUTION

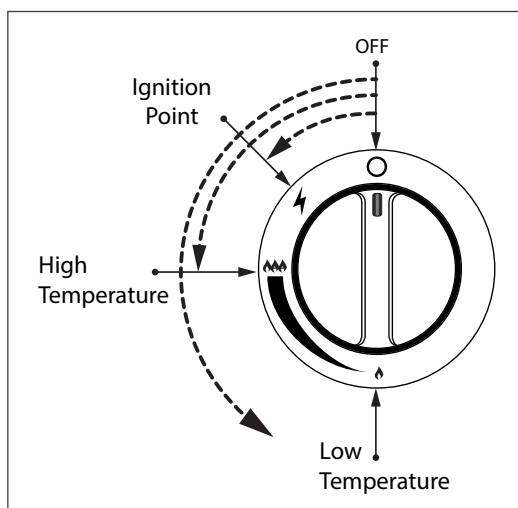
- Never light the grill if you smell gas.
- Keep face and body parts away from the grill when lighting. If burner fails to light after 5 seconds, turn off the burner, wait 5 minutes then repeat the lighting procedure.
- Do not leave the grill unattended.

Grill Control Layout



1. Sear Burner | 2. Left Burner | 3. Middle Burner | 4. Rotisserie Burner | 5. Right Burner

Flame-Thrower Ignition

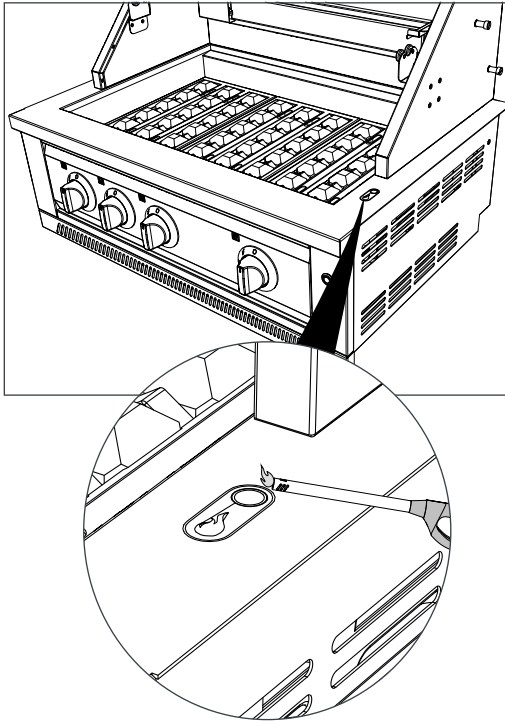


Ignition for BURNERS(1,2,3,4 and 5):

1. Read and complete PRE-GRILL checklist.
2. Make sure all control knobs are set to off.
3. Always light grill with lid open.
4. Turn fuel supply on.
5. Push in, turn the control knob counter-clockwise to the ignition point (⚡) and hold in for 5 seconds until the burners ignite. It will immediately be on high.
6. Once the grill is lit, adjust the temperature using the Max-to-Min settings.

Lighting the Grill

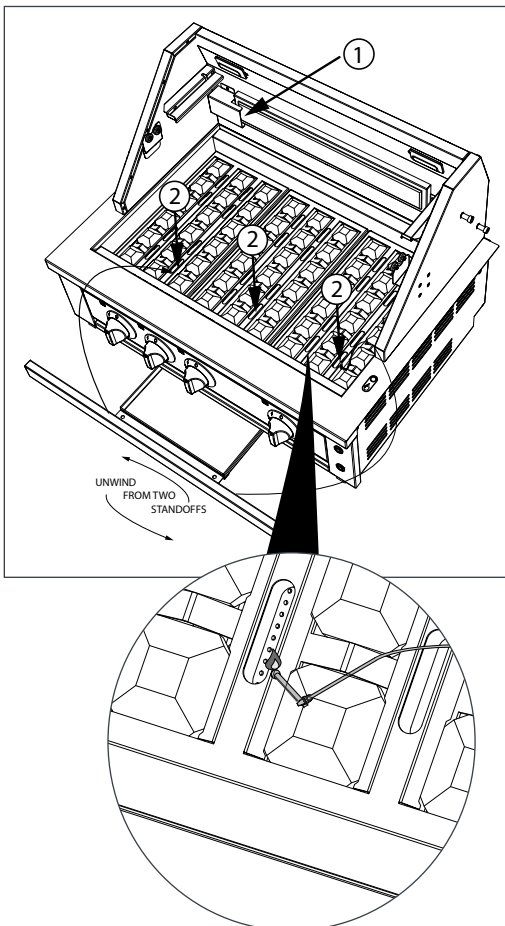
Manual Lighting



Method 1 (Fire Tube):

If the burners fail to light after a couple of attempts, it can be lit using the supplied match lighting stick. Follow the steps below for manual grill lighting.

1. Read and complete PRE-GRILL checklist.
2. Make sure all control knobs are set to off.
3. Always light grill with lid open.
4. Turn fuel supply on.
5. Place a kitchen lighter on top of the fire tube opening and light it up
6. Push the **far right** control knob in and turn it to HIGH to ignite the right burner. Check that the flame is lit by looking through the cooking grates. You should see a flame.
7. Once the far right burner is lit, push-in and turn the valve for the middle burner. Once the fire crosses over and light the middle burner, you can repeat this process for the burner on the far left side. If any of the burners fails to ignite during the lighting process, within five seconds, stop, turn the burner control knob to OFF and wait five minutes to allow the gas to clear before you try again.



Method 2 (Access Holes):

If the burners fail to light after a couple of attempts, it can be lit using the supplied match lighting stick. Follow the steps below for manual grill lighting.

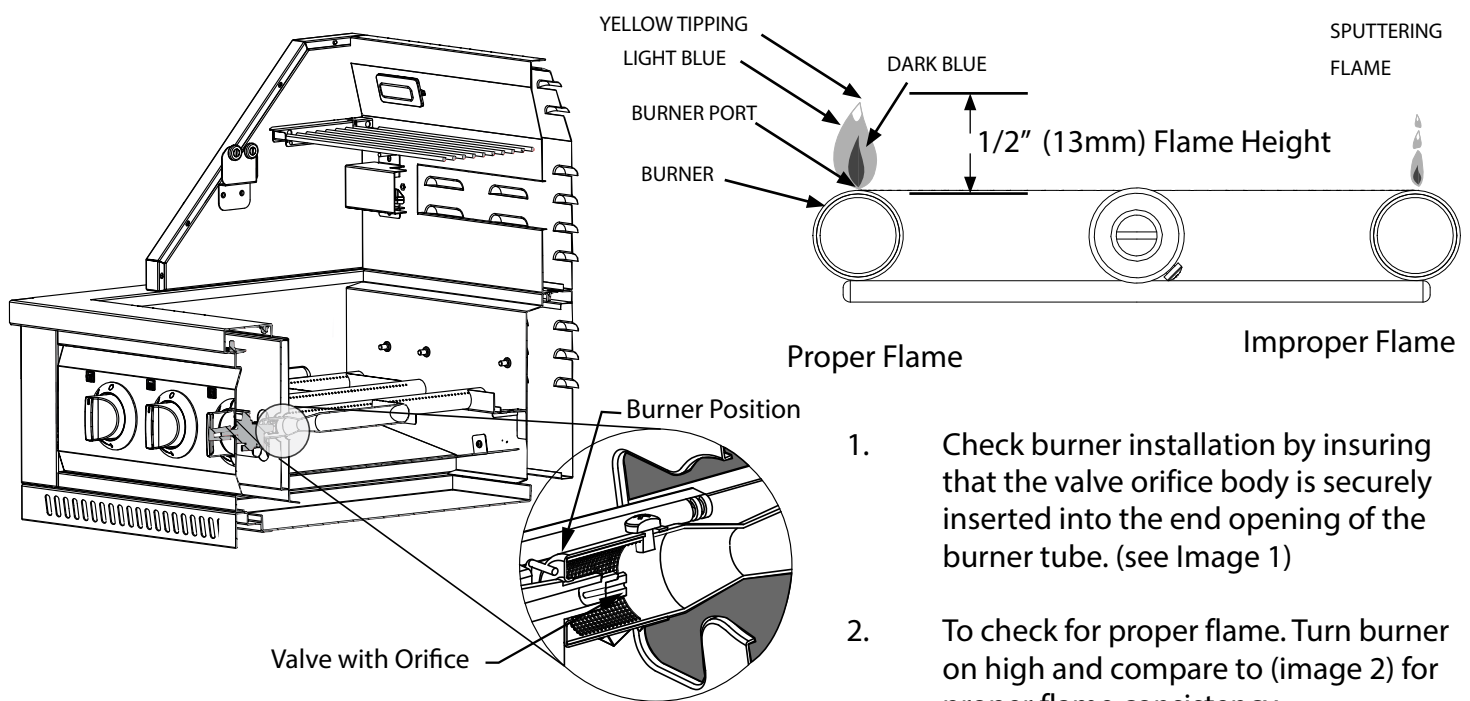
1. Read and complete PRE-GRILL checklist.
2. Make sure all control knobs are set to off.
3. Always light grill with lid open.
4. Turn fuel supply on.
5. Place a match in the alligator clip on the match holder and light the match.
6. Guide the match holder, with lit match, through the access holes on the ceramic briquette tray and adjacent to the right burner.
7. Push the corresponding control knob in and turn it to HIGH to ignite the left burner. Check that the flame is lit by looking through the cooking grates. You should see a flame.
8. Repeat step 5 to 7 for the remaining burners. If any of the burners fails to ignite during the lighting process, within five seconds, stop, turn the burner control knob to OFF and wait five minutes to allow the gas to clear before you try again.

Proper Burner Position and Operation

⚠ CAUTION

Proper placement of each burner is critical after cleaning they must be centered on the brass orifice, resting level without any rocking. Failure to meet these conditions may cause a very dangerous condition that can cause personal injury and property damage.

Gas control knobs should be in the 'OFF' position, and fuel line should be disconnected from gas valve manifold. To reduce the chance of FLASHBACK, the procedure below should be followed at least once a month or when your grill has not been used for an extended period of time.



1. Check burner installation by insuring that the valve orifice body is securely inserted into the end opening of the burner tube. (see Image 1)
2. To check for proper flame. Turn burner on high and compare to (image 2) for proper flame consistency.

⚠ CAUTION

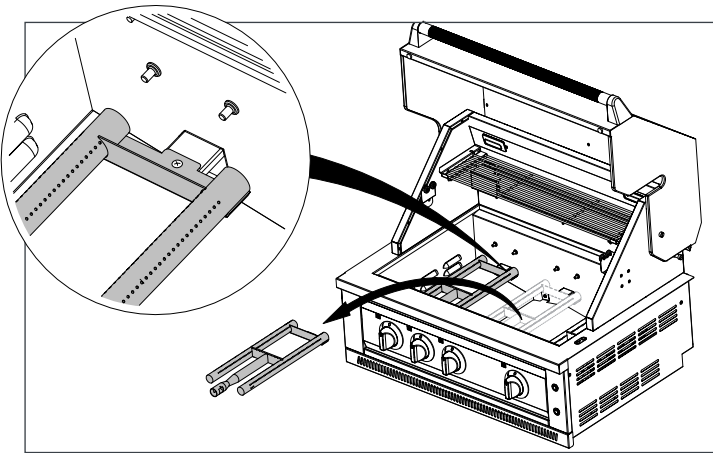
Turn off gas at source and disconnect the unit before servicing. To avoid the possibility of burns, maintenance should be done only when the grill is cool. A leak test must be performed annually and whenever any component of the gas train is replaced or gas smell is present.

Proper Burner Position and Operation

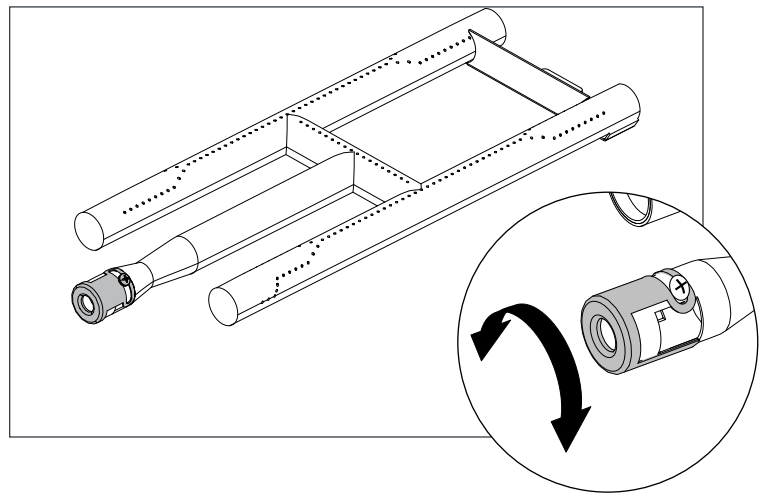
Adjusting the Airshutter valve

To adjust the flame properly the air shutter valve needs to be adjusted to achieve an optimum gas and oxygen mixture for burning. The burner has to be removed for adjusting the air shutter valve.

- 1** Loosen the bolts(A) and remove burner from the grill.

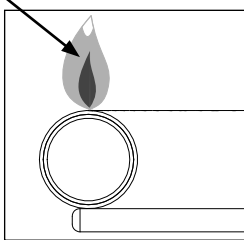


- 2** Loosen the screw on the air shutter valve and turn the air shutter valve to change the air opening.



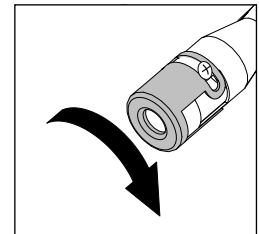
Improper Flame

LIGHT BLUE

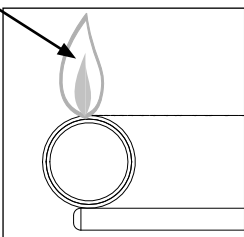


Too much Oxygen

If the flame is not touching the burner, more oxygen is supplied to the fuel than required. Turn the air shutter valve clockwise to reduce the opening.

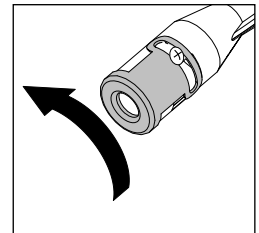


YELLOW

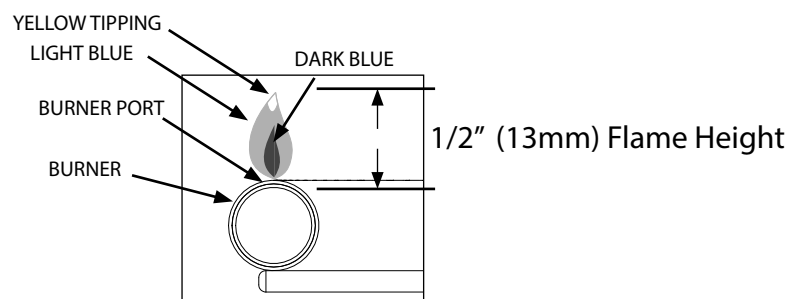


No Oxygen

If the flame color is yellow, less oxygen is supplied to the fuel than required. Turn the air shutter valve counter clockwise to increase the opening.



Proper Flame



General Grill Operation and Cooking Procedures

WARNING

- **Never leave children unsupervised around the NewAge grill.**
- **Pre-heating for more than 15 minutes may overheat and cause damage to the grill.**
- **Never cover slots, holes, or passages in the grill fire box or cover an entire rack with material such as aluminum foil. Doing so blocks air flow through the oven and may cause carbon monoxide poisoning. Aluminum foil linings may trap heat causing a fire hazard.**
- **Do not leave the grill unattended.**

Preheating

It is necessary to preheat the grill for a short time before cooking certain foods, depending on the type of food and the cooking temperature. Pre-heating allows the briquettes to properly heat up, providing more even and more consistent cooking results. Allow the grill to pre-heat on "HI" until desired temperature is reached. Use the hood thermometer to achieve required preheating temperature. There is no need to preheat for casseroles or other foods that require slow cooking.

Cooking Temperatures

HIGH Setting - Use this setting only for fast warm-up, for searing steaks and chops, and for burning food residue from the cooking grids after the cookout is over.

MEDIUM Setting - Use this setting for most grilling, roasting or baking, and for cooking hamburgers and vegetables.

LOW Setting - Use this setting for all smoke cooking, rotisserie cooking, and when cooking very lean cuts such as fish.

These temperatures vary with the outside temperature and the amount of wind.

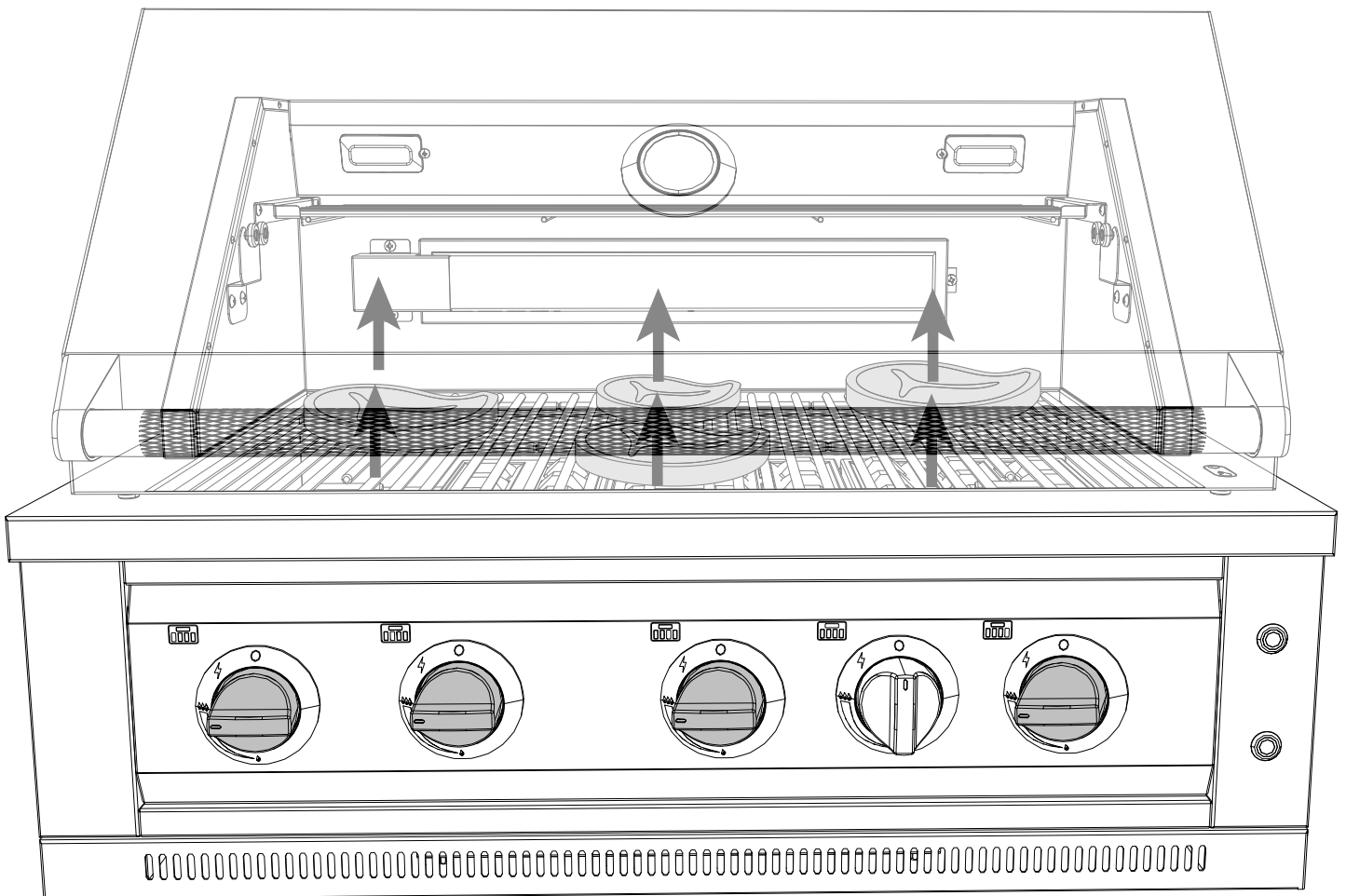
WARNING

Do not use the grill for cooking excessively fatty meats or products, which promote flare-ups. To Control flare-ups, adjust the controls to lower the temperature. If your grill flare-up is out-of-control, turn off the burners. Don't use water to put out flare-ups. Spraying water on a flare-up can cause grease to explode.

General Grill Operation and Cooking Procedures

Direct Cooking

This method involves placing the food directly over the lighted burners. This is a common way to cook foods that take less than 20 minutes or to sear larger foods at the beginning of the cooking process. Turning too soon and too often is one of the most common grilling mistakes. Never spray water on the grill or into grease. Use a meat thermometer to achieve desired doneness and remove items one degree below how you would like to enjoy them, as the resting period before carving or consuming will raise the temperature.



General Grill Operation and Cooking Procedures

Searing

Even for an experienced chef, infrared cooking can, at first, present a bit of a challenge. By following these simple tips, you will soon be producing juicier, more flavorful foods than you have ever experienced before. As a general rule, foods will cook in less time than they would take on an ordinary grill. By turning food frequently (approximately every 2 minutes), excessive charring is simply avoided.

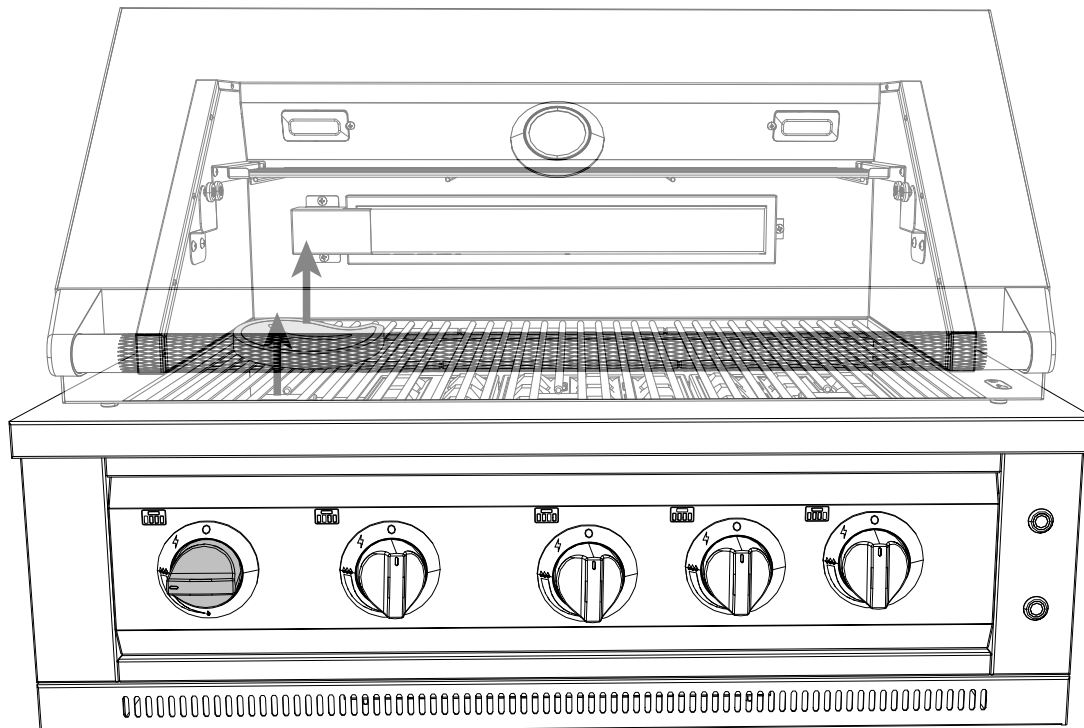
A sear burner works by producing intense heat which quickly sears meats. Searing locks in flavor and juices while allowing the outer surface to absorb smoke and food aroma that is produced as grease and drippings are vaporized by the burner. The result is a crisp, flavorful outside with a tender, juicy inside. Just the result you want with most grilled foods.

How to grill with sear burner

Properly pre-heat the grill by following the lighting instructions on page 45. Place food on grill grids and turn every 2 to 2 1/2 minutes until food is cooked to desired taste. Do not let food cook more than 2 1/2 minutes without turning. Perfect cross sear marks can be made by rotating food 90° at each turn.

! Note

It is recommended to turn food being grilled on a sear burner every two minutes during the cooking period. Never allow food to cook more than 2 1/2 minutes without turning.



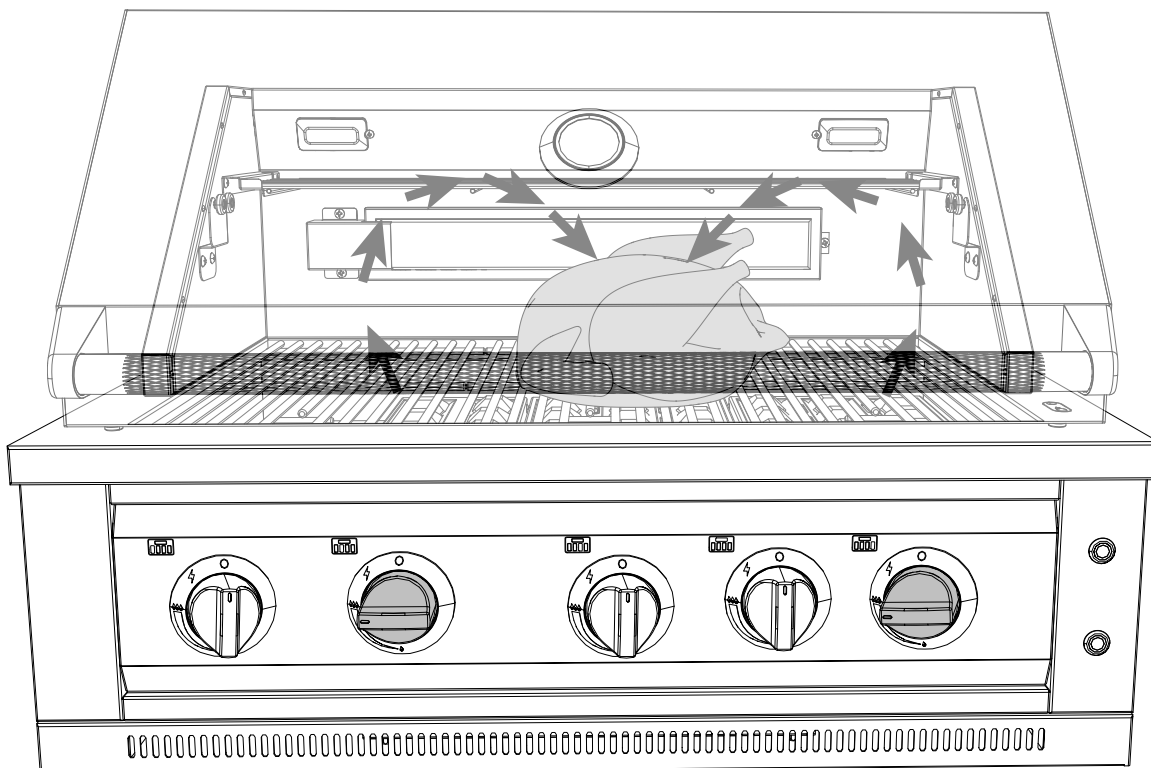
General Grill Operation and Cooking Procedures

Indirect Cooking

You can cook larger foods slowly to perfection on one side of the grill by using indirect heating technique. This can be achieved by leaving the burners directly below the food "OFF" and igniting the burners to the side of the food. The heat from the lighted burner circulates gently throughout the grill, cooking the food without any direct flame touching it. This method greatly reduces flare-ups when cooking extra fatty cuts, because there is no direct flame to ignite the fats and juices that drip down during cooking. Place a drip pan slightly smaller than the cut of meat on the cooking grids or ceramic briquettes under the meat being cooked. This will allow you to catch meat juices for making gravy. Flare-Ups: The fats and juices that drip from the meat cause flare-ups. Since flare-ups impart the distinctive taste and color for food cooked over an open flame, they should be expected and encouraged within reason. Nevertheless, uncontrolled flaring can result in a ruined meal. To control excessive flare-ups caused by too high a heat setting, turn the heat control knob to a lower setting.

! CAUTION

- **If burners go out during operation, close gas supply at source, and turn all gas valves off. Open lid and wait five minutes before attempting to re-light (this allows accumulated gas fumes to clear).**
- **Should a grease fire occur, close gas supply at source, turn off all burners and leave lid closed until fire is out.**
- **Do not attempt to disconnect any gas fitting while your barbecue is in operation.**



General Grill Operation and Cooking Procedures

Rotisserie Cooking

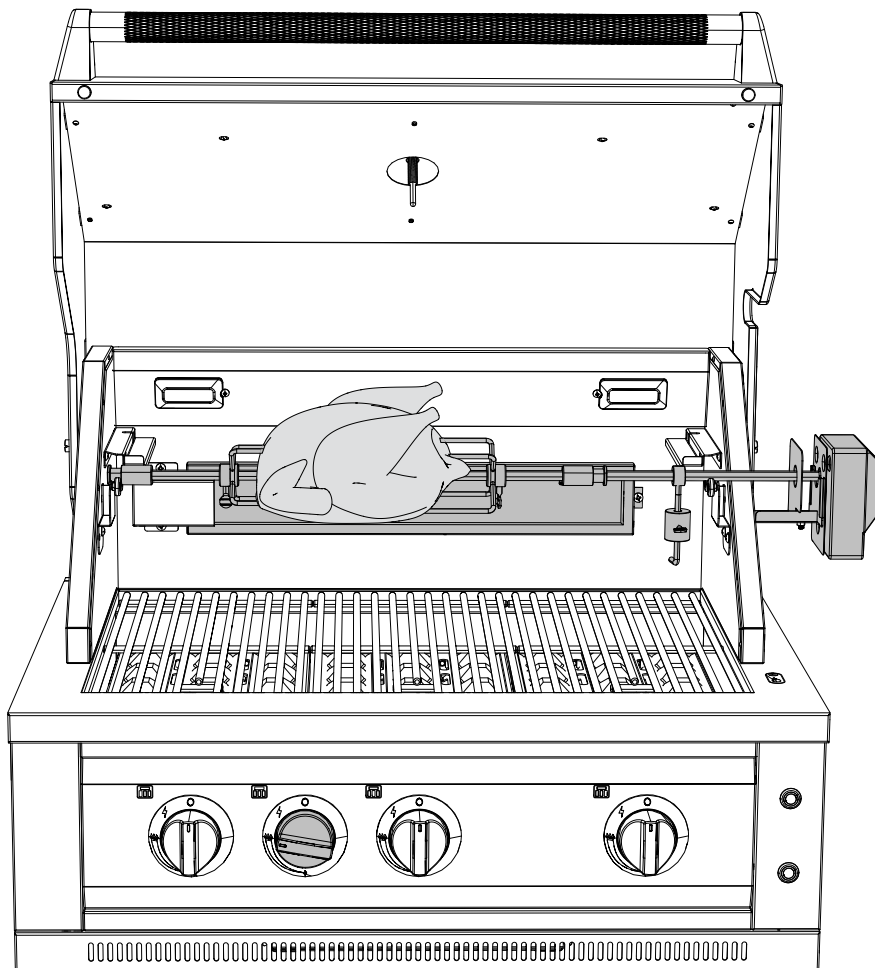
Rotisserie is mostly used to cook large pieces of meat and poultry to assure slow, even cooking. The constant turning provides a self-basting action, making food cooked on a rotisserie exceptionally moist and juicy. Rotisserie cooking generally requires 1 ½ to 4½ hrs to cook depending on the size and type of meat being cooked. You can have rotisserie cooking with indirect heat as shown or with infrared rotisserie burner.

For successful rotisserie, the meat should be centered and balanced as evenly as possible on the spit rod to avoid overworking the rotisserie motor.

Since indirect heat is often used in cooking on a rotisserie, a foil or aluminum drip pan is advisable to prevent excessive flare-ups. Generally, the cooking grills are removed to allow for the swing of the rotisserie. A basting pan is placed under the rotisserie area on top of the ceramic briquettes to catch the drippings.

⚠ CAUTION

Warming Rack must be tilted back or removed when Rotisserie Burner is being used.



Grill Maintenance and Cleaning

Regular Maintenance

Wash regularly with clean fresh water, mild detergent and a micro fiber cloth. After washing rinse in clean water and wipe the surface dry with your cloth remembering to go with the grain on brushed stainless steel. Generally you should wash your stainless steel every three months. Coastal areas or next to a chlorine pool more frequently every 2 weeks. Do not use abrasive cleaners or a scouring pad of any type as they will cause excessive wear and dull the finish. Stainless steel finishes in coastal environments may show tea staining if not washed regularly. For better protection use a thin coating of protectant on the surface.

List of common conditions that cause corrosion or discoloration of stainless steel and should be avoided:

1. Chloride containing cleansers – this includes bleach and any cleaners containing bleach
2. Muriatic acid (hydrochloric acid) – commonly used to clean up after tile/concrete installation
3. Concentrated soap residue – chemical additives will cause discoloration and some dried soaps actually look like rust
4. Water with high iron content – can leave a rusty residue, especially if allowed to drip continuously
5. Contact with iron materials – including steel wool, iron residue/dust from installation or cleaning of other steel products
6. Don't allow trapped moisture between the product and cover – rubber mats, metal cANSI or cleaning products trapped moisture - allow cabinets to completely dry before covering.
7. Salts – contain chlorides
8. Extreme Heat by Flame
9. Do not permit citrus or tomato juice to remain on stainless steel surfaces.
10. No abrasive cleaners, steel wool pads, or abrasive cloths as they will scratch the finish.

OXIDIZATION Removal

If you have oxidation there are a few steps to take to bring your stainless steel cabinets back to “as new” condition. Apply clean water with a cleaning sponge and rub gently in the direction of the grain. If the mark won't shift, it may be necessary to use a stainless steel cleaner, in which case apply the cleaner and rub gently. After cleaning it is important to rinse the stainless steel with clean fresh water and buff with a soft cloth. Remember to always rub with the grain, NEVER across as you will ruin the finish, and the stainless can lose its shine.

Grill Maintenance and Cleaning

Cleaning the cooking grids:

After cooking, turn control knobs to “OFF” and let grill cool before attempting to clean your cooking grates. Before first use and periodically it is suggested that you wash the cooking grids in a mild soap and warm water solution. You can use a washcloth or a vegetable brush to clean your cooking grates.

Remove the Burners:

1. Remove the grill racks and briquette trays.
2. Unscrew the fasteners securing the burners to the tray.
3. Lift the burner up.
4. Then pull to the rear of the grill so the burner head comes off the brass orifice at the front.

Cleaning the Burner:

- To maximize grill performance, clean the exterior of the burner with a abrasive scouring pad. Remove stubborn scale with a metal scraper.
- Clear any clogged ports with a straightened paper clip. Never use a wooden toothpick as it may break off and clog the port.
- Shake out any debris through the air shutter.
- Use a flashlight to inspect the burner inlet to ensure it is not blocked. If obstructions can be seen, clean it with a paper clip or a pipe cleaner.

CAUTION

Do not allow excess grease or liquids to accumulate in the drip tray as they may create a fire hazard.

Never use the grill without the drip tray installed.

Cleaning the drip trays:

The drip tray should be cleaned after each use. After the grill is completely cool, remove the drip tray by pulling it out until it comes free.

Clean it with hot soapy water or an oven-style cleaning product and re-install. When using an oven-style cleaning product be sure to carefully follow the manufacturer’s instructions. Many of these cleaners are toxic and can damage the stainless steel finish if not used properly. Test on a non-visible area of stainless steel before using on full area.

Also, check the tray after rain. If you’ve left the grill uncovered, you may need to remove the drip tray to drain the water from the tray.

Grill Maintenance and Cleaning

Ceramic Briquettes:

The ceramic briquettes normally burn off any accumulated food drippings. But you may occasionally experience larger spills that don't burn off under normal use.

When this happens:

1. Let the grill cool completely. Remove the racks and then the briquette trays by lifting the front edge and lifting them upward.
2. Flip the trays over and put them back in place over the burner.
3. Light the burners and set them to "MAX" for 5 - 10 minutes to burn the briquettes clean. Be sure the trays have completely cooled before reinstalling them. Any remaining food items can be brushed off using a soft brush.

Stainless Steel:

1. After each use wipe down the exterior of the grill to remove grease, black soot and splatters.
2. Be sure to follow the cleaning instructions for keeping the grates and burners clean and ready for use.
3. Use a commercially available Stainless Steel cleaner to clean and polish the exterior surfaces.

Part of the appeal of the NewAge Grill is the fine grain finish. Always clean with the grain direction.

When removing stubborn stains:

- Do not use metallic abrasives and always rub in the direction of the grain.
- Some household cleaning products are not suitable for stainless steel; be sure to read the label before using on your NewAge Grill.
- Always use the mildest cleaning solution first, scrubbing in the direction of the grain. Specks of grease may gather in the grain of the stainless steel and bake on to the surface, giving the appearance of rust.

To remove these baked-on foods use a fine to medium grit non-metallic abrasive pad (Scotch Brite is good) in conjunction with a stainless steel cleaner. Always be sure to clean and polish with the direction of the grain.

Grill Maintenance and Cleaning

SPECIAL NOTE FOR LOCATIONS NEAR POOLS AND COASTAL AREAS:

The 304 stainless steel material used in the construction of a NewAge Grill is highly rust resistant, however, chlorine in the air from swimming pools or the salt from sea air may cause surface rust to appear and even create some pitting if left on the product.

Here are a few tips to avoid this:

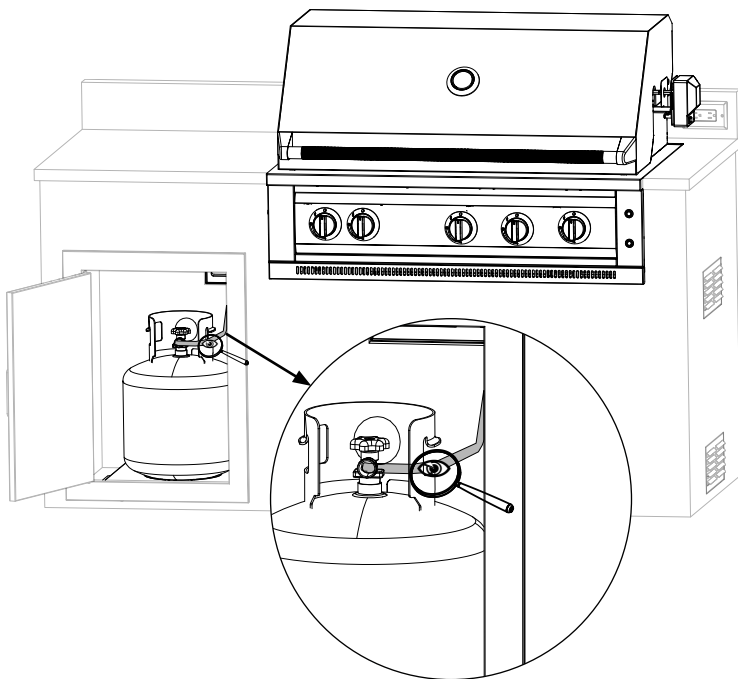
- Regularly wipe down the exterior surfaces with a damp cloth. Micro fiber cloths perform very well.
- Allow the surfaces to dry before installing the cover. Do not cover a damp grill.
- In extreme environments apply a rust inhibitor which leaves a microscopic protective layer on the grill. Products that provide a layer of vapor corrosion inhibitors (VpCI™) protect the surface very well.
- For seasonal storage use the product referred to above, ensure the grill is dry and then cover and secure the cover to minimize the amount of damp air getting to the surfaces.

THE NEWAGE WARRANTY DOES NOT COVER OCCASIONAL SURFACE RUST OR STAINING DUE TO ENVIRONMENTAL CONDITIONS.

ACCESSING AND INSPECTING THE CONDITION OF THE SUPPLY HOSE

STEP 1 OPEN DOOR

STEP 2 INSPECT THE CONDITION OF THE HOSE



HOSE SHOULD HAVE A SMOOTH SNAKED PATH TO PREVENT KINKS AND PREMATURE FAILURE. PLEASE EXAMINE HOSE AND FITTINGS FOR CRACKS, TEARS, OR WEAR MARKS FROM RUBBING ETC.

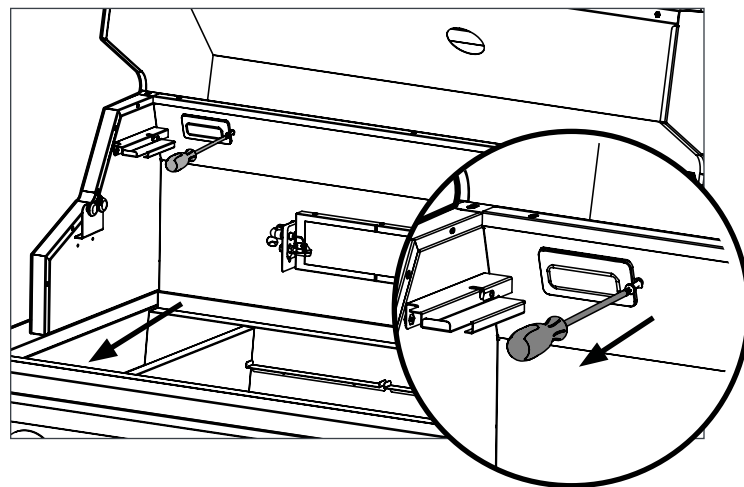
Replacing Lightbulbs

⚠ NOTE

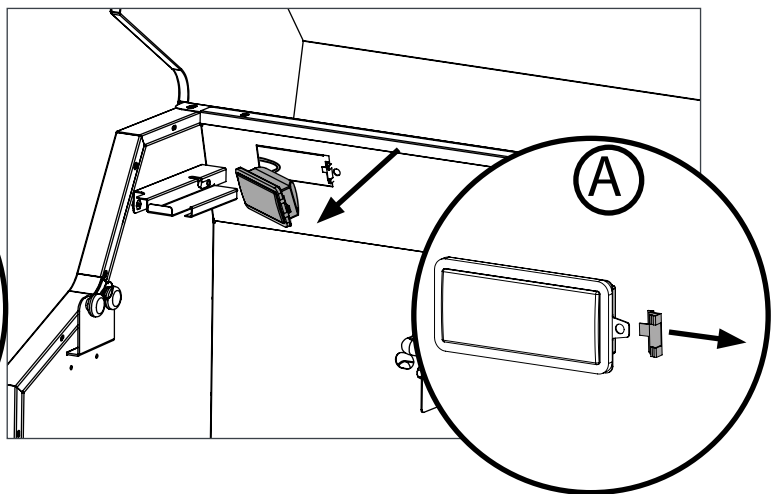
- Disconnect grill at power source before replacing lightbulbs
- The oil from your fingertips will reduce the life of the bulb. It is recommended to touch the bulb as little as possible and to wipe the bulb with a cloth after handling with bare fingers.

To replace the halogen bulb in your grill you must first remove the lens from the light housing. To remove the lens from the housing, remove the Philips screw securing the housing in place. Snap the lens out of the housing (including the metal bracket). Reach in using your fingers only, grip the two outside edges of the light bulb, do not grip the top or bottom of the bulb, as it might break. Insert the new bulb using your clean cloth and gently snap it into position.

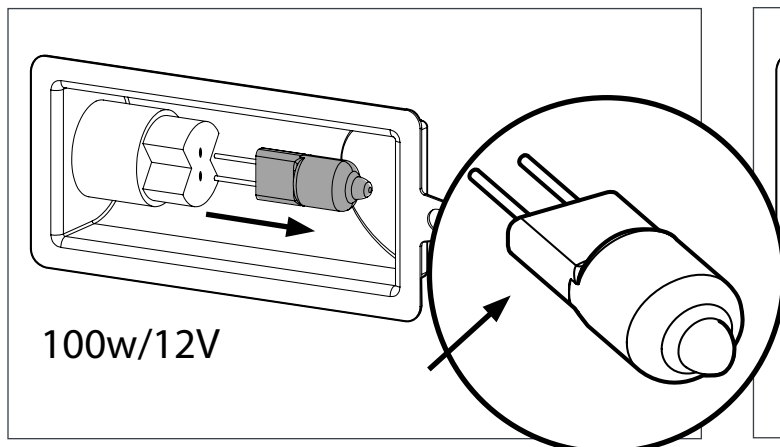
- 1** Begin by unplugging the grill from the power supply. Remove the screw holding the light housing to the grill using a #2 Phillips screwdriver.



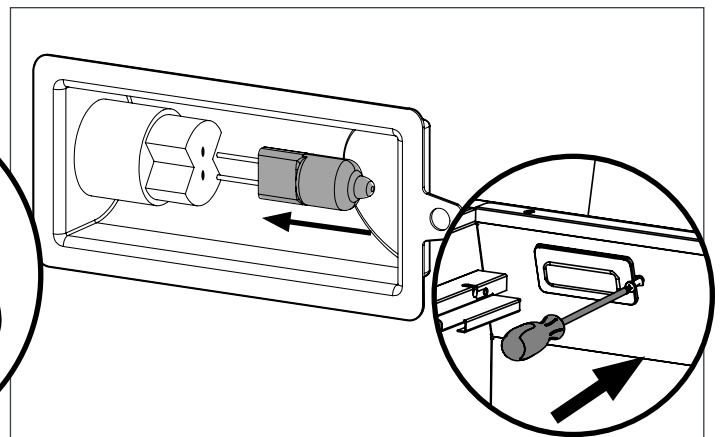
- 2** Carefully pull the housing out from grill, it will be attached by electrical wire so do not pull hard. Remove the clip holding the light cover to the main light housing.



- 3** With the light cover removed pull the halogen bulb out from light socket.



- 4** Replace bulb by pushing straight into light socket. Re-attach light cover, and re-install housing repeating steps 2. and 3. in reverse order.

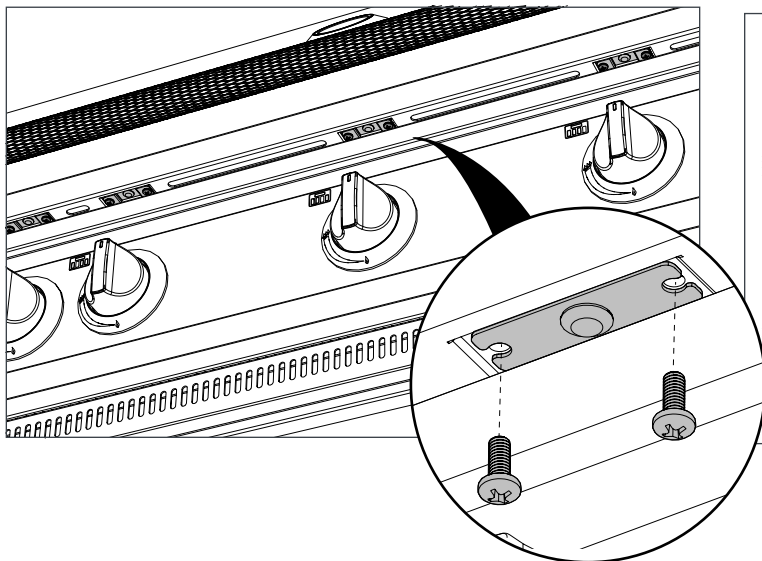


Replacing LED Lights

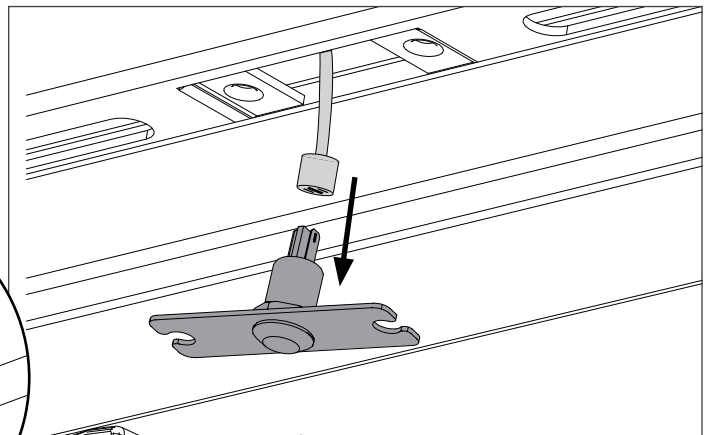
⚠ NOTE

- Disconnect grill at power source before replacing lightbulbs
- The oil from your fingertips will reduce the life of the bulb. It is recommended to touch the bulb as little as possible and to wipe the bulb with a cloth after handling with bare fingers.

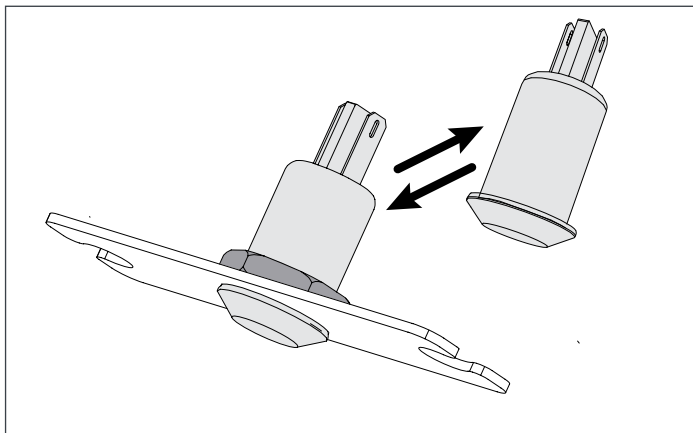
1 Remove the screws holding the LED light holder using phillips head screw driver.



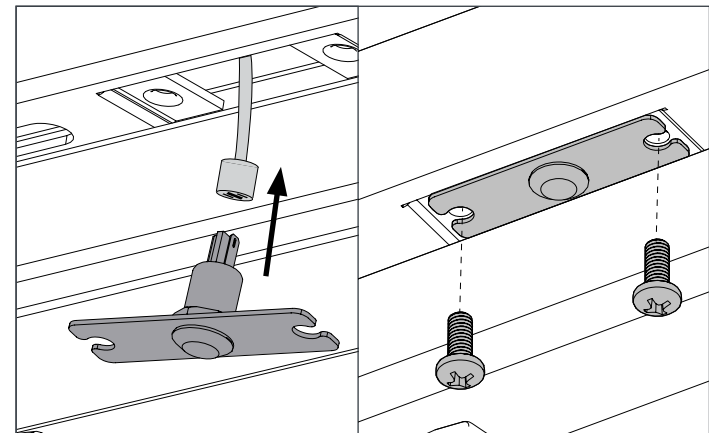
2 Remove the LED light assembly and disconnect it from the power connector.



3 Loosen the lock nut and replace the LED Bulb.



4 Connect the LED light assembly to the power connector and secure it to the grill with the two screws using phillips head screw driver.



Troubleshooting

Please check and confirm the following points before calling Customer Service.

1. Is there fuel supplied to the grill?
2. Is the main shut-off valve open?
3. Are you using the correct type of fuel for the grill? (Propane gas grill or Natural Gas grill)
4. Is your propane cylinder empty? Have you recently refilled the propane cylinder? If so, is the connection tight?
5. Is the grill plugged in to a live electric circuit?
6. Attempt to match light the burner (see page 45). Check to see that other burners on the unit operate. Clean electrode tip of any debris.

PROBLEM	POSSIBLE CAUSES
<p>1. Low heat/ Low flame when control knob turned to "High"</p>	<p>For propane - improper lighting procedure. Ensure lighting procedure is followed carefully. All gas grill valves must be in the off position when the tank valve is turned on. Turn tank on slowly to allow pressure to equalize. See lighting instructions.</p> <p>Low Fuel Check to see if propane tank is empty</p> <p>For natural gas - undersized supply line. Supply pipe diameter must be sized according to installation code.</p>
<p>2. Uneven heat</p>	<p>Ceramic briquette trays installed incorrectly. Ensure briquette trays are installed with the hole patterns running front to back. See assembly instructions. Pre-heat grill with main burners on high for 10minutes.</p> <p>Excessive grease and ash build on Ceramic briquette trays and in drip pan. Clean Ceramic briquette trays and drip pan regularly. Do not line pan with aluminum foil. Refer to cleaning instructions.</p>
<p>3. Burners burn with yellow flame, accompanied by the smell of gas.</p>	<p>Possible spider web or other debris, or improper air shutter adjustment. Thoroughly clean burner by removing. See general maintenance instructions. Open air shutter slightly according to combustion air adjustment instructions. (This must be done by a qualified gas installer.)</p>

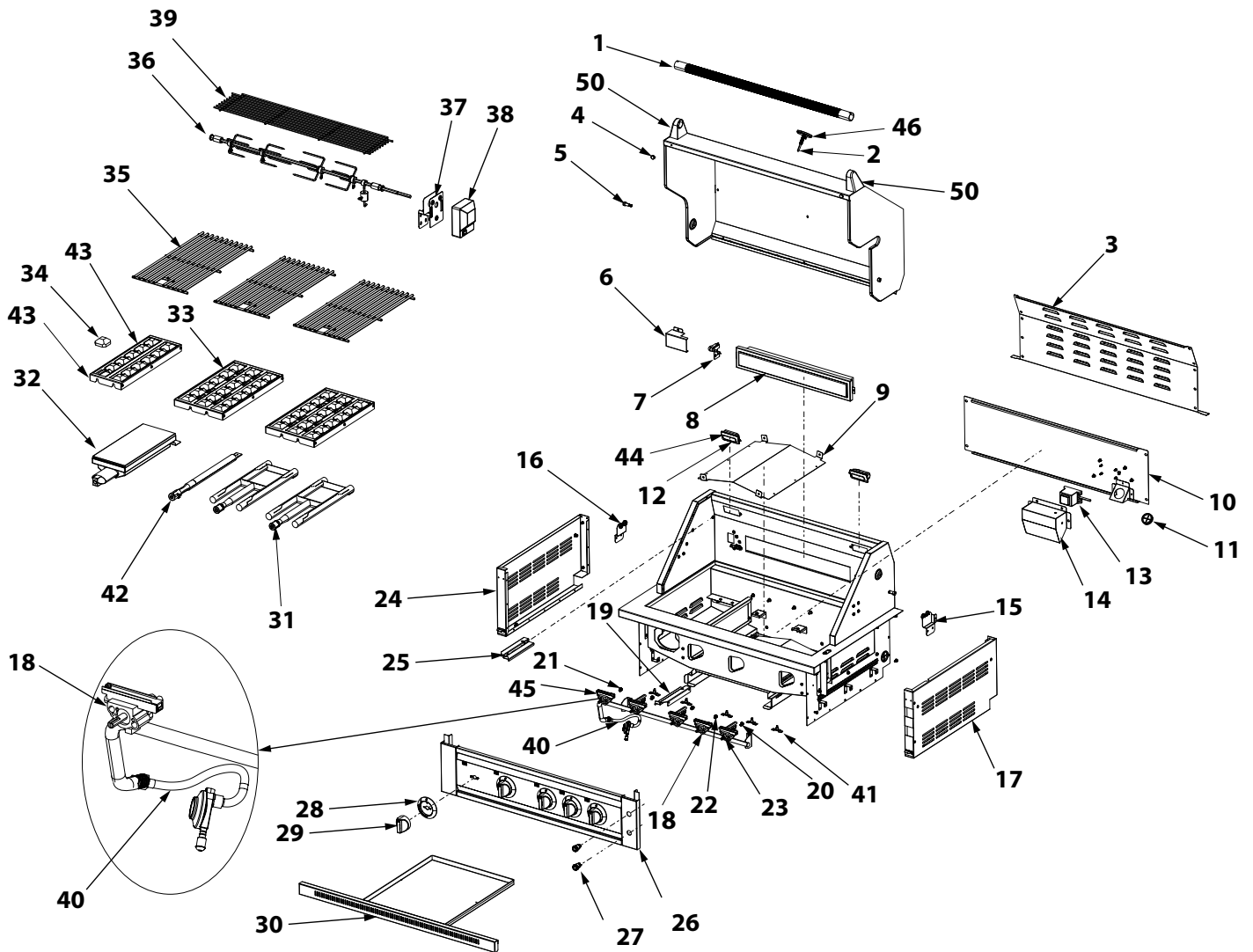
Troubleshooting

PROBLEM	POSSIBLE CAUSES
<p>4. Main burner will not light with the igniter, but will light with a match</p>	<p>electrode is covered by cooking residue Clean wire or electrode using a cloth and rubbing alcohol.</p> <p>Electrode and burners are wet Wipe with dry cloth.</p> <p>Ignition electrode cracked or broken; sparking where cracked Replace the valve. This must be done by a qualified gas installer.</p> <p>Flame thrower orifice is blocked Clean the orifice or replace the valve as required.</p> <p>Faulty igniter. Replace the valve. This must be done by a qualified gas installer.</p>
<p>5. Humming regulator.</p>	<p>This is not a defect. It is caused by internal vibrations in the regulator and does not affect the performance or safety of the gas grill. Humming regulators will not be replaced.</p>
<p>6. Burners will not cross light each other.</p>	<p>Grease, Food material, or Dirt build up. Clean the fire-bridge channels. Make sure the burner's side ports are clean.</p>
<p>7. Burner output on "high" setting is too low. (Rumbling noise and fluttering blue flame at burner surface.)</p>	<p>Lack of gas. Check gas level in propane cylinder.</p> <p>Supply hose is pinched. Reposition supply hose as necessary.</p> <p>Dirty or clogged orifice. Spider webs or other matter in venturi tube. Clean burner orifice . Clean out venturi tube. refer to page 8.</p> <p>Propane regulator in "low flow" state. All gas grill valves must be in the off position when the tank valve is turned on. Turn tank on slowly to allow pressure to equalize. See lighting instructions.</p>
<p>8. Infrared burner (if equipped) flashes back (during operation the burner abruptly makes a loud "whoosh" sound, followed by a continuous blow-torch type sound and grows dim.)</p>	<p>Ceramic tiles overloaded with grease drippings and build-up. Ports are clogged. Turn burner off and allow to cool for at least two minutes. Relight burner and burn on high for at least five minutes or until the ceramic tiles are evenly glowing red.</p> <p>Burner overheated due to inadequate ventilation (too much grill surface covered by griddle or pan.) Ensure that no more than 75% of the grill surface is covered by objects or accessories. Turn burner off and allow to cool for at least two minutes, then relight.</p> <p>Cracked ceramic tile. Allow burner to cool and inspect very closely for cracks. If any cracks are found, contact NewAge customer service for replacement option.</p> <p>Leaking gasket surrounding the ceramic tile, or a weld failure in the burner housing.</p>

Troubleshooting

PROBLEM	POSSIBLE CAUSES
<p>9. Grill and control panel lights not working</p>	<p>Unit not connected to power. Plug transformer cord into power box (from working GFI protected outlet).</p> <p>Faulty transformer. Check transformer output – should be 12VAC. Replace if required.</p> <p>Terminals on switch or circuit board are corroded or loose. Clean connections and ensure connectors are pushed together firmly. Access to circuit board is under electrical cover on left side of cabinet.</p>
<p>10. Burner goes out</p>	<p>Location of grill High wind and wind directly on the back of the grill can cause blow-outs. Locate the grill towards the prevailing wind.</p> <p>Check flame Follow steps outlined in Step 8. of troubleshooting</p> <p>Burners installed incorrectly Correctly-installed burners should be seated firmly and level with no side-to-side movement.</p>
<p>11. Burner goes out when set to low</p>	<p>Lack of gas. Check gas level in propane cylinder. Check main shut-off valve is open.</p> <p>Supply hose is pinched. Reposition supply hose as necessary.</p> <p>Dirty or clogged orifice. Spider webs or other matter in venturi tube. Clean burner orifice . Clean out venturi tube.</p> <p>Propane regulator in “low flow” state. All gas grill valves must be in the off position when the tank valve is turned on. Turn tank on slowly to allow pressure to equalize. See lighting instructions.</p>
<p>12. Rotisserie won't light</p>	<p>No power to ignition See Step 10.</p> <p>Burner won't light Refer to steps outlined in Step 12 & 13. of troubleshooting</p>
<p>13. Rotisserie lights and goes out immediately upon control knob release.</p>	<p>Continue holding safety valve button in depressed position until burner remains lit when released. Continue holding safety valve button in depressed position until burner remains lit when released.</p>

Exploded View and Spare Parts

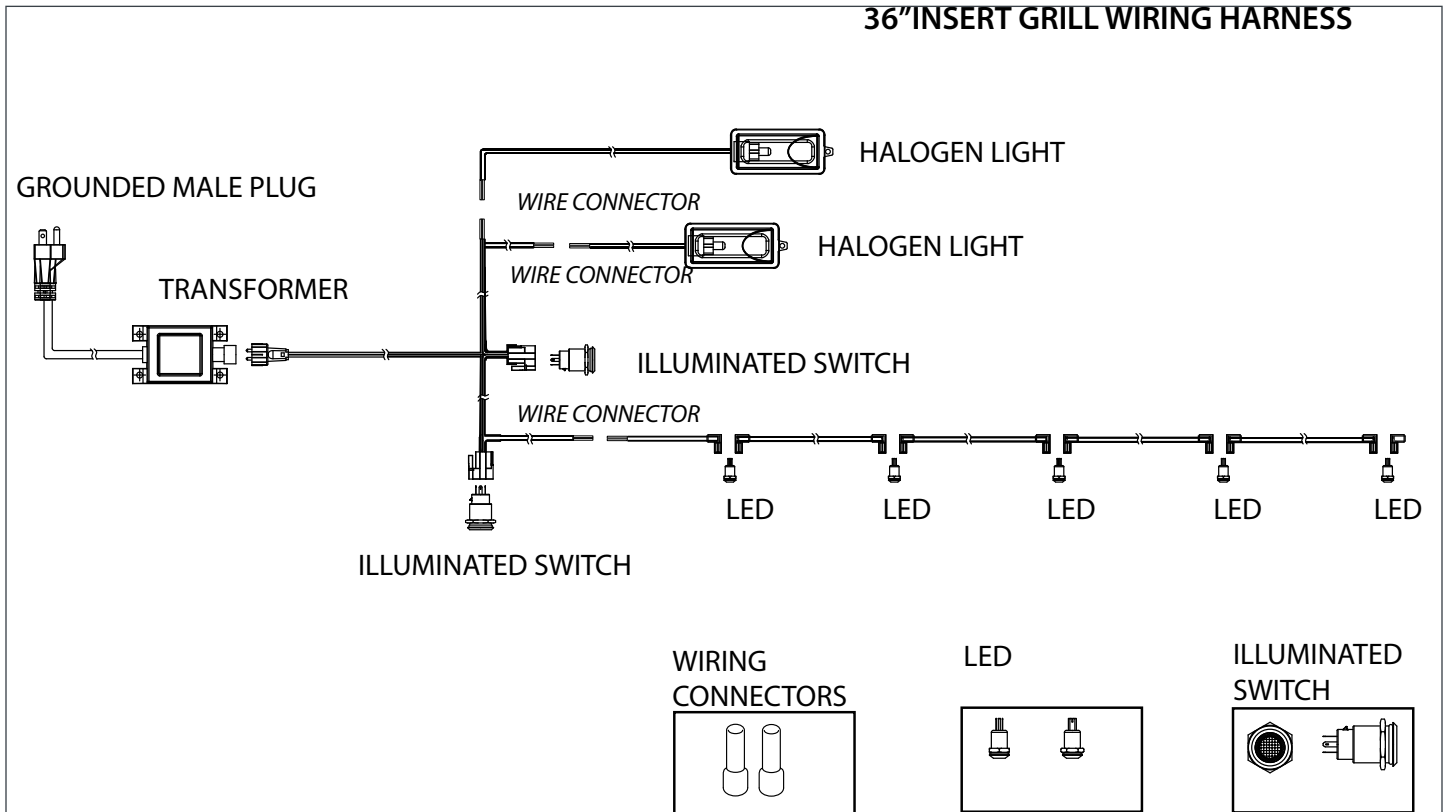


Exploded View and Spare Parts

Item No.	Eng. Part No.	Description	QTY	SKU No. for spares offered	Spare Part QTY
1	GL2-02.011.02A-01	Lid Handle	1	-	-
2	GL2-01.023.06A-01	Thermometer	1	66931	1
3	GL2-02.009A-01-XX	Top Back Panel	1	-	-
4	GL2-01.023.05A-01	Lid Bumper	2	-	-
5	H00362A-01	Slotted Shoulder Screw - Dia10x16, M8x1.25	2	-	-
6	GL2-01.018.02A-01	Burner Ignition Cover	1	-	-
7	GL2-01.018.03A-01	Rotisserie Ignition Assy	1	66925	1
8	GL2-02.008.02A-01	Rotisserie Burner	1	66923	1
9	GL2-02.001.03A-01-XX	Fire Box Heat Deflector Assy	1	-	-
10	GL2-02.006.01A-01	Outer Back Panel	1	-	-
11	GL2-01.001.03.04A-01	Power Plug Cable Grommet	1	-	-
12	GL2-01.018.04A-01	Halogen Light Assy	2	65932	1
13	GL2-01.010.03A-01	Transformer	1	65963	1
14	GL2-01.010.04A-01	Transformer Cover	1	-	-
15	GL2-01.017.02A-01	Rotisserie Rod Rest Assy RH	1	65927	1 Pair
16	GL2-01.016.02A-01	Rotisserie Rod Rest Assy LH	1		
17	GL2-01.004.01A-01	Outer Side Panel RH	1	-	-
18	GL2-01.006.01.03A-01	Rotisserie Burner Valve	1	66920	1
19	GL2-01.017.03A-01	Top Rack Support RH	1	66933	1
20	GL2-01.029A-01	Main Burner Propane Gas Orifice	3	66935	1
21	GL2-01.040.02A-01	Sear Burner Propane Gas Orifice	1	66835	1
22	GL2-02.015.02A-01	Rotisserie Burner Propane Gas Orifice	1	66937	1
23	GL2-01.006.01.02A-01	Burner Valve	3	65920	1
24	GL2-01.003.01A-01	Outer Side Panel LH	1	-	-
25	GL2-01.016.03A-01	Top Rack Support LH	1	66932	1
26	GL2-02.005A-01-XX	Control Panel Assy	1	-	-
27	H00361A-01	LED Switch	2	65924	1
28	GL2-01.021A-01-XX	Main Burner Bezel	5	66831	1
29	GL2-01.022A-01-XX	Burner Knob	5	65956	1
30	GL2-06.010A-01	Grease Tray Assy	1	66975	1
31	GL2-01.007A-01-XX	Main Burner Assy	3	66922	1
32	GL2-01.008A-01-XX	Sear Burner Assy	1	66844	1
33	GL2-01.011A-01-XX	Briquette Tray Assy - Large	2	66930	1
34	GL2-01.011.03A-01	Briquette	48	66929	1
35	GL2-06.009A-01-XX	Cook Grid	3	66840	1
36	GL2-06.015A-01-XX	Rotisserie Kit Assy	1	66976	1
37	GL2-01.024A-01-XX	Rotisserie Motor Support Bracket Assy	1	65930	1
38	GL2-01.025A-01-XX	Rotisserie Motor With Support Plate	1	65929	1
39	GL2-06.013A-01-XX	Warm Rack	1	66842	1

Item No.	Eng. Part No.	Description	QTY	SKU No. for spares offered	Spare Part QTY
40	GLE-04.008A-01	QCC1 Type Regulator and hose	1	64970	1
41	GL2-01.002.02A-01-XX	LED	4	65967	1
42	GL2-06.005A-01-XX	Tube Burner Assembly	1	66841	1
43	GL2-06.008A-01	Briquette tray assembly - 36in Platinum Grill 2.0	1	66843	1
44	GL2-01.018.04.002A-01	Halogen Light Glass Cover	2	65931	1
45	GL2-01.006.01.04A-01	Sear Burner Valve	1	66921	1
46	GL2-01.023.07A-01	Thermometer Bazel	1	66830	1
47	GL2-01.001.09A-01	Sear burner ignition Assy	1	66926	1
48	GL2-01.039.02A-01	Tube Burner Natural gas Orifice	1	66833	1
49	GL2-06.017A-01	LED Wire Harness Kit	1	65914	1
50	GL2-01.023.02A-01	1x Pair Handle Base LH & RH with 4x M6 screws	1 Set	67751	1

Wiring Diagram



NewAge Customer Service



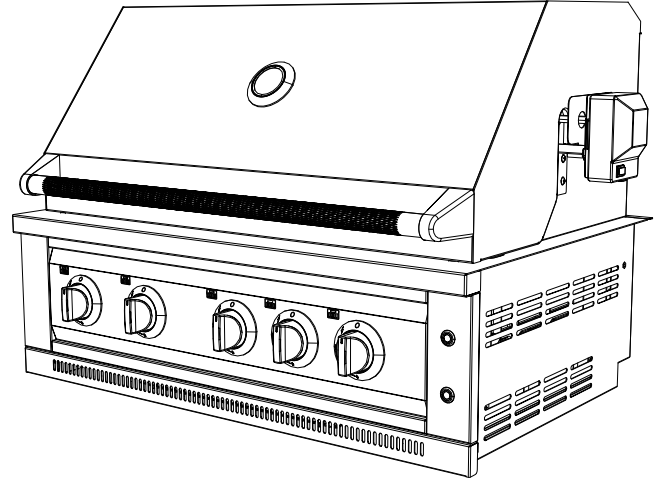
Please gather and have the following information available when contacting NewAge customer service:

- Model number
- Date of purchase
- Proof of purchase by the original owner
- Production code

The production code can be located on the back of the grill.

For fastest service, contact NewAge Products at 1-877-306-8930; or support@newageproducts.com.

NEWAGE PLATINUM GRILL DE 36 PO (GAZ PROPANE)



⚠ AVERTISSEMENT

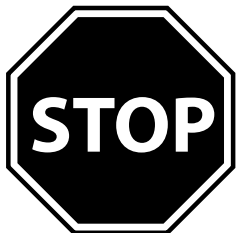
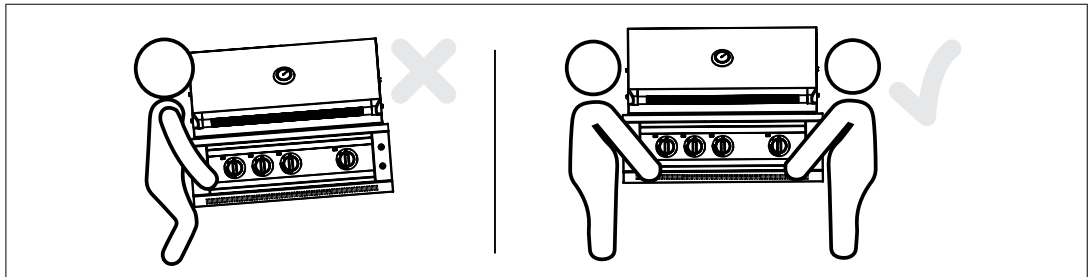
Si les informations contenues dans le mode d'emploi du gril ne sont pas suivies à la lettre, un incendie, une explosion ou une production de monoxyde de carbone peuvent se produire et causer des dommages matériels, des blessures ou des pertes de vie. Le monteur d'installation au gaz est responsable de l'installation correcte du gril.

GUIDE D'INSTALLATION ET MODE D'EMPLOI



Avertissement : Danger de charge excessive !

Pour éviter les blessures au dos, déplacez, assemblez et installez le gril avec l'aide de deux personnes ou plus. Ne laissez pas d'enfant sans surveillance près du gril ou des meubles.



ATTENTION : Votre gril est-il endommagé ?

Vous avez besoin d'assistance ou de pièces de rechange ? Pour obtenir un service plus rapide, contactez NewAge Products au 1 877 306-8930 ; ou écrivez à support@newageproducts.com. Ne retournez pas ce produit au détaillant.

CE MANUEL D'INSTRUCTIONS CONTIENT DES RENSEIGNEMENTS IMPORTANTS POUR L'ASSEMBLAGE ADÉQUAT ET L'USAGE SÉCURITAIRE DE L'APPAREIL.

LISEZ ET SUIVEZ TOUS LES AVERTISSEMENTS ET TOUTES LES INSTRUCTIONS AVANT D'ASSEMBLER ET D'UTILISER L'APPAREIL. SUIVEZ TOUS LES AVERTISSEMENTS ET TOUTES LES INSTRUCTIONS LORS DE L'UTILISATION DE L'APPAREIL. SI CE PRODUIT N'EST PAS UTILISÉ DANS UN ENDROIT BIEN VENTILÉ, CELA POURRAIT ENTRAÎNER DES DOMMAGES MATÉRIELS, DES BLESSURES OU LA MORT.

DANGER

Lisez et suivez entièrement les instructions de ce manuel avant d'installer, d'entretenir ou d'utiliser le gril afin de réduire le risque de :

1. Incendie
2. Dommages corporels ou matériels
3. Mauvaise installation

CE PRODUIT EST CONÇU POUR UN USAGE EXTÉRIEUR UNIQUEMENT. N'installez et n'utilisez pas à l'intérieur, dans un garage, sur une galerie protégée par un moustiquaire, dans un abri de jardin ou dans tout autre espace clos. Cet appareil à gaz pour la cuisson en plein air n'est pas destiné à être installé dans ou sur des véhicules de loisirs, des bateaux ou dans une pièce non ventilée. Si ce produit n'est pas utilisé dans un endroit bien ventilé, cela pourrait entraîner des dommages matériels, des blessures ou la mort. Veillez à ce que la zone entourant le gril soit dégagée et exempte de matières combustibles, d'essence et d'autres vapeurs et liquides inflammables.

AVERTISSEMENT

1. Ne pas entreposer ni utiliser de l'essence ni d'autres vapeurs ou liquides inflammables dans le voisinage de l'appareil, ni de tout autre appareil.
2. Une bouteille de propane qui n'est pas raccordée en vue de son utilisation, ne doit pas être entreposée dans le voisinage de cet appareil ou de tout autre appareil.

L'installation doit être conforme aux codes locaux ou, en l'absence de codes locaux, au National Fuel Gas code, ANSI Z223.1/NFPA 54 ou au National Gas and Propane installation code, CSA B149.1, au Propane Storage and Handling Code, CSA B149.2, ou à la norme Standard for Recreational Vehicles, ANSI A119.2/ NFPA et au CSA Z240 RV Series, Recreational Vehicle Code, selon le cas.

DANGER

1. L'appareil à gaz de cuisson extérieur et sa vanne de sectionnement individuelle doivent être déconnectés du système de tuyauterie d'alimentation en gaz lors de tout essai de pression de ce système à des pressions d'essai supérieures à 3,5 kPa (0,5 lb/po²).
2. L'appareil à gaz de cuisson extérieur doit être isolé du système de tuyauterie d'alimentation en gaz en fermant son robinet de sectionnement manuel individuel pendant tout essai de pression du système de tuyauterie d'alimentation en gaz à des pressions d'essai égales ou inférieures à 3,5 kPa (1/2 lb/po²).

DANGER

S'il y a une odeur de gaz :

- Coupez l'admission de gaz de l'appareil.
- Éteindre toute flamme nue.
- Ouvrir le couvercle.
- Si l'odeur persiste, éloignez-vous de l'appareil et appelez immédiatement le fournisseur de gaz ou le service d'incendie.

! AVERTISSEMENT

PROPOSITION 65 DE LA CALIFORNIE

1. Ce produit peut vous exposer à des produits chimiques, dont le monoxyde de carbone, qui est un sous-produit de combustion connu dans l'État de la Californie pour causer des cancers et des malformations congénitales ou d'autres atteintes à l'appareil reproducteur. Pour plus d'informations, consultez le site www.P65Warnings.ca.gov.
2. La loi californienne oblige les entreprises à avertir leurs clients d'une exposition potentielle à de telles substances. Pour réduire au minimum l'exposition aux substances, utilisez toujours cet appareil conformément aux instructions d'utilisation et d'entretien figurant dans ce manuel. Veillez à assurer une ventilation adéquate lorsque vous cuisinez.
3. La proposition 65 de la Californie mentionne la « silice cristalline », utilisée dans l'un des composants du brûleur à infrarouge, comme un agent connu en Californie pour provoquer le cancer.

! AVERTISSEMENT

ÉTAT DU MASSACHUSETTS

1. Le Massachusetts exige que toute installation au gaz soit installée par un plombier ou un monteur d'installation au gaz détenant le permis approprié du Massachusetts.
2. Toutes les installations au gaz naturel ou au propane installées de façon permanente nécessitent l'installation d'une valve à gaz manuelle de type poignée en « T » dans la conduite d'alimentation en gaz de cet appareil.
3. Cela ne s'applique pas aux installations de propane portables utilisant une bouteille de 20 livres.

! AVERTISSEMENT

1. Respectez toujours les dégagements requis par rapport aux constructions combustibles, comme indiqué. Le gril est conçu pour être utilisé à l'extérieur uniquement. Ne jamais utiliser dans un garage, un bâtiment, une remise, un passage couvert ou tout autre endroit fermé. Ce gril ne doit pas être utilisé sous une construction combustible suspendue non protégée.
2. Les grils à gaz ne sont pas certifiés pour les véhicules de loisirs, les remorques portables, les bateaux ou toute autre installation mobile, et ils ne doivent pas y être installés.
3. Gardez tout cordon d'alimentation électrique et tuyau d'alimentation en combustible à l'écart des surfaces chauffées. Les cordons électriques doivent être placés loin des allées pour éviter de créer un risque de trébuchement.
4. Ne réparez ou ne remplacez aucune pièce du gril, sauf si cela est spécifiquement recommandé dans ce manuel.
5. Toutes les conduites de gaz doivent être munies d'un dispositif d'arrêt facile et rapide d'accès. Assurez-vous que le propriétaire sait où se trouve le dispositif d'arrêt. Si vous sentez une odeur de gaz, vérifiez immédiatement s'il y a des fuites de gaz. Procédez à la vérification uniquement avec une solution d'eau et de savon. Ne vérifiez jamais les fuites de gaz avec une flamme nue.
(Consultez l'INDEX : « Test de fuite » pour plus de détails.)

REMARQUES IMPORTANTES

Ce barbecue à gaz est certifié selon les normes nationales canadiennes et américaines, ANSI Z21.58-2018 et CSA 1.16-2018 respectivement pour les grils à gaz extérieurs, et il doit être installé conformément aux codes locaux. En l'absence de codes locaux, procédez à l'installation selon les codes en vigueur suivants : CAN B149.2 Natural Fuel Gas Code et Propane Installation code, CSA B149.1 Code d'installation du propane au Canada ou National Fuel Gas Code, ANSI Z223.1/NFPA 54 National Fuel Gas Code, code sur le stockage et la manipulation du propane et du gaz naturel, CSA B149.2.

Si un moteur de rôtissoire est utilisé, il doit être mis à la terre conformément aux codes locaux ou, en l'absence de codes locaux, conformément au Code canadien de l'électricité CSA C22.1 en vigueur au Canada ou au National Electrical Code, ANS/NFPA 70, le Code canadien de l'électricité, partie 1, CSA 22.1.

MISE EN GARDE

1. Si vous souhaitez connecter l'appareil à un système de tuyauterie de carburant fixe et avez des questions sur l'installation, contactez "NEWAGE Product Inc", appelez l'équipe d'assistance clientèle > 1-877-306-8930 ; ou support@newageproducts.com
2. La garantie du produit peut être annulée si l'installation s'écarte des instructions d'installation fournies dans ce manuel.

NEWAGE PRODUCTS INC. GARANTIE DU FABRICANT PRO GRILLS

UNE PREUVE D'ACHAT EST REQUISE POUR OBTENIR UN SERVICE SOUS GARANTIE.

Veuillez avoir les renseignements suivants lorsque vous appelez notre équipe du service à la clientèle :

- Le nom, l'adresse et le numéro de téléphone
- Le nom du produit / numéro d'UGS
- Une description claire et détaillée du problème
- Une preuve d'achat, y compris un numéro de commande

Enregistrez votre achat de produits NewAge en ligne pour obtenir une assistance à la clientèle plus rapide et un accès à des avantages exclusifs

Visitez www.newageproducts.com/register/

Réclamation sous garantie

Pour un service sous garantie, veuillez contacter NewAge Products au **1 877 3068930** ; ou écrivez à support@newageproducts.com.

Veuillez consulter tous les détails de la garantie ci-dessous, avant de contacter NewAge Products pour une réclamation.

Balayez le code à barres 2D à droite pour accéder à la page d'assistance ou visitez le www.newageproducts.com/contact-us/



Balayez ce code à barres 2D avec la caméra de votre téléphone mobile pour visiter le Centre d'assistance de NewAge Products

www.newageproducts.com/support-hub/

GARANTIE LIMITÉE DE 10 ANS

NewAge est fière d'offrir une garantie complète du produit pour une période de (De cinq ans à compter de la date d'achat.). Sous réserve des limitations et des exclusions de responsabilité énoncées ci-dessous ou dans toute autre documentation relative au produit, NewAge fournit les garanties supplémentaires suivantes au client initial :

Durée de la garantie	Articles couverts par la garantie	Coût pour NewAge	Coût pour le client
5 ans	Fourchettes et brochettes de rôtisserie, rouleaux de rôtisserie, grilles de gril, bacs à graisse, brûleur de rôtisserie en céramique, brûleur de saisie en céramique, brûleur en forme de H et brûleurs latéraux	Matériaux	Expédition
10 ans	Couvercle de gril en acier inoxydable / boîtier de brûleur / supports intérieurs	Matériaux	Expédition

CE QUI EST COUVERT

Pendant la durée de la garantie à compter de la date d'achat, lorsque ce produit est installé, utilisé et entretenu conformément aux instructions fournies, NewAge Products Inc. remplacera les pièces ou le produit défectueux, si le bris provient d'un défaut de matériau ou de fabrication.

CE QUI N'EST PAS COUVERT

1. Les appels de service pour corriger l'installation de tout produit NewAge ou pour vous montrer comment l'utiliser ou l'installer.
2. Les dommages résultant des produits causés par un accident, une mauvaise utilisation, un abus, un incendie, une inondation, une installation inadéquate, un cas fortuit, une négligence, une modification ou une mauvaise manipulation.
3. Les produits endommagés en raison d'une charge supérieure au poids maximum précisé dans les instructions fournies avec le produit.
4. Les réparations ou le remplacement lorsque votre produit est utilisé pour un usage autre que résidentiel normal, comme dans un milieu commercial, ou manipulé d'une manière incohérente avec les instructions d'installation comprises avec le produit.
5. Des dommages cosmétiques qui se produisent après l'achat du produit par le client, y compris les éraflures, les entailles, la corrosion ou les taches sur le matériau qui n'affecte pas la capacité fonctionnelle ou structurelle du produit.
6. Les surfaces endommagées en raison d'un usage inadéquat de produits chimiques et de détergents.
7. La décoloration due à la chaleur, par exemple à côté d'un gril, est une caractéristique de l'acier inoxydable.
8. La rouille de surface résultant des pluies acides ou de produits chimiques dans l'environnement
9. Une perte en raison d'un vol.
10. Des dommages résultant d'une utilisation contraindiquée du produit et non conforme au manuel d'instructions.
11. Tout coût de main-d'œuvre pendant la période de garantie.

L'acier inoxydable 304 utilisé dans la construction des meubles de cuisine extérieurs NewAge est très résistant à la rouille. Cependant, le chlore présent dans l'air émanant des piscines ou le sel de l'air marin peuvent provoquer l'apparition de rouille en surface et même créer une certaine corrosion par piqûres s'ils restent sur le produit. Nous vous suggérons de nettoyer toutes les surfaces en acier inoxydable au moins toutes les deux semaines afin de maintenir vos meubles en bon état. La réaction chimique du sel est facile à empêcher, mais elle est plus difficile lorsqu'il reste à la surface.

EXCLUSION DE GARANTIES IMPLICITES

DANS LA MESURE PERMISE, LES GARANTIES IMPLICITES, Y COMPRIS LES GARANTIES APPLICABLES DE QUALITÉ MARCHANDE OU DE CONFORMITÉ À UN USAGE PARTICULIER, SONT EXCLUES DANS LA LIMITE OÙ LA LOI LE PERMET. TOUTE GARANTIE IMPLICITE QUI POURRAIT ÊTRE IMPOSÉE PAR LA LOI DOIT SE LIMITER À UN AN, OU À LA PÉRIODE LA PLUS COURTE PERMISE PAR LA LOI. CETTE GARANTIE SE LIMITE À L'ACHETEUR D'ORIGINE. Certains États ainsi que certaines provinces ne permettent pas les limitations sur la durée d'une garantie implicite de qualité marchande ou de conformité, il est donc possible que les limitations ci-dessus ne s'appliquent pas à vous. Cette garantie vous donne des droits légaux particuliers et vous pourriez également disposer d'autres droits variant selon l'État ou la province.

LIMITATION DES RECOURS ; EXCLUSION DES DOMMAGES ACCESSOIRES ET INDIRECTS

EN VERTU DE CETTE GARANTIE LIMITÉE, VOTRE SEUL ET UNIQUE RECOURS DOIT ÊTRE LA RÉPARATION OU LE REMPLACEMENT DU PRODUIT, À NOTRE DISCRÉTION

COMME COMME INDIQUÉ AUX PRÉSENTES. NEWAGE NE DOIT PAS ÊTRE TENU RESPONSABLE DES DOMMAGES ACCESSOIRES ET INDIRECTS. Certains États et provinces ne permettent pas l'exclusion ou la limitation des dommages accessoires ou indirects, il est par conséquent possible que ces limitations et exclusions ne s'appliquent pas à vous. Cette garantie vous donne des droits légaux particuliers et vous pourriez également disposer d'autres droits variant selon l'État ou la province.

Index

Pratiques d'exploitation sécuritaires	7
Pièces fournies	12
Outils requis	13
Inspection du produit	13
Product Specifications	14
Installation d'un grill sur un meuble/chariot NewAge	15
Installation d'un grill sur un meuble NewAge	17
Installation d'un grill sur un meuble sur mesure	18
Assemblage du grill	24
Assemblage et installation de la trousse de rôtisserie	25
Accessoires optionnels	27
Raccordements au gaz	32
Instructions pour les tests de fuite	40
Connexions électriques	42
Liste de contrôle précédent la cuisson.	43
Allumer le grill	44
Fonctionnement général du grill et procédures de cuisson	48
Entretien et nettoyage du grill	52
Remplacement des ampoules	56
Remplacement des lampes à DEL	57
Dépannage	58
Vue éclatée et pièces de rechange	61
Schéma de câblage	63
Service à la clientèle de NewAge	63

Pratiques d'exploitation sécuritaires

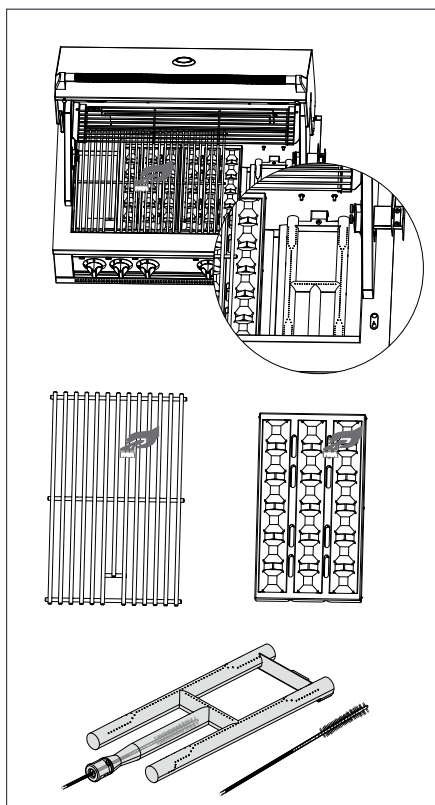
1. Le gril NewAge doit être assemblé et installé conformément aux instructions du manuel.
2. Lisez le manuel d'instructions en entier avant d'utiliser le gril.
3. Le gril NewAge doit être utilisé à l'extérieur dans un endroit bien ventilé, et il ne peut pas être utilisé à l'intérieur, dans un endroit fermé tel qu'un garage, sur une galerie protégée par un moustiquaire, dans un abri de jardin ou tout autre endroit fermé similaire.
4. Les grils NewAge ne sont pas conçus ni certifiés pour des véhicules de loisirs, des remorques portables, des bateaux et ne doivent pas y être installés.
5. N'utilisez jamais le gril dans des conditions venteuses. S'il est situé dans une zone constamment exposée au vent, en bord de mer, au sommet d'une montagne, etc., un pare-vent sera nécessaire. Respectez toujours les dégagements spécifiés, comme décrits dans la section INSTALLATION de ce manuel. **Reportez-vous à la page 11 pour de plus amples informations.**
6. Ne modifiez pas le gril NewAge.
7. N'utilisez pas le gril NewAge sous, ou près d'une construction combustible.
8. Maintenez un espace suffisant par rapport aux combustibles, 457 mm (18 po) à l'arrière de l'appareil, 356 mm (14 po) sur les côtés. Un dégagement supplémentaire de 810 mm (32 po) est recommandé près des parements en vinyle ou des panneaux en verre.
9. Fermez toujours la vanne principale de la bouteille de gaz propane après chaque utilisation.
10. Si vous utilisez une bouteille de propane (réservoir de propane), fermez toujours le robinet principal de la bouteille de gaz propane après chaque utilisation.
11. N'utilisez jamais de bouteille de propane bosselée, rouillée ou endommagée.
12. Il n'est pas possible de ranger une bouteille de gaz propane de rechange sous le gril à gaz.
13. Ne raccordez et ne détachez jamais une bouteille de gaz propane, et ne déplacez et ne modifiez pas les raccords de gaz lorsque le gril fonctionne ou est chaud.
14. N'utilisez que des bouteilles de propane avec un raccordement de type QCC1.
15. Lorsque la bouteille de propane est raccordée à l'appareil, le gril à gaz et la bouteille doivent être rangés à l'extérieur dans un espace bien ventilé.
16. Lorsque le gril à gaz doit être rangé à l'intérieur, le raccord entre la bouteille de propane et le gril à gaz doit être débranché et la bouteille doit être retirée et rangée à l'extérieur dans un espace bien ventilé, hors de portée des enfants. Les bouteilles débranchées ne doivent pas être rangées dans un bâtiment, un garage ou tout autre espace clos.
17. Les appareils à gaz naturel doivent être déconnectés de l'alimentation lorsqu'ils sont rangés à l'intérieur.
18. Inspectez le tuyau d'alimentation en carburant avant chaque utilisation. S'il y a des signes d'abrasion ou d'usure excessive ou si le tuyau est coupé, avant d'utiliser le gril à gaz, il doit être remplacé par un tuyau de rechange spécifié par le fabricant du gril.
19. Il faut effectuer un test d'étanchéité de l'appareil avant la première utilisation, une fois par an et à chaque remplacement d'un composant du gaz. **Consultez la page 9 pour des renseignements supplémentaires.**
20. Utilisez uniquement un circuit protégé par un disjoncteur différentiel de fuite à la terre (DDFT) avec cet appareil de cuisson à gaz d'extérieur.
21. Suivez attentivement les instructions d'allumage lorsque vous utilisez le gril.
22. Les commandes du brûleur doivent être éteintes lorsque le robinet de la bouteille d'alimentation est ouvert.
23. Le couvercle du gril doit être complètement ouvert pendant l'allumage du gril. Le non-respect de cette règle risque d'entraîner une explosion et des blessures ou la mort.
24. Ne vous penchez jamais par-dessus le grill et gardez le visage loin de celui-ci lorsque vous l'allumez.
25. Ne laissez jamais votre tuyau de gaz toucher votre boîtier de brûleur. **Consultez la page 10 pour des renseignements supplémentaires.**
26. Ne poussez pas le câble électrique dans le boîtier du grill. **Consultez la page 10 pour des renseignements supplémentaires.**
27. Utilisez toujours une main couverte lorsque vous ouvrez le couvercle du gril et faites-le toujours lentement pour permettre à la chaleur et à la vapeur de s'échapper.

Pratiques d'exploitation sécuritaires

28. Ne laissez pas le gril sans surveillance lorsqu'il fonctionne.
29. N'utilisez pas de papier d'aluminium pour tapisser les bacs d'égouttage ou les plateaux en céramique. Cela peut perturber gravement le flux d'air de combustion ou piéger une chaleur excessive dans la zone de contrôle. Il peut en résulter des boutons fondus ou des composants d'allumage endommagés.
30. Les adultes et les enfants doivent être informés des dangers des températures de surface élevées. Ne laissez jamais les enfants sans surveillance autour du gril NewAge.
31. Ne touchez jamais à mains nues les grilles, le couvercle ou les surfaces métalliques environnantes pendant que vous faites des grillades.
32. Le gril NewAge doit être refroidi avant de mettre le couvercle. Ne mettez jamais le couvercle lorsque vous cuisinez ou lorsque le gril est chaud.
33. Gardez tous les cordons électriques et les conduites d'alimentation en gaz loin des surfaces chauffées.
34. Ne grillez jamais sans que le bac d'égouttage soit installé. La graisse chaude peut s'écouler et produire un incendie ou une explosion.
35. Nettoyez régulièrement les bacs à graisse pour éviter les feux de graisse. **Consultez la page 9 pour des renseignements supplémentaires.**
36. Les araignées et les insectes aiment nicher dans les brûleurs, les venturis, les valves et les orifices d'un gril, ce qui perturbe l'écoulement du gaz. Cette condition très dangereuse peut provoquer un incendie derrière le panneau de commande, endommageant le gril et risquant de provoquer des blessures. Si votre gril n'a pas été utilisé pendant longtemps, inspectez et nettoyez les brûleurs, les venturis, les valves et les orifices.
37. Nettoyez le gril avec précaution. Évitez les brûlures de vapeur ; n'utilisez pas d'éponge ou de chiffon humide pour nettoyer le gril lorsqu'il est chaud. Certains nettoyants produisent des fumées nocives ou peuvent s'enflammer s'ils sont appliqués sur une surface chaude.
38. Ne placez, ne rangez et ne faites pas fonctionner le gril sur un plan incliné. Si vous utilisez un chariot de gril, assurez-vous de bloquer les roues avant de faire fonctionner le gril.
39. N'utilisez pas de charbon de bois ou d'essence à briquet dans le gril. N'utilisez du charbon de bois qu'avec le plateau à charbon accessoire NewAge (vendu séparément).
40. Ne déplacez pas l'appareil pendant son utilisation.
41. N'utilisez pas de laveuse à pression pour nettoyer le gril NewAge.
42. Ayez toujours un extincteur ABC à portée de main - n'essayez jamais d'éteindre un feu de graisse avec de l'eau ou d'autres liquides.
43. Si le gril est installé par un installateur ou un technicien professionnel, assurez-vous qu'il vous montre l'endroit où se trouve la fermeture de votre alimentation en gaz. Toutes les conduites de gaz doivent être munies d'un dispositif d'arrêt facile et rapide d'accès. Si vous sentez une odeur de gaz, vérifiez immédiatement s'il y a des fuites de gaz. Procédez à la vérification uniquement avec une solution d'eau et de savon.
44. Ne retirez jamais la broche de mise à la terre du connecteur et n'utilisez jamais ce produit avec un adaptateur à deux broches non mises à la terre.
45. Pour votre sécurité personnelle, portez des vêtements appropriés lorsque vous faites un barbecue.
46. N'utilisez pas le gril pour cuire des viandes ou des produits trop gras qui favorisent les flambées. Pour contrôler les flambées, réglez les commandes pour abaisser la température. Si les flambées de votre gril sont incontrôlables, éteignez les brûleurs. N'utilisez pas d'eau pour éteindre les flambées. Pulvériser de l'eau sur une flambée peut faire exploser la graisse.

Remarque : CE MANUEL DOIT RESTER CHEZ LE PROPRIÉTAIRE DU PRODUIT POUR CONSULTATION ULTÉRIEURE

Pratiques d'utilisation sécuritaires



Nettoyez régulièrement les éléments de votre grill pour éviter les flambées et les feux de graisse

Tout comme les appareils de cuisson de votre maison, votre grill NewAge doit être régulièrement nettoyé et entretenu pour fonctionner au maximum de ses performances. Cela permet non seulement de produire des aliments plus savoureux et plus sains, mais aussi de réduire les risques de flambées dangereuses ou d'incendies de graisse.

Voici les zones clés à garder propres :

1. Retirez les grilles de cuisson et grattez les particules d'aliments en excès avec une brosse à barbecue après chaque utilisation. Pour un nettoyage en profondeur, faites tremper et frottez avec du savon à vaisselle et de l'eau plusieurs fois par saison.
2. Retirez le bac à graisse après chaque utilisation et grattez la graisse ou les morceaux de nourriture. Lavez avec du savon à vaisselle et de l'eau pour le garder propre.
3. Vos plateaux en céramique vont accumuler beaucoup de brûlures dues aux sauces et égouttures de graisse. Enlevez les résidus du plateau à l'aide d'un grattoir et utilisez une brosse métallique pour enlever les débris des briquettes.
4. Les brûleurs qui ne sont pas utilisés fréquemment peuvent être bloqués par les araignées qui sont attirées par l'odeur du gaz et qui construisent des toiles à l'intérieur des tubes du brûleur. Utilisez une brosse métallique pour nettoyer l'intérieur des brûleurs et enlever les débris de l'extérieur des brûleurs.
5. Grattez l'intérieur de votre boîte de brûleur au moins une fois par saison pour éliminer l'accumulation de carbone. Ramassez les débris à la pelle ou à l'aspirateur, réinstallez tous les composants et profitez d'une expérience de grillade beaucoup plus propre.

Tester vos raccords de tuyaux pour détecter les fuites de gaz

Les fuites de gaz sont un problème grave qui peut être facilement évité en effectuant un contrôle d'étanchéité simple et rapide chaque année ou chaque fois que des composants du gaz sont remplacés ou entretenus.

1. Assurez-vous que tous les boutons de commande du grill sont en position d'arrêt.

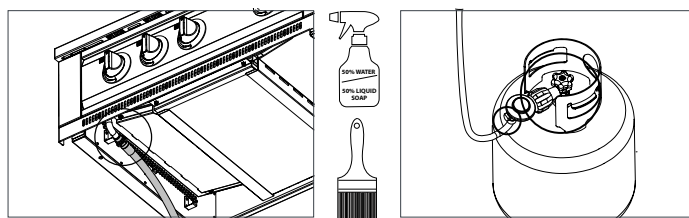
2. Allumez l'alimentation en combustible,

Pour le gaz propane

Effectuez un tour complet avec le bouton du robinet de la bouteille dans le sens inverse des aiguilles d'une montre.

Brossez ou pulvérisez une solution composée de 50% de savon liquide et de 50% d'eau sur tous les joints et raccords du régulateur, du tuyau, des collecteurs et des robinets.

3. Des bulles indiquent une fuite de gaz. Coupez **IMMÉDIATEMENT** l'alimentation en gaz et n'utilisez pas le grill avant d'avoir contacté un installateur de gaz licence pour remplacer les pièces défectueuses.

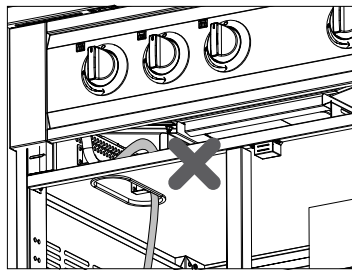


AVERTISSEMENT

Le test d'étanchéité doit être effectué avant la première utilisation, chaque année et chaque fois que des composants du gaz sont remplacés ou entretenus. Ne fumez pas pendant ce test et éliminez toute source d'allumage. Consultez le diagramme des tests de fuite pour connaître les zones à vérifier. N'effectuez jamais de test de fuite en utilisant du feu ou une flamme. Les étincelles ou les flammes nues provoqueront un incendie ou une explosion, des dommages matériels, des blessures corporelles graves ou la mort.

Pratiques d'utilisation sécuritaires

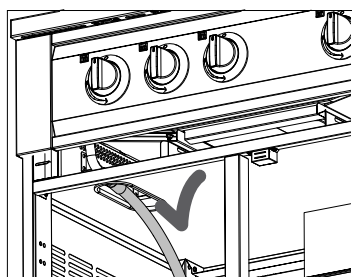
Ne laissez jamais votre tuyau de gaz toucher votre brûleur



Le dessous de votre grill devient incroyablement chaud. Pousser votre excès de tuyau dans la cavité située sous votre grill ou l'enrouler sous le boîtier du brûleur peut faire fondre le revêtement extérieur du tuyau de gaz et provoquer un incendie.

Que votre grill soit raccordé à une conduite de gaz naturel ou à une bouteille de propane, prenez ces mesures pour vous assurer que votre tuyau est bien positionné :

1. Assurez-vous que votre grill est **éteint** et **refroidi**.
2. Agenouillez-vous et cherchez dans la cavité le tuyau situé à gauche du grill.
3. Si le tuyau est entassé ou touche la boîte à feu, tirez le tuyau de gaz du bas du meuble jusqu'à ce que le surplus soit enlevé.
4. Assurez-vous que le tuyau ne présente pas de signes de fonte ou de dommages. Si des dommages se sont produits ou si vous n'êtes pas sûr de savoir comment vérifier, contactez [l'équipe de soutien à la clientèle > 1 877 306-8930](mailto:support@newageproducts.com) ; ou envoyez un courriel à support@newageproducts.com

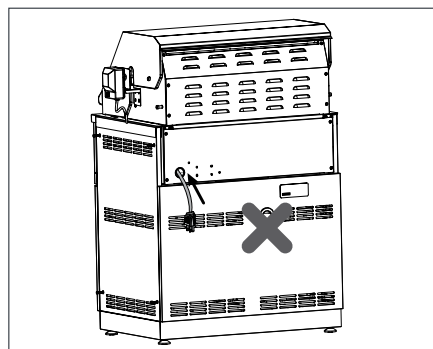
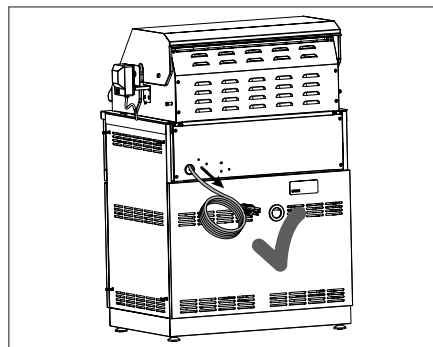


Ne poussez pas le câble électrique dans le boîtier du grill

Les grills NewAge sont équipés d'un éclairage à DEL sur les boutons de commande et à l'intérieur du grill, alimenté par un câble électrique situé à l'arrière de l'appareil. Il est très important de ne pas pousser de câble en trop dans le trou à l'arrière du grill.

Le boîtier du grill devient extrêmement chaud. Si vous rangez le câble de cette manière, il risque de s'entasser et de toucher la face inférieure du boîtier du brûleur, ce qui peut faire fondre le câble électrique et constituer un grave danger.

1. Repérez le câble électrique à l'arrière de votre grill.
2. Assurez-vous que le câble en excès n'est pas poussé dans le trou à l'arrière du grill et qu'il est complètement sorti à l'extérieur du grill.
3. Si le câble se trouvait à l'intérieur de l'appareil, tirez-le et vérifiez si le cordon n'est pas endommagé.
4. Si vous constatez que votre câble est endommagé, appelez [l'équipe du soutien à la clientèle > 1 877 306-8930](mailto:support@newageproducts.com) ; ou envoyez un courriel à support@newageproducts.com

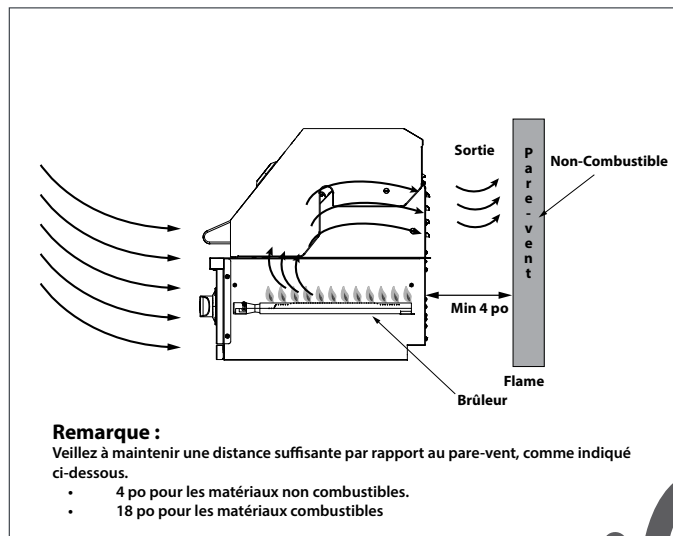
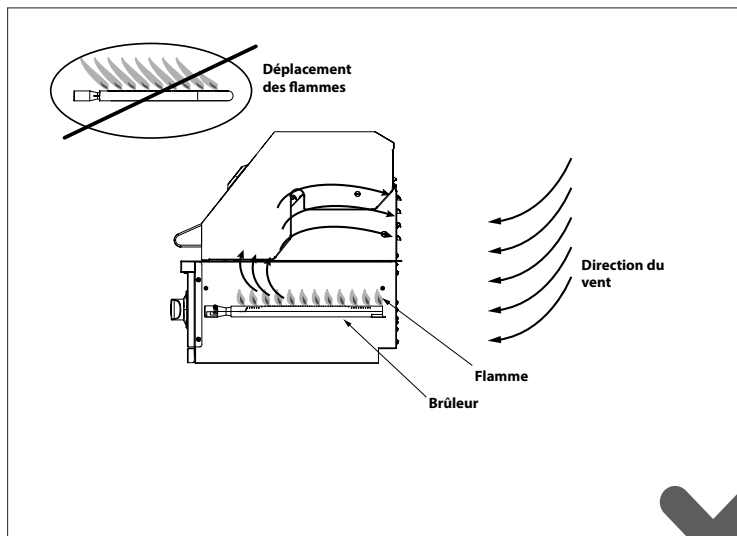


Pratiques d'utilisation sécuritaires

Utiliser le gril dans des conditions venteuses

⚠ AVERTISSEMENT

L'utilisation de votre gril dans des conditions venteuses peut perturber la circulation de l'air de l'avant vers l'arrière. Si, pendant que vous grillez avec tous les brûleurs en position haute et le couvercle fermé, vous remarquez que la jauge de température ne monte pas... soyez vigilant. Si le vent a empêché les gaz chauds de sortir par l'arrière du gril, le panneau de commande et les boutons peuvent être devenus extrêmement chauds.



Remarque :

Veillez à maintenir une distance suffisante par rapport au pare-vent, comme indiqué ci-dessous.

- 4 po pour les matériaux non combustibles.
- 18 po pour les matériaux combustibles

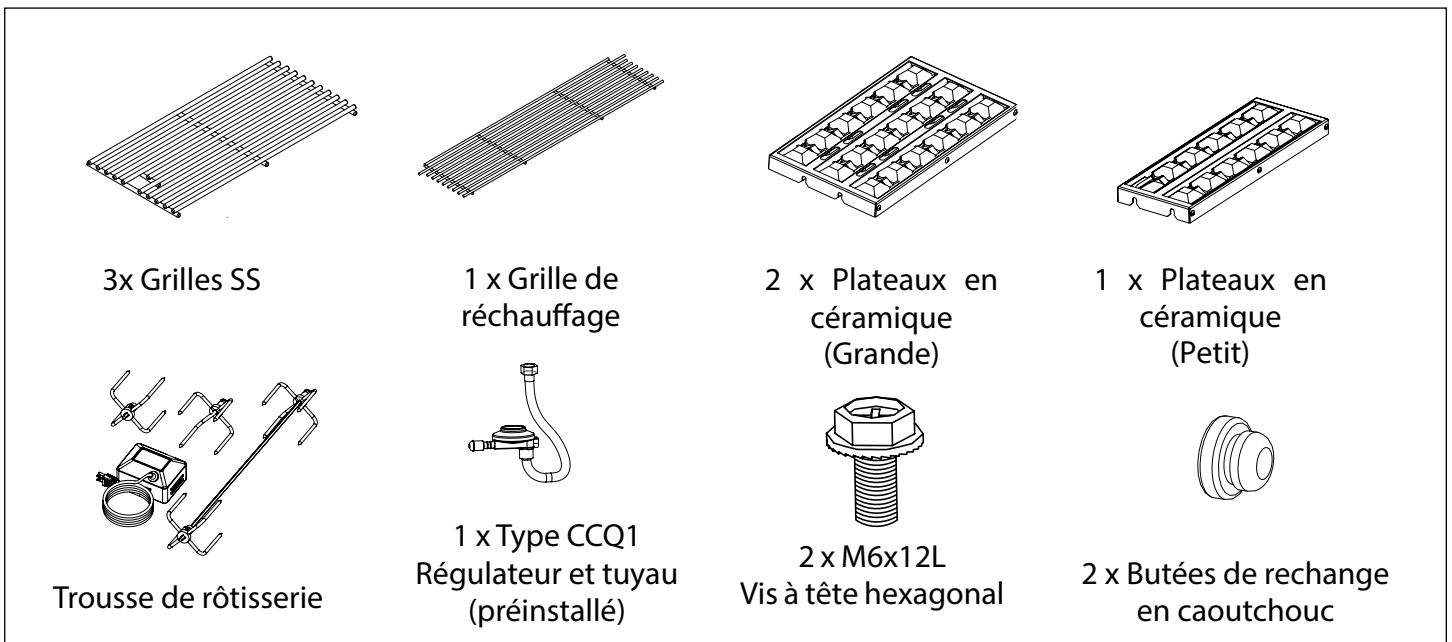
En cas de vent fort, il est préférable de ne pas utiliser votre gril. S'il est situé dans une zone constamment exposée au vent (front de mer, sommet d'une montagne, etc.), un pare-vent sera nécessaire. Respectez toujours les dégagements spécifiés dans le « Manuel d'installation ».

⚠ Remarque

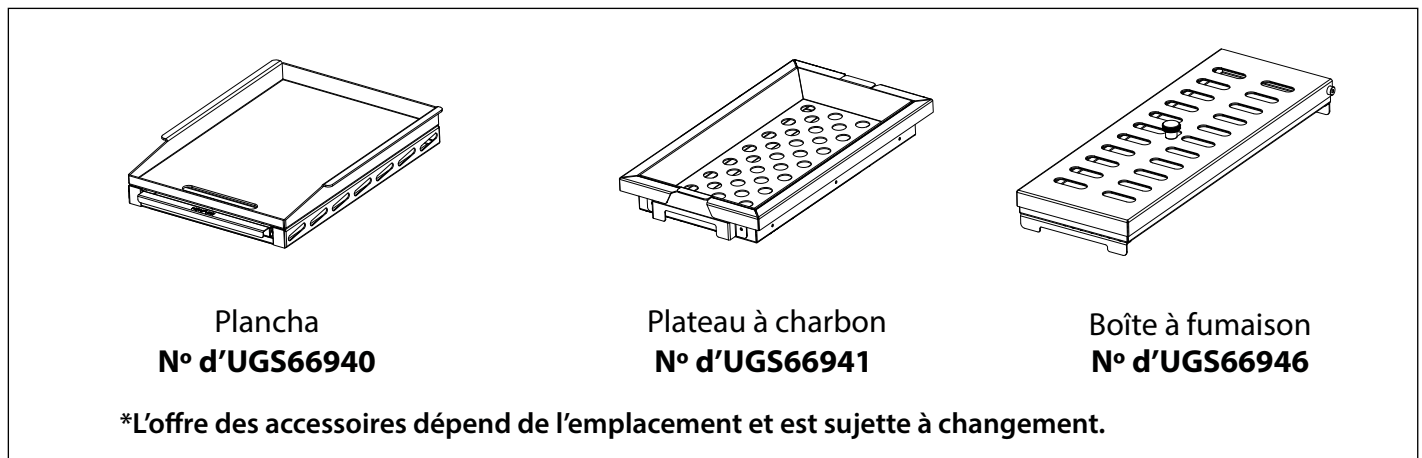
Tout dommage causé par une utilisation dans des conditions venteuses, comme des boutons ou des fils d'allumage fondus, ou une décoloration du panneau de commande due à une accumulation de chaleur, est exclu de la garantie.

Pièces fournies

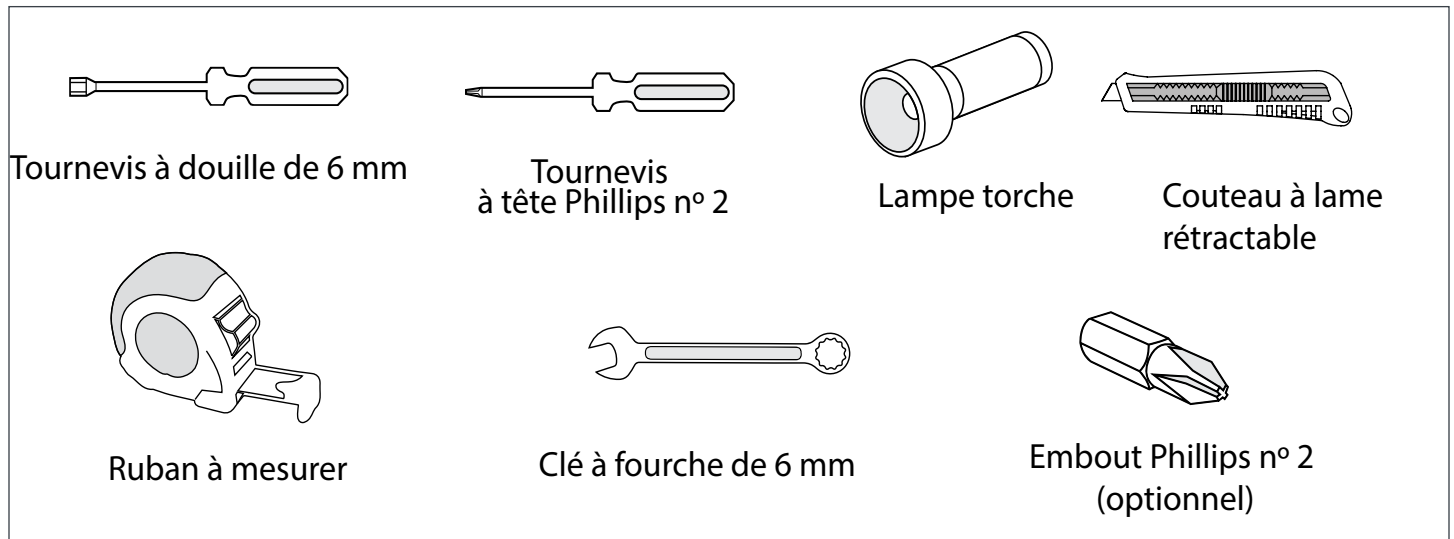
Parties principales du grill



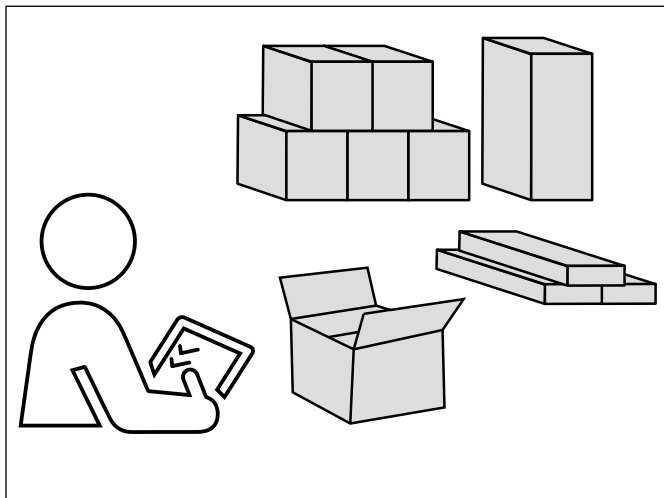
Accessoires optionnels



Outils requis

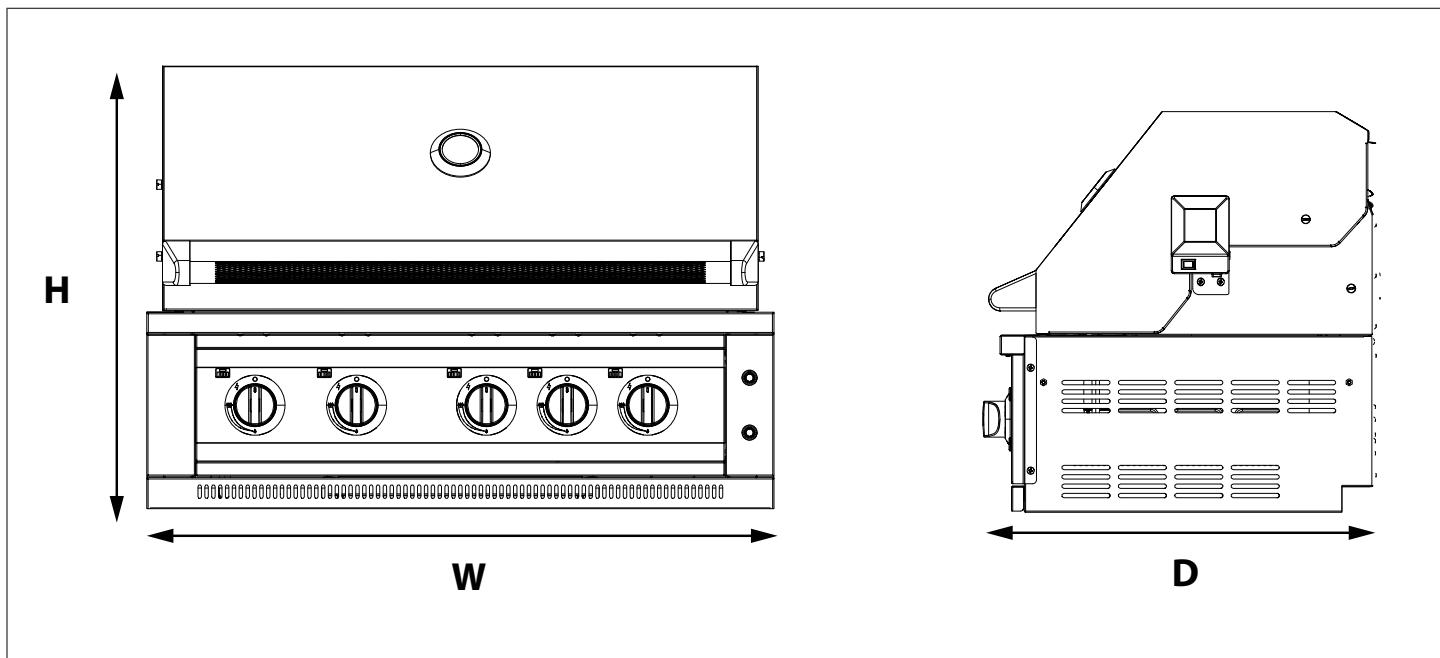


Inspection du produit



- Assurez-vous d'avoir reçu toutes les pièces conformément à la commande que vous avez passée.
- S'il manque des pièces, contactez NewAge Products au 1 877 306-8930.
- Avant de commencer l'installation, inspectez les produits pour y déceler tout dommage.
- Lisez attentivement les instructions d'installation avant de commencer l'installation.

Product Specifications



Gril NewAge de 36 po

Dimensions

Largeur (L)	36po
Profondeur (P)	24,2po
Hauteur (H)	25,3po

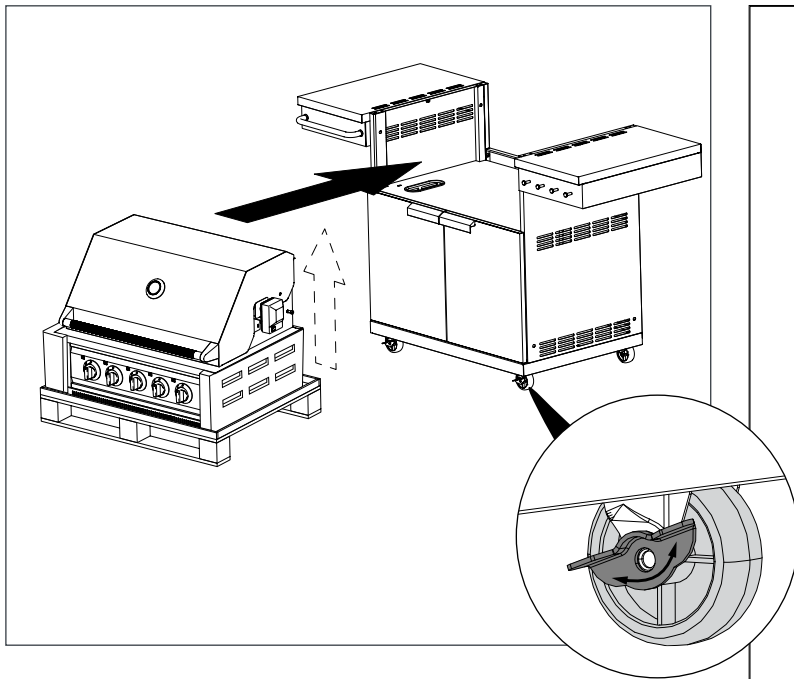
Détails

Matériau	Acier inoxydable	Zone de cuisson principale	559 Square inch
BTU du brûleur primaire	16 000 BTUs x 2 12,000 BTUs x 1	Zone de la grille de réchauffage	191 Square inch
BTU du brûleur de saisie	15,000 BTUs	Largeur de l'ouverture	31,5po
Brûleur de rôtisserie	13 500 BTUs	Profondeur de l'ouverture	22,3po
Type de carburant	Gaz propane	Hauteur de l'ouverture	11,2po
Production totale d'énergie	72,500 BTUs	Poids net	154,58 Lb

Installation d'un grill sur un meuble/chariot NewAge

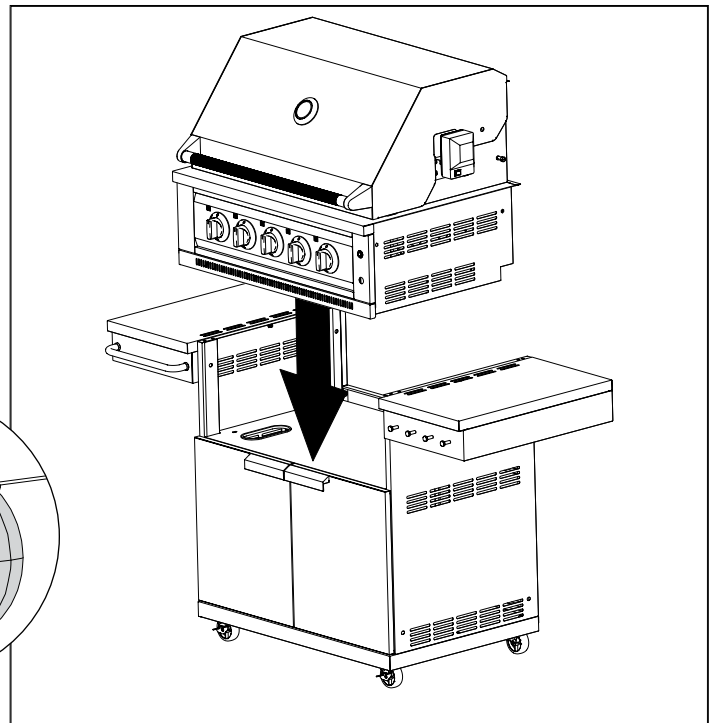
Pour des instructions plus détaillées sur les étapes d'installation, consultez le guide d'installation du meuble/chariot pour grill NewAge.

- 1** Verrouillez les roulettes (le cas échéant). Choisissez le grill de la palette d'expédition et placez-le directement dans l'armoire/chariot.

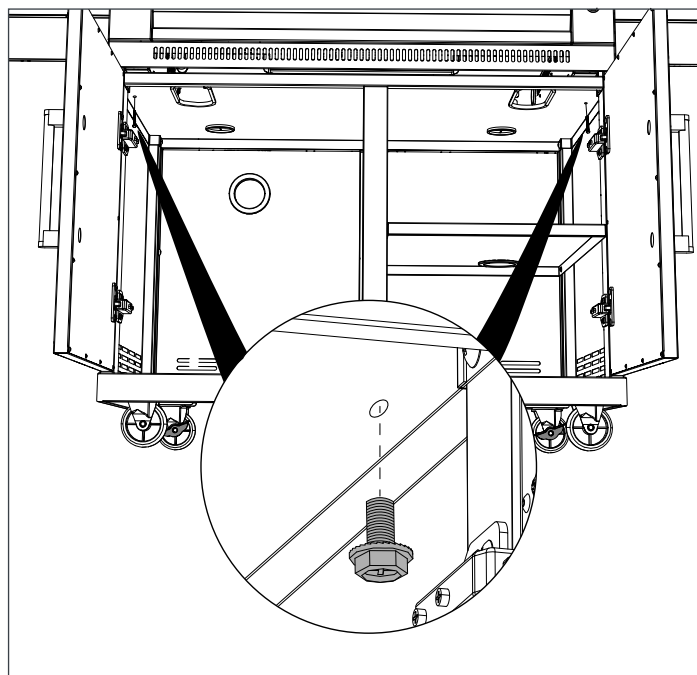


REMARQUE: Lorsque vous êtes prêt à installer l'appareil, placez-le directement sur l'armoire/chariot.

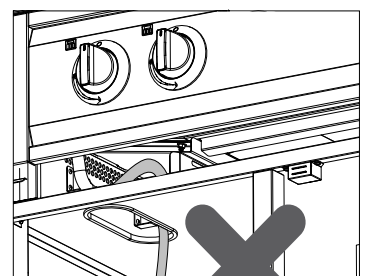
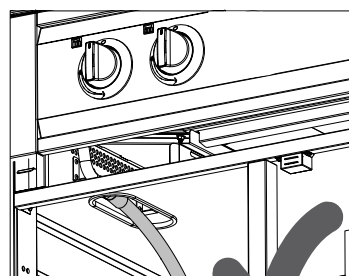
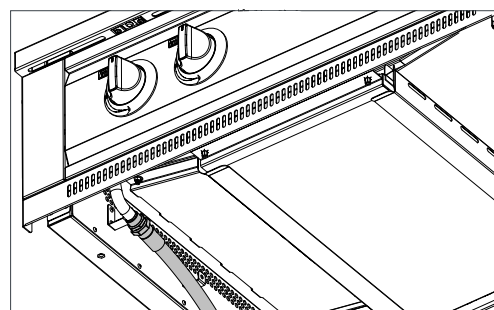
NE PAS placer l'appareil sur le sol ou sur une surface plane.



- 2** Fixez le grill à l'armoire/au chariot en insérant deux vis M6x12 mm fournies avec les armoires/chariots NewAge par le bas.

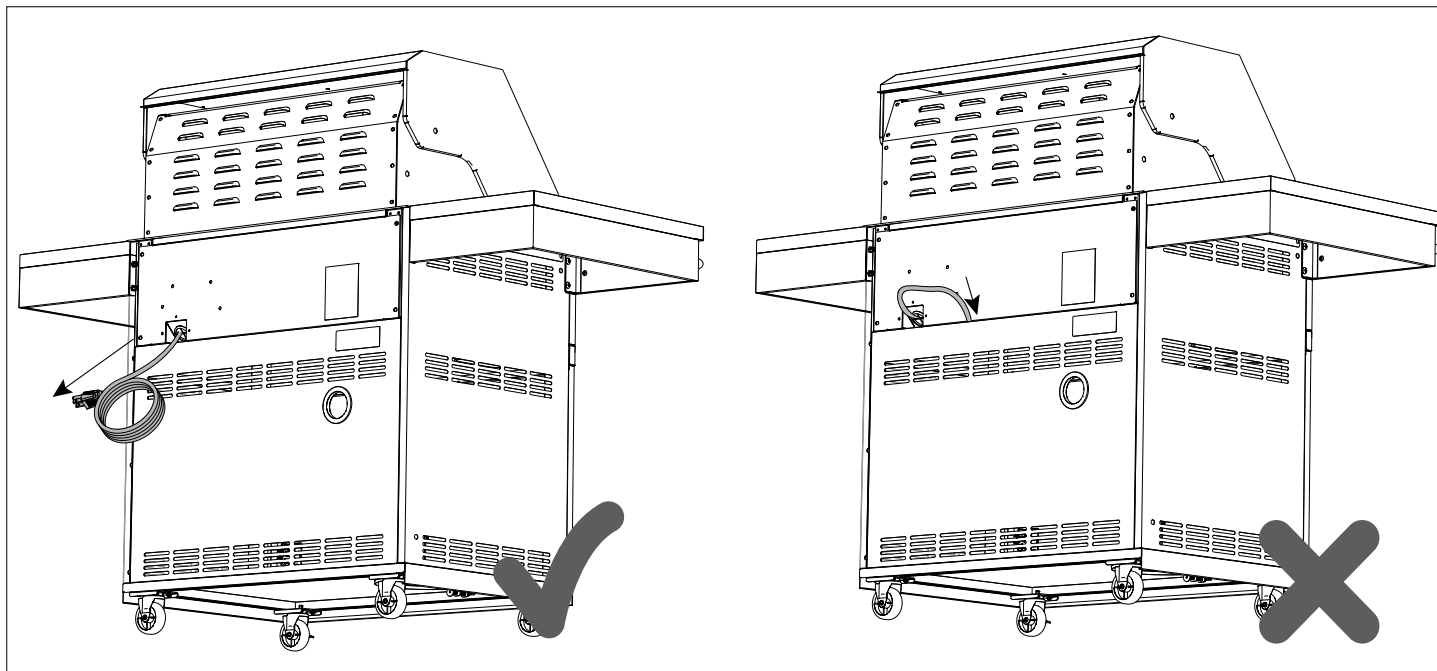


- i** Lorsque vous raccordez le tuyau de gaz au grill, assurez-vous que le tuyau n'est pas entassé sous le grill.

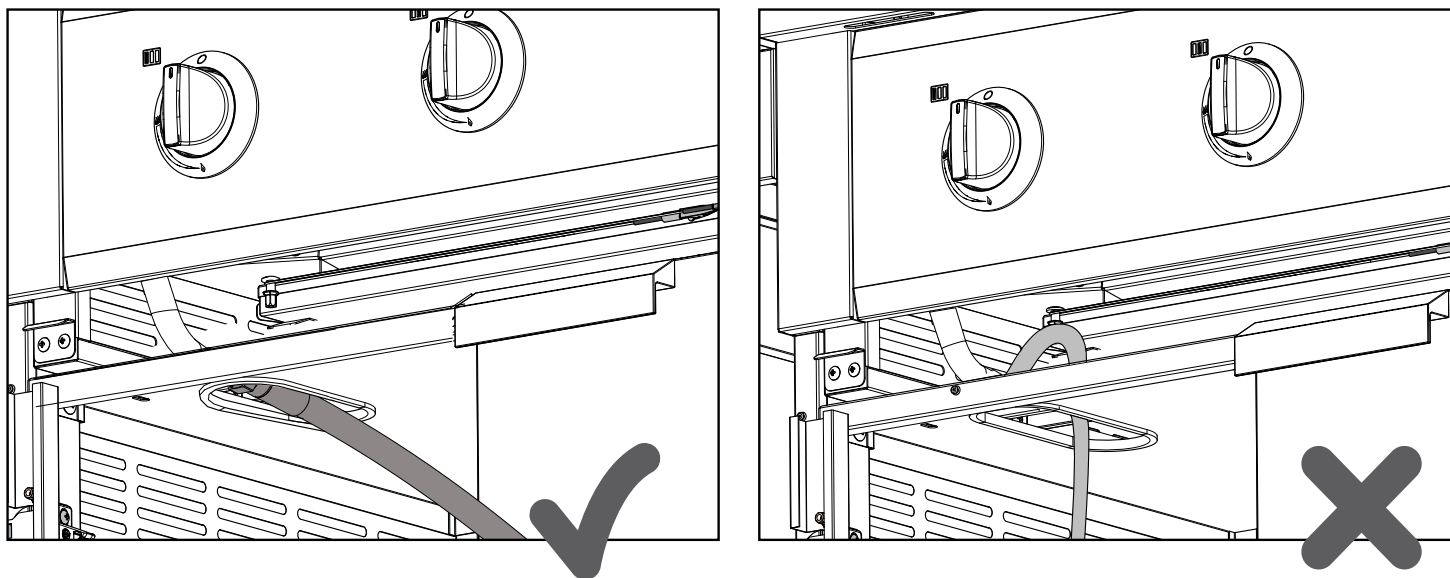


Installation d'un grill sur un meuble/chariot NewAge

REMARQUE: Faites passer le câble d'alimentation à l'extérieur du panneau arrière du chariot. NE faites PAS passer le câble sous le grill. (Applicable aux armoires de grill et aux chariots)

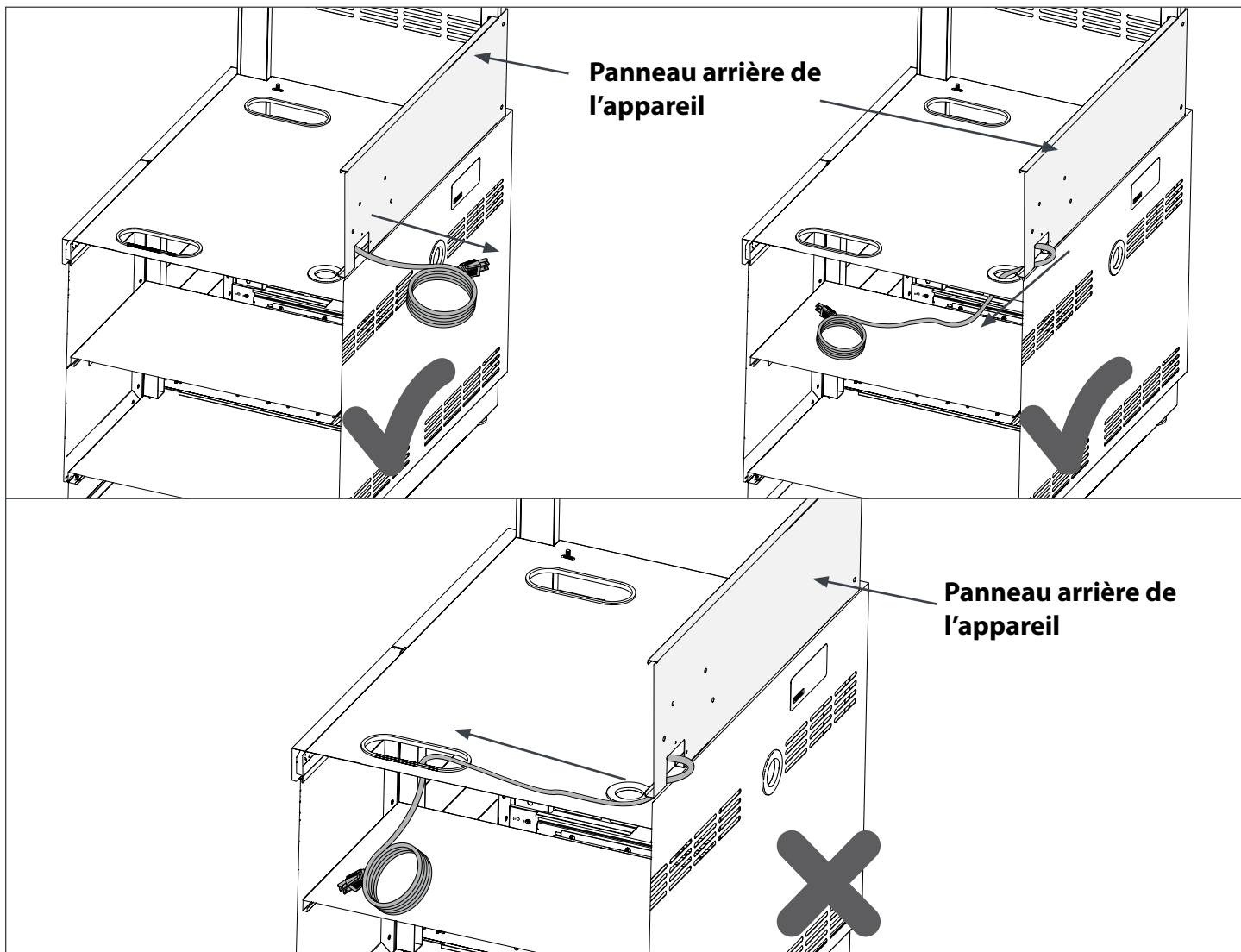


REMARQUE: Lors du raccordement du tuyau de gaz au grill, assurez-vous que le tuyau n'est pas enroulé sous le grill. (Applicable aux armoires de grill et aux arts à la fois)



Installation d'un grill sur un meuble NewAge

REMARQUE: Faites passer le câble d'alimentation à l'extérieur du panneau arrière de l'armoire. NE faites PAS passer le câble sous le grill. (Applicable aux armoires de grill et aux arts à la fois)



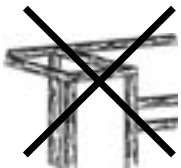
Installation d'un gril sur un meuble sur mesure

L'installation doit être conforme aux codes locaux ou, en l'absence de codes locaux, au National Fuel Gas Code, ANSI Z223.1/NFPA 54, au Storage and Handling of Liquefied Petroleum Gases, ANSI/NFPA 58 ; ou au Natural Gas et au Propane Installation Code, CSA B149.1 ; Propane Storage and Handling.

! MISE EN GARDE

1. Si vous souhaitez connecter l'appareil à un système de tuyauterie de carburant fixe et avez des questions sur l'installation, contactez "NEWAGE Product Inc", appelez l'équipe d'assistance clientèle > 1-877-306-8930 ; ou support@newageproducts.com
2. La garantie du produit peut être annulée si l'installation s'écarte des instructions d'installation fournies dans ce manuel.

! AVERTISSEMENT



Le cadre, les panneaux latéraux et le plan de travail des meubles doivent être fabriqués en matériaux non combustibles.

! AVERTISSEMENT



Une bouteille de propane ne peut pas être rangée sous le gril à gaz. Un seul réservoir de 20 livres en service doit être utilisé avec le gril.

! AVERTISSEMENT

1. Ne rangez et n'utilisez pas des produits contenant des liquides ou des vapeurs inflammables à proximité du gril NewAge, des meubles de cuisine extérieure NewAge ou de tout autre appareil.
2. N'entreposez pas de bouteille de gaz propane de rechange dans ou près du meuble de gril NewAge, des meubles de cuisine extérieure NewAge ou de tout autre appareil.

DÉGAGEMENTS :

D'UNE CONSTRUCTION NON COMBUSTIBLE

Un dégagement minimum de 10 cm (4 po) entre l'arrière du gril et la construction non combustible est nécessaire pour permettre l'ouverture complète du couvercle.

D'UNE CONSTRUCTION COMBUSTIBLE

Cet appareil ne doit PAS être installé au-dessus, au-dessous ou à côté d'une construction combustible non protégée.

Le dégagement minimum par rapport aux matériaux combustibles verticaux et arrière est de 45 cm (18 po) et 36 cm (14 po) sur les côtés.

Le dégagement vertical minimal par rapport aux matériaux combustibles signifie que TOUS les matériaux combustibles doivent se trouver en dehors de cette zone de 45 cm (18 po). À titre d'exemple, si vous avez un îlot avec une surface en stuc ou carrelée et une construction à ossature bois en dessous, le bois est considéré comme combustible, même si le gril touche la surface du stuc ou le carrelage, qui est non combustible. Dans certaines circonstances extrêmes, le bois pourrait devenir assez chaud pour brûler.

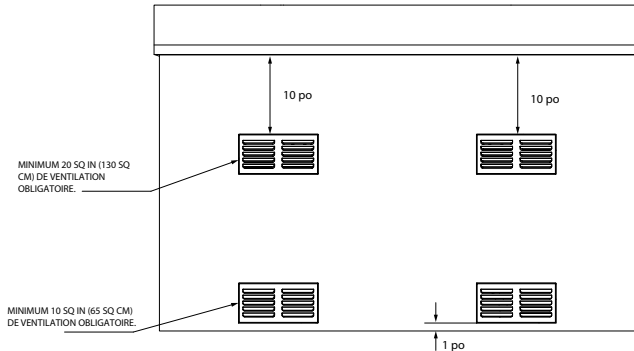
ORIFICES DE VENTILATION

Un minimum de trois orifices de ventilation de 65 cm² (10 po²) doivent être prévues au bas des côtés gauche et droit de votre enceinte (îlot), ainsi qu'à l'arrière. Un minimum de trois orifices de ventilation de 20 po² (130 cm²) doivent être prévues en haut des côtés gauche, droit et arrière de votre enceinte (îlot) à l'endroit où le haut de l'orifice s'aligne avec le bas de la découpe pour le gril. Ces orifices sont nécessaires pour dissiper en toute sécurité les vapeurs de gaz en cas de fuite dans votre enceinte.

Installation d'un gril sur un meuble sur mesure

Aménagement d'une enceinte non combustible

Exemple de configuration 1 : Avec fond à découpe fermée



Vue de dos



AVERTISSEMENT

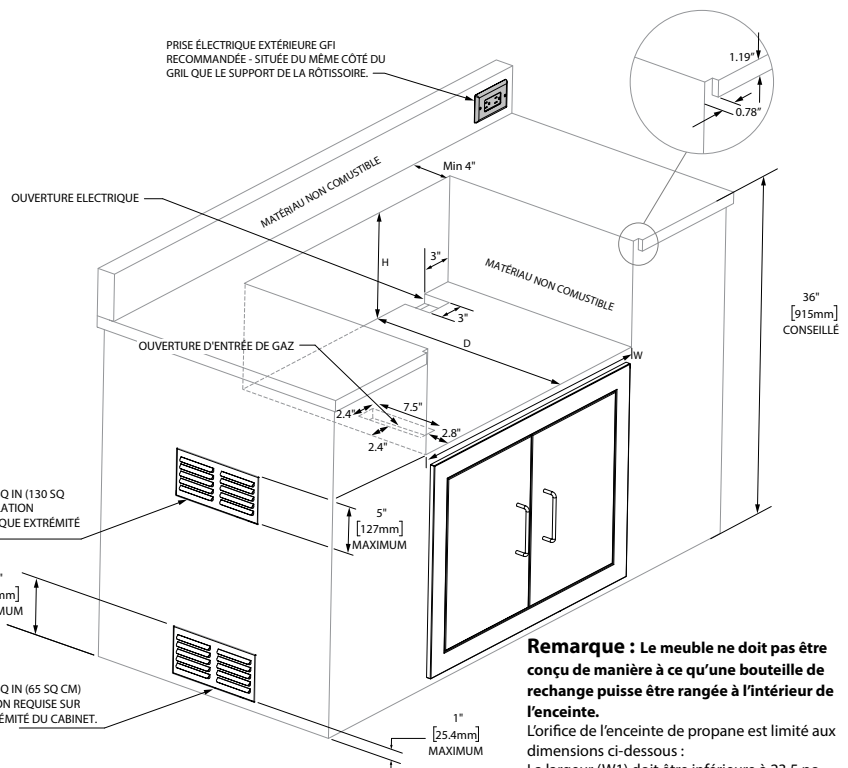
- L'orifice supérieur de l'évent doit être d'au moins 20 pouces carrés pour une bouteille de propane de 9,1 kg (20 lb).
- L'orifice inférieur de l'évent doit être d'au moins 10 pouces carrés pour une bouteille de propane de 9,1 kg (20 lb).



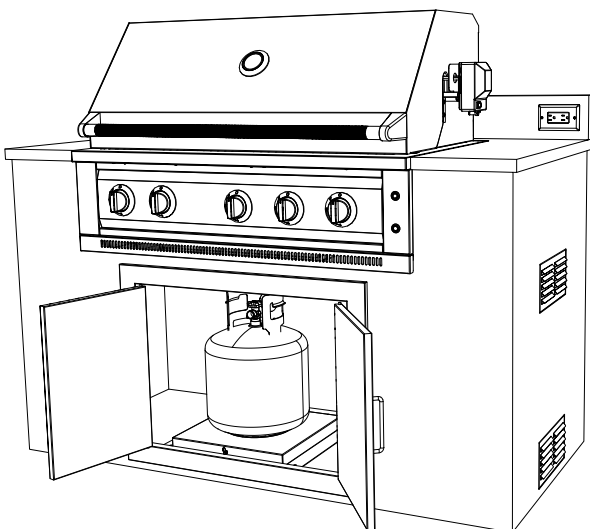
AVERTISSEMENT



Une bouteille de propane ne peut pas être rangée sous le gril à gaz. Un seul réservoir de 20 livres en service doit être utilisé avec le gril.



Remarque : Le meuble ne doit pas être conçu de manière à ce qu'une bouteille de recharge puisse être rangée à l'intérieur de l'enceinte.
L'orifice de l'enceinte de propane est limité aux dimensions ci-dessous :
La largeur (W1) doit être inférieure à 23,5 po.
La hauteur (H1) doit être inférieure à 18,5 po.



Le réservoir de propane doit être fixé au meuble encastré à l'intérieur de l'enceinte.

Remarque : Ces illustrations sont uniquement à titre de référence. Les meubles et l'installation réels peuvent différer.

Dimensions de la découpe

	UGS	L	P	H
Gril de 33 po	66900	31,5 po	22,3 po	11,2 po
	66910			
Gril de 36 po	66903	34,5	22,3 po	11,2 po
	66913			
Gril de 40 po	66901	38,5 po	22,3 po	11,2 po
	66911			
DSB	66902	15,3 po	22,4 po	11,3 po
	66912			

Installation d'un grill sur un meuble sur mesure

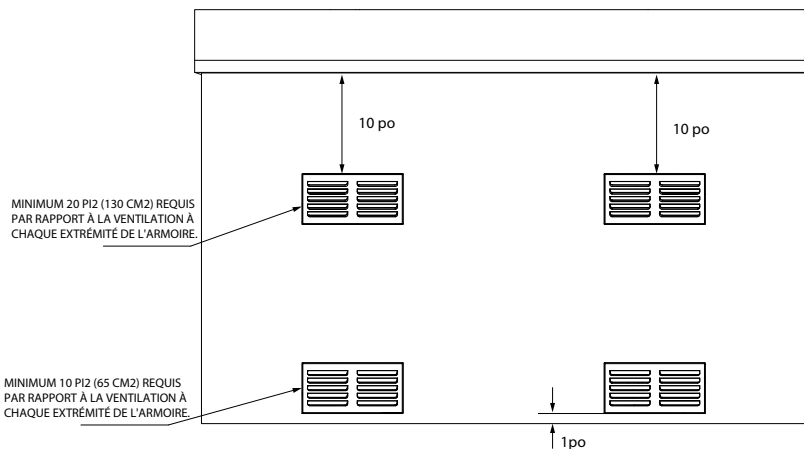
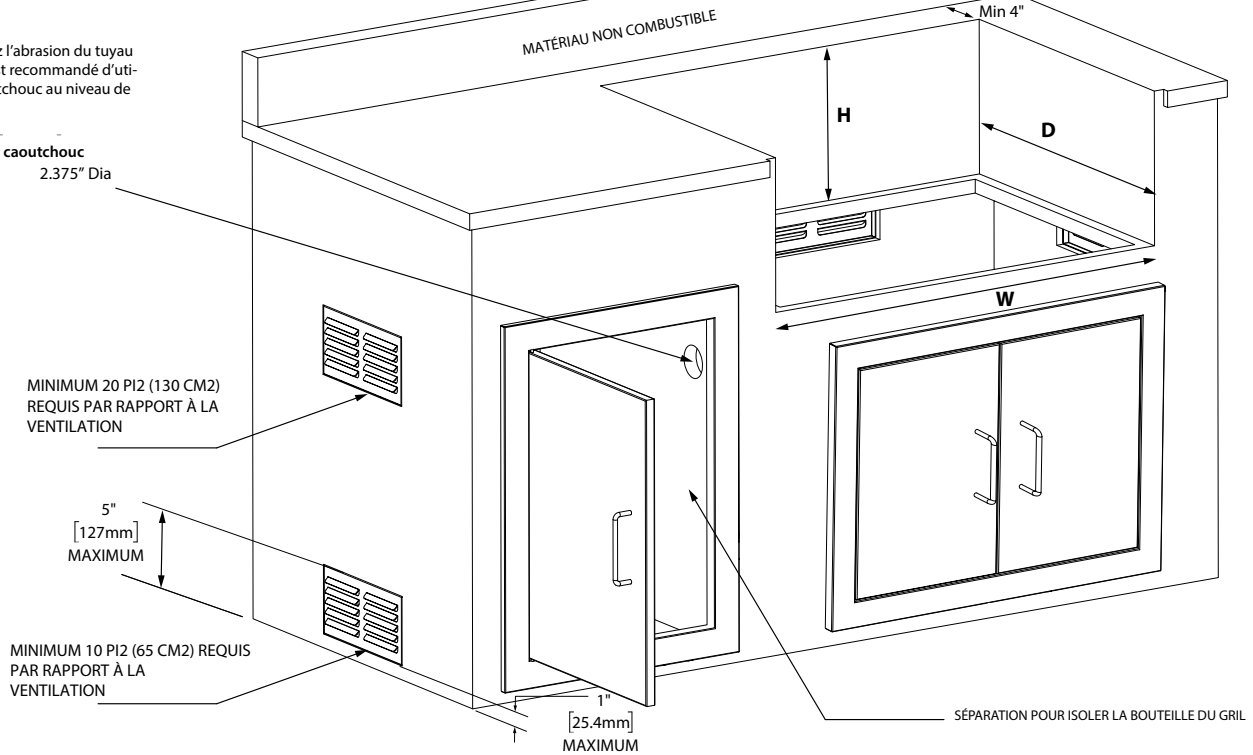
Aménagement d'une enceinte non combustible

⚠ AVERTISSEMENT

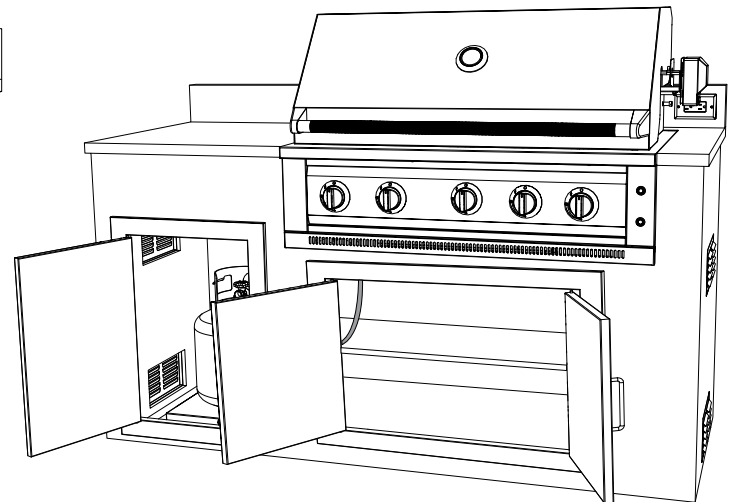
- L'ouverture de l'évent supérieur doit être d'au moins 20 pouces carrés.
- L'ouverture inférieure de l'évent doit être d'au moins 10 pouces carrés.

PRISE ÉLECTRIQUE DDFT D'EXTÉRIEUR RECOMMANDÉE - POSER DU MÊME CÔTÉ DU GRIL QUE LE SUPPORT DE RÔTISSERIE.

Remarque : Évitez l'abrasion du tuyau contre l'ouverture. Il est recommandé d'utiliser un œillet en caoutchouc au niveau de l'ouverture.



Vue de dos



Le réservoir de propane doit être fixé à l'armoire intégrée à l'intérieur de l'enceinte.

Remarque : Ces illustrations sont uniquement à titre de référence. Les meubles et l'installation réels peuvent différer.

Installation d'un grill sur un meuble sur mesure

Connexions des bouteilles de gaz propane

Assurez-vous que le robinet de la bouteille de gaz propane est complètement fermé. Il est possible d'ouvrir le robinet sans libérer de gaz, mais, dès que vous commencez à raccorder le régulateur, du gaz s'échappe de la connexion.

Insérez l'entrée du régulateur dans le robinet de la bouteille et tournez l'écrou noir du coupleur dans le sens des aiguilles d'une montre jusqu'à ce que l'écrou du coupleur soit serré à la main. Ne serrez pas ce raccord de façon excessive. Consultez les figures 1 et 2.

Pour déconnecter l'écrou du coupleur, assurez-vous d'abord que le robinet principal de la bouteille est fermé. Saisissez l'écrou du coupleur et tournez dans le sens inverse des aiguilles d'une montre. L'entrée se désengagera alors.

Testez toujours l'étanchéité du raccord après avoir rempli ou échangé des bouteilles de gaz propane.

Capuchon anti-poussière - Mettez le capuchon anti-poussière sur la sortie du robinet de la bouteille lorsque celle-ci n'est pas utilisée. N'installez sur la sortie du robinet de la bouteille que le type de capuchon anti-poussière qui est fourni avec le robinet de la bouteille. D'autres types de bouchons ou de capuchons peuvent entraîner des fuites de propane.)

La bouteille de propane doit comporter un collier pour protéger le robinet de la bouteille.

Pour un appareil de cuisson à gaz d'extérieur muni d'un raccordement autre que le n° 600 : :

« Coupez l'alimentation en GPL de la bouteille lorsque l'appareil n'est pas utilisé. »

Pour un appareil de cuisson à gaz d'extérieur muni d'un raccord n° 600 : « La bouteille d'alimentation en GPL doit être débranchée lorsque cet appareil n'est pas utilisé. »

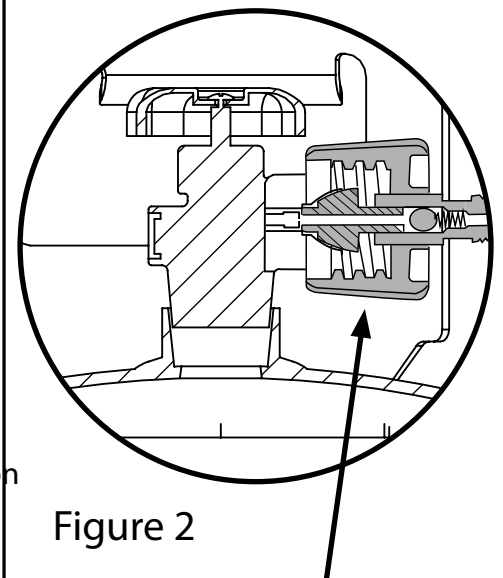
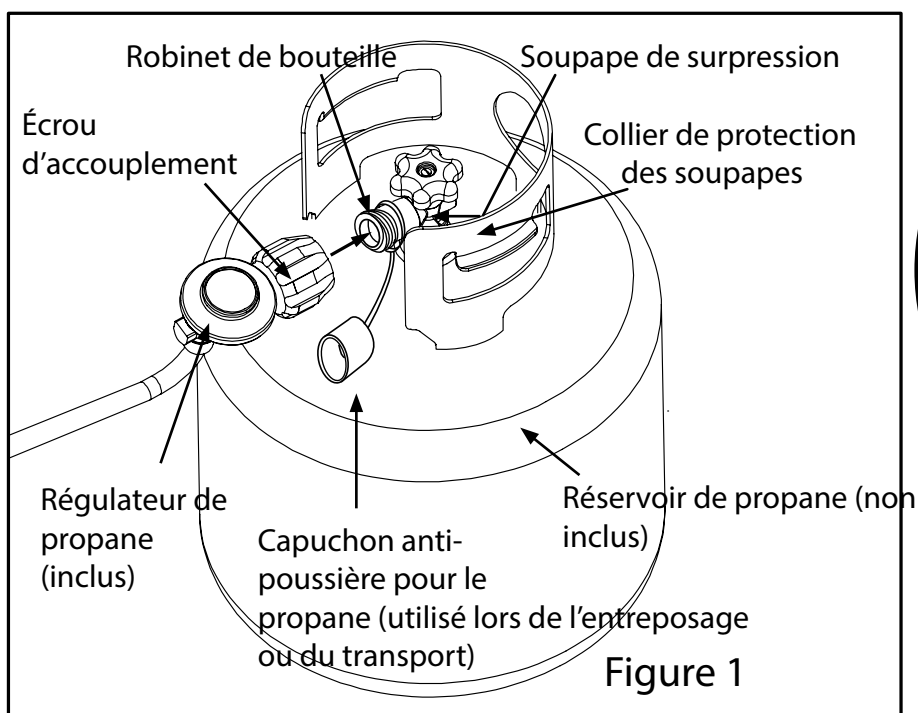


Figure 2

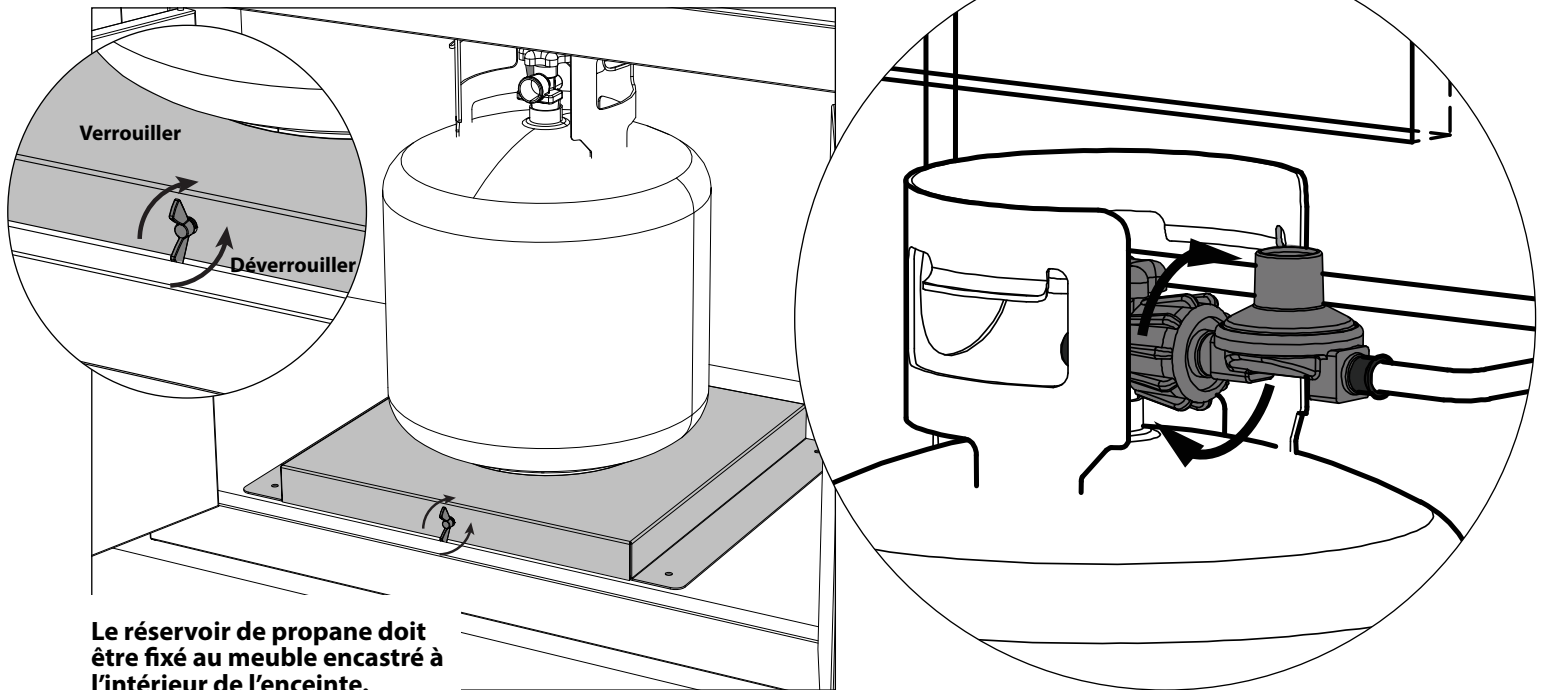
Serrez à la main pour assurer une bonne étanchéité et un débit de gaz correct.

Remarque : La longueur maximale du raccordement au gaz est de 1,82 m (6 pi).

Installation d'un gril sur un meuble sur mesure

⚠ AVERTISSEMENT

L'appareil, une fois installé, doit être mis à la terre conformément aux codes locaux ou, en l'absence de codes locaux, au Code national de l'électricité, ANS/NFPA 70, ou au Code canadien de l'électricité, CSA C22.1.



⚠ AVERTISSEMENT

- Ce gril est conçu pour les enceintes non combustibles uniquement et doit être installé et entretenu par un installateur licence conformément aux codes locaux.
- Comme indiqué sur la plaque signalétique, ce gril à gaz est conçu pour fonctionner avec des pressions d'alimentation de 11 po CE pour le propane.
- Cet appareil est certifié pour être utilisé avec un réservoir de propane de 20 lb.
- Si la pression d'alimentation en gaz est inférieure à ces exigences, l'appareil sera sous-alimenté et n'atteindra pas les températures maximales. Assurez-vous que la taille de la conduite d'alimentation est conforme aux codes d'installation locaux et/ou nationaux.
- Si vous souhaitez connecter l'appareil à un système de tuyauterie de carburant fixe et avez des questions sur l'installation, contactez «NEWAGE Product Inc», appelez l'équipe d'assistance clientèle > 1-877-306-8930 ; ou support@newageproducts.com
- La garantie du produit peut être annulée si l'installation s'écarte des instructions d'installation fournies dans ce manuel.

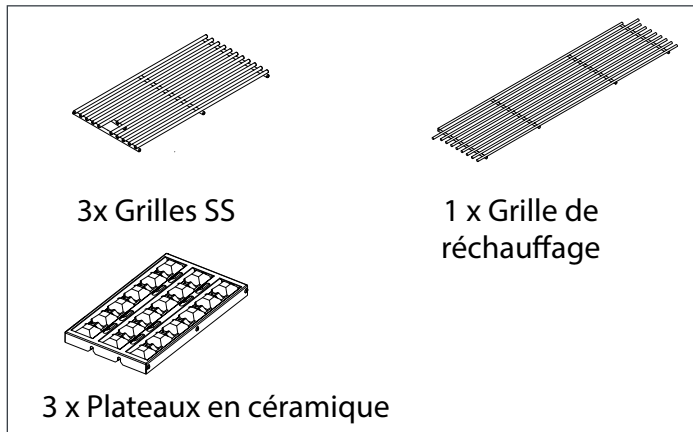
Installation d'un gril sur un meuble sur mesure

Spécifications des bouteilles de propane

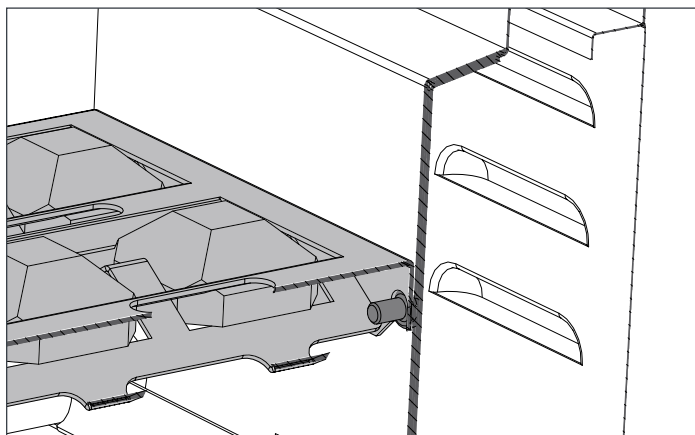
- Toute bouteille de GPL utilisée avec ce gril doit avoir un diamètre approprié de 12 pouces et une hauteur de 18 pouces. La capacité maximale de carburant est de 80 % et correspond à environ 20 livres de propane.
- La bouteille de GPL doit avoir un robinet de sectionnement se terminant par un Type 1 L.P.
- Une bouteille compatible de type 1 avec un robinet de bouteille de type 1 possède un clapet antiretour qui ne permet pas l'écoulement du gaz, jusqu'à ce qu'une étanchéité positive ait été obtenue.
- La bouteille doit être disposée de manière à permettre le retrait de la vapeur. Elle doit également comporter un collier pour protéger le robinet de la bouteille. Il faut prévoir un dispositif de décharge de sécurité ayant une communication directe avec l'espace vapeur de la bouteille. Cela permet d'expulser le gaz à haute pression si la bouteille est trop remplie ou surchauffée, ce qui pourrait provoquer un incendie ou une explosion.
- Lire les étiquettes sur le GPL. Bouteille d'alimentation en gaz.
- Les nouvelles bouteilles sont toujours expédiées vides pour des raisons de sécurité.
- N'autorisez que les revendeurs de GPL qualifiés à remplir ou à réparer votre bouteille de GPL.
- Informez le revendeur de gaz s'il s'agit d'une bouteille neuve ou d'occasion à remplir.
- Après le remplissage, demandez au distributeur de gaz de vérifier s'il y a des fuites et si la soupape de pression reste efficace et en bon état.

Assemblage du gril

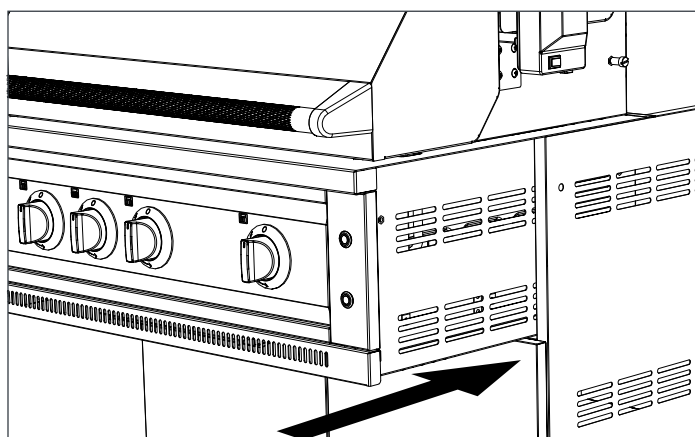
i Outils et pièces nécessaires.



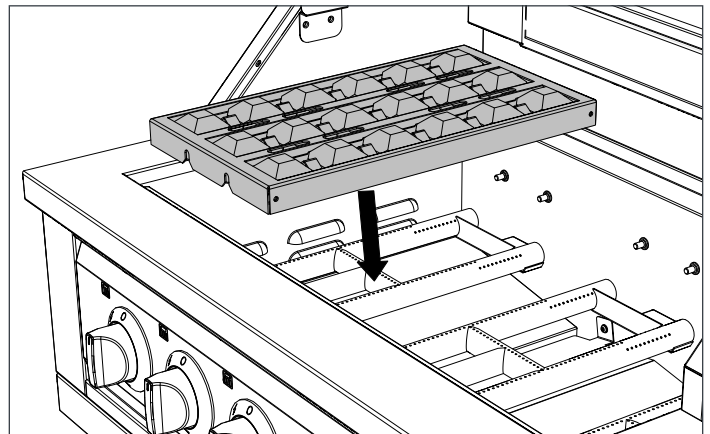
2 Assurez-vous que le plateau en céramique repose correctement sur les goujons, comme indiqué ci-dessous.



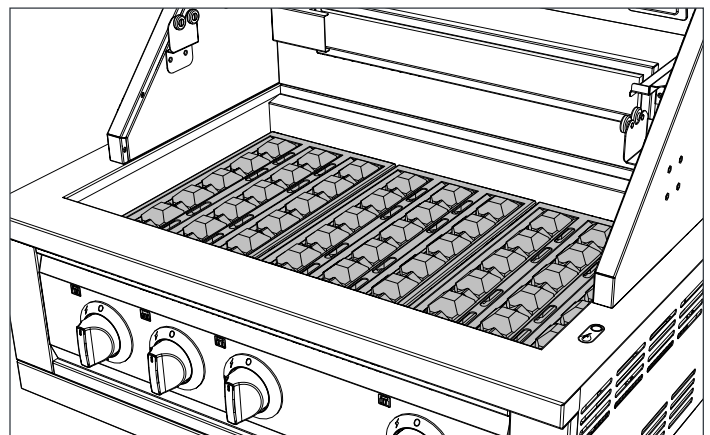
4 Installez les trois grilles de cuisson sur le dessus de chaque plateau en céramique comme indiqué ci-dessous.



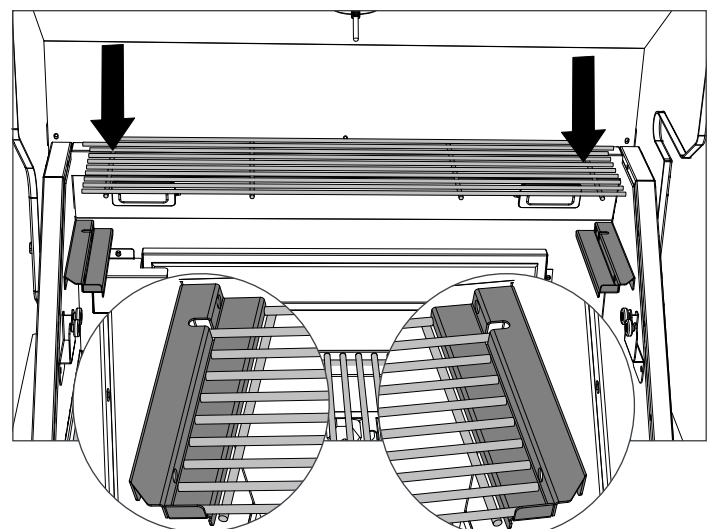
1 Installez le plateau en céramique sur le haut du brûleur.



3 De la façon similaire, installez les autres plateaux en céramique.

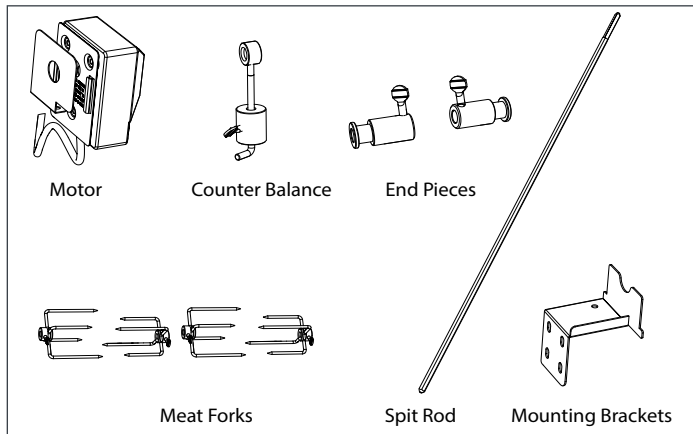


5 Installez la grille de réchauffage en veillant à ce que la tige de grille la plus longue soit insérée dans les fentes des étagères de support.

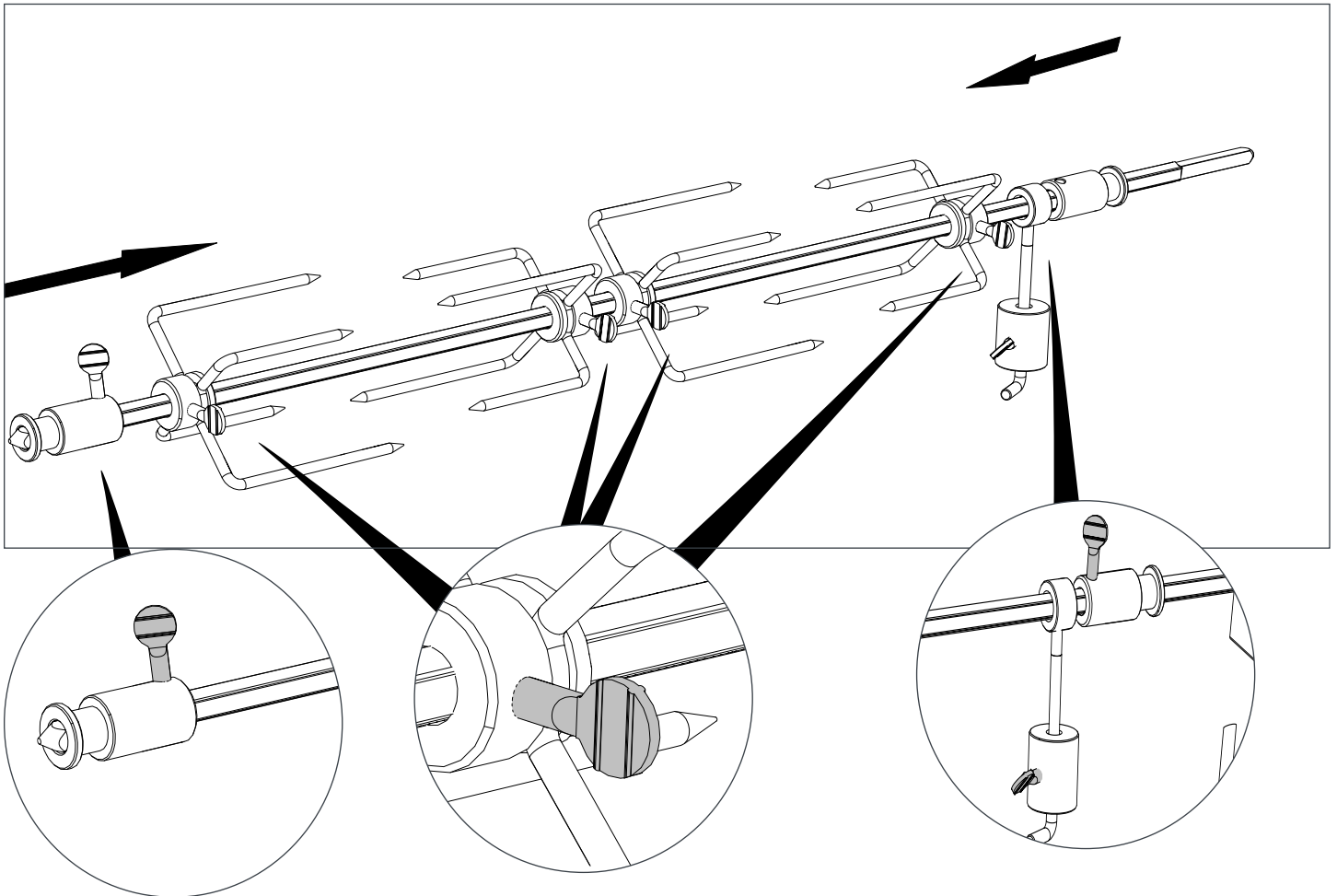


Assemblage et installation de la trousse de rôtisserie

i Outils et pièces nécessaires.

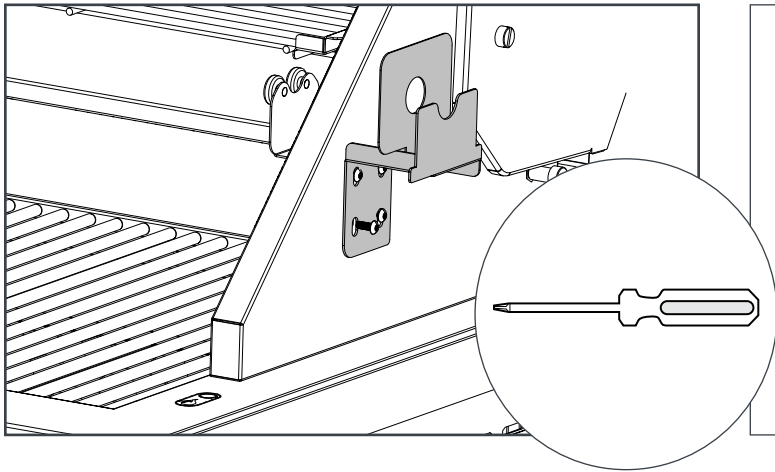


1 Assemblez les fourchettes sur la broche, ajoutez le contre poids et sécurisez l'ensemble en installant les embouts aux deux extrémités comme indiqué ci-dessous. Serrez les goujons pour verrouiller la position de chaque composant.

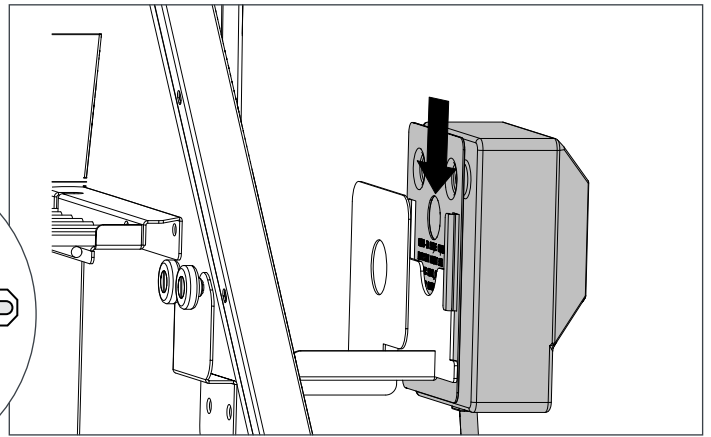


Assemblage et installation de la trousse de rôtisserie

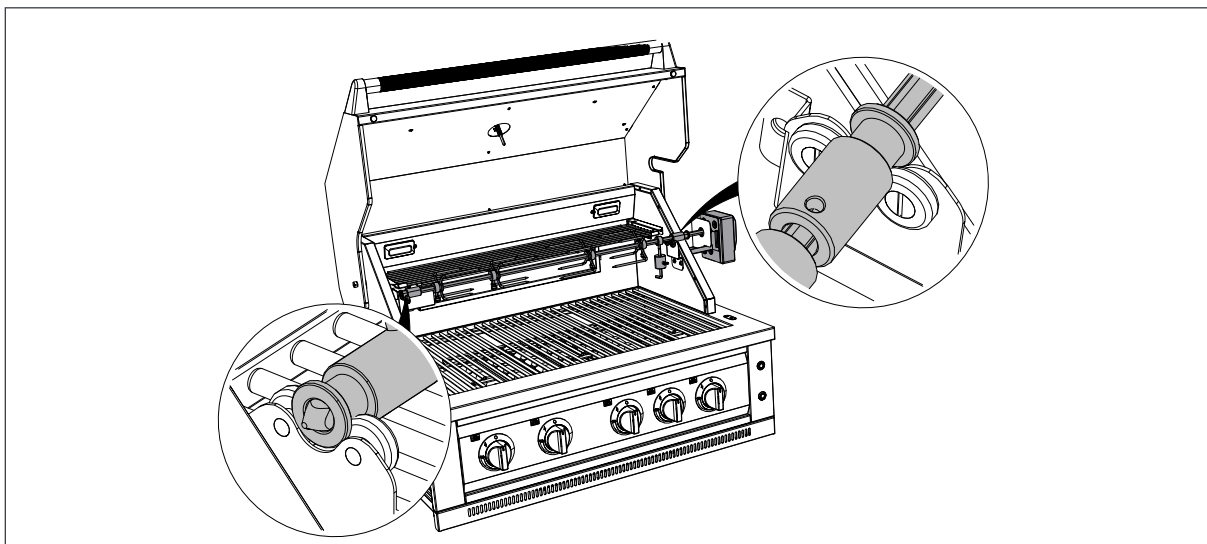
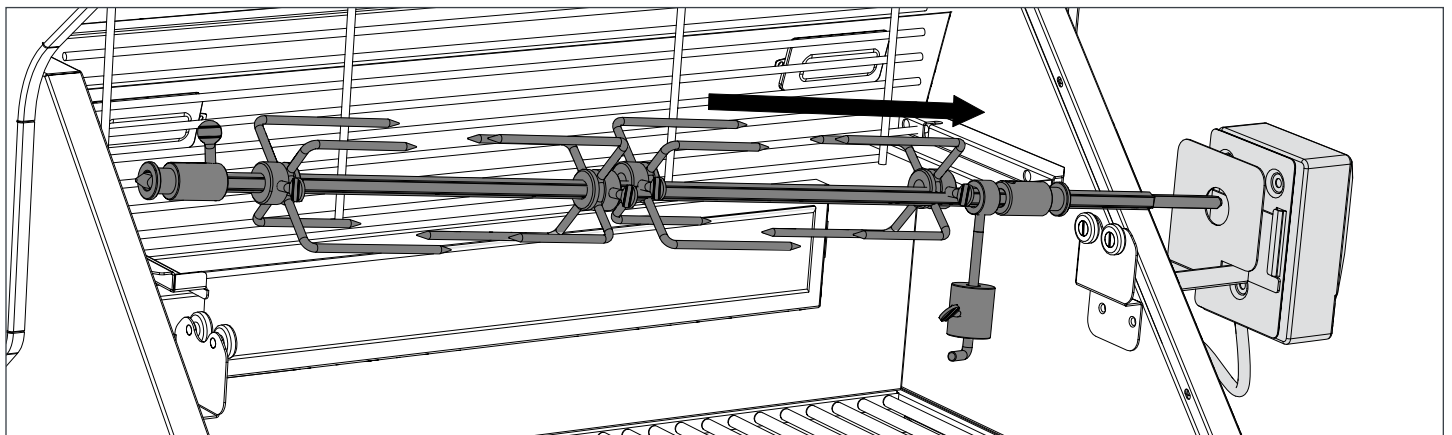
2 Fixez le support de montage du moteur au grill à l'aide de quatre vis M5.



3 Faites glisser le moteur de la rôtissoire sur le support de montage.



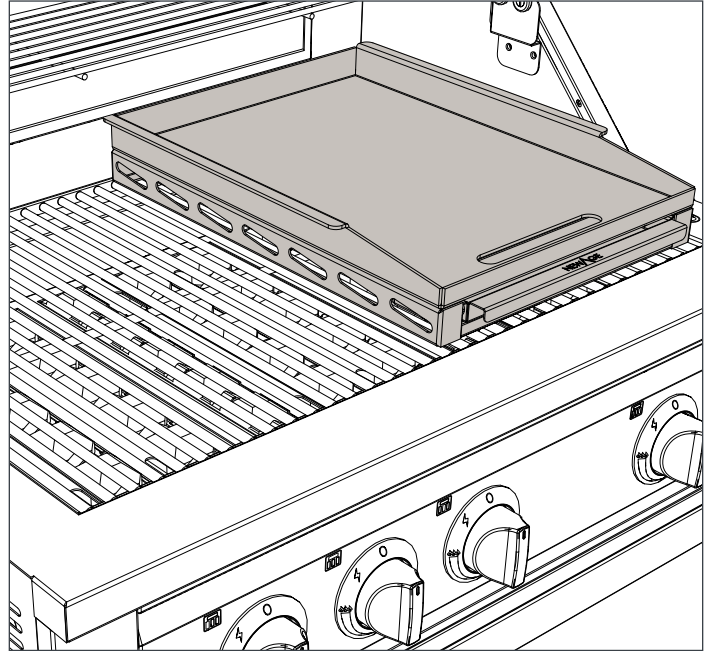
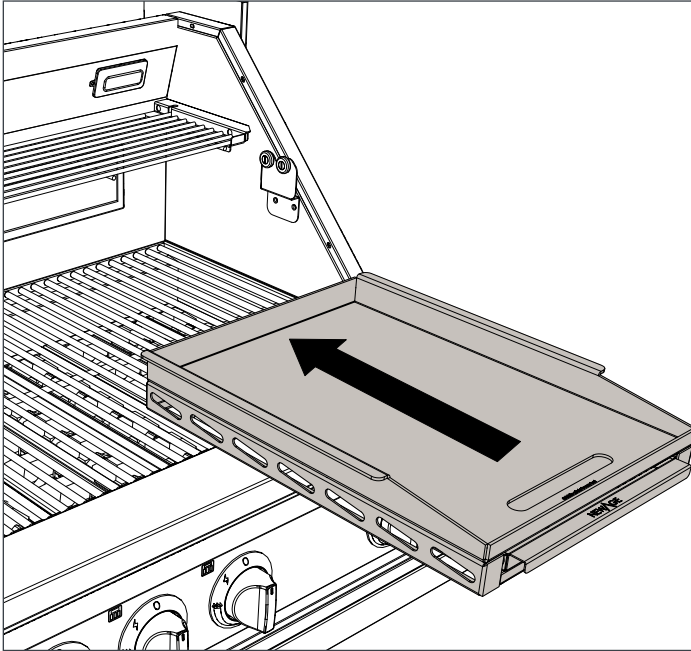
4 Fixez l'ensemble de rôtisserie au moteur et mettez-le en position en déposant les extrémités sur les supports comme indiqué ci-dessous.



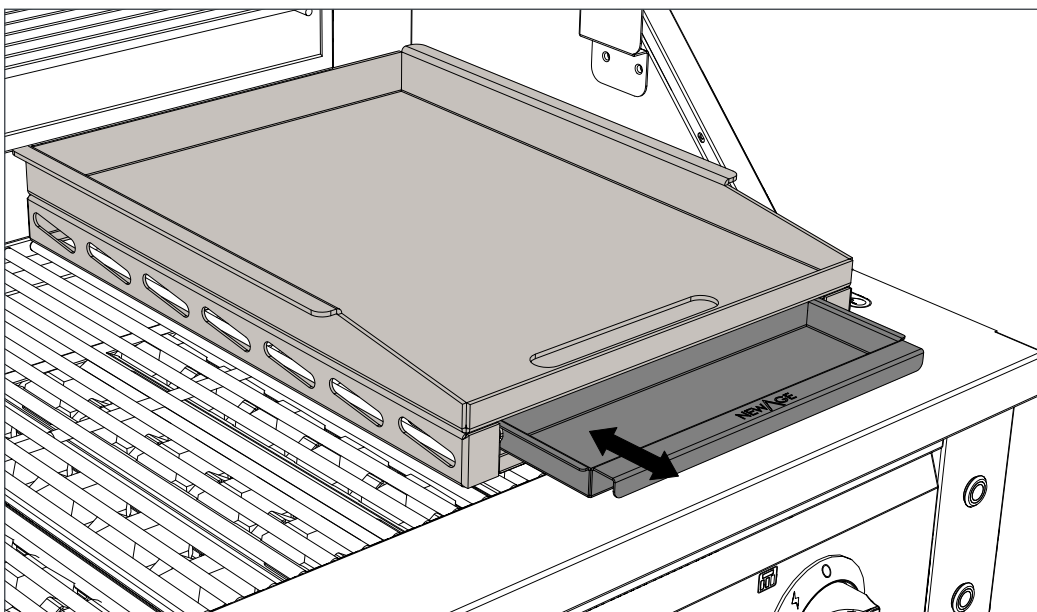
Accessoires optionnels

Installation de la plancha

1 Placez la plancha sur le dessus des grilles de cuisson comme indiqué ci-dessous.



i Le bac à graisse peut être glissé à l'intérieur ou à l'extérieur de la plancha pour enlever la graisse collectée.



⚠ AVERTISSEMENT

- Pendant l'utilisation, la plancha devient extrêmement chaude et doit être manipulée avec précaution. Veillez à laisser la plancha refroidir pendant au moins 30 minutes avant de retirer le bac à graisse pour le nettoyer.
- Ne fermez pas le couvercle lors de la cuisson sur la plancha.
- Ne remplissez pas trop le bac à graisse et nettoyez-le après chaque utilisation.

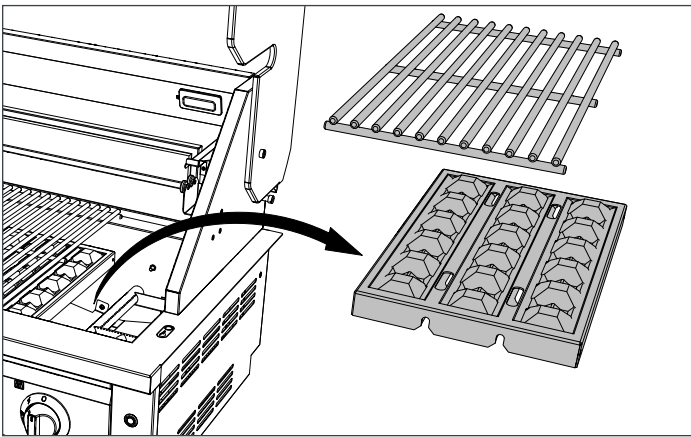
Accessoires optionnels

Installation du plateau à charbon

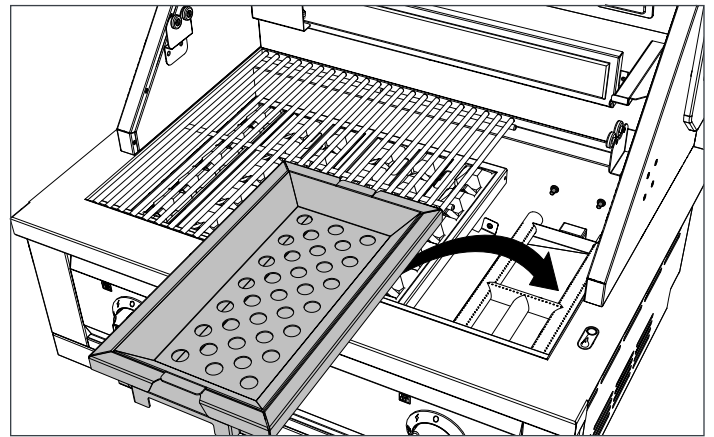
REMARQUE

- N'utilisez pas plus d'un plateau à charbon sur le gril pendant la cuisson.
- Ne retirez que le plateau en céramique du brûleur correspondant où vous avez choisi d'installer le plateau à charbon.
- N'utilisez que des briquettes de charbon. N'utilisez pas de palettes en bois, de papier ou de charbon.
- N'utilisez pas de plateau à charbon sans charbon.
- Ne mettez pas plus de 0,7 kg (1,5 lb) de charbon dans le plateau à charbon.
- Ne fermez pas le couvercle lorsque vous cuisinez sur le plateau à charbon.

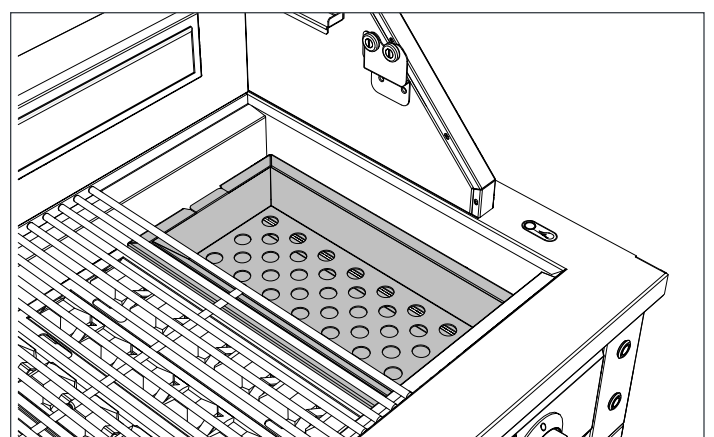
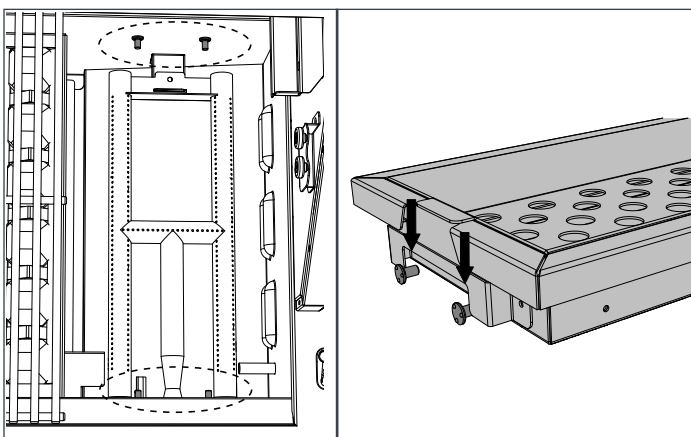
- 1** Retirez la grille de cuisson et le plateau en céramique de la section choisie.



- 2** Installez le plateau à charbon à la place du plateau en céramique.



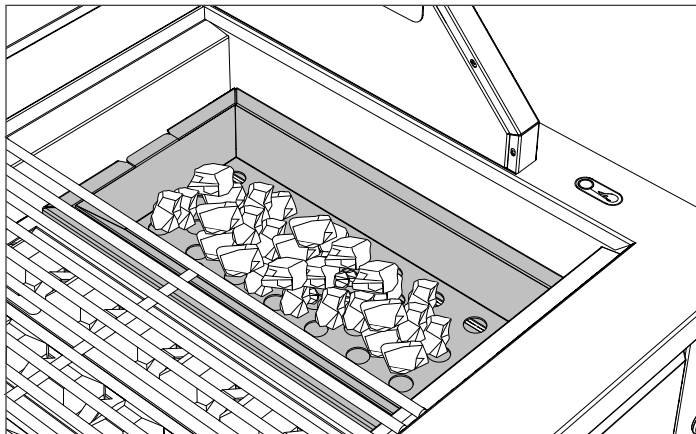
- 3** Assurez-vous que le plateau à charbon repose sur les broches du panneau arrière du gril.



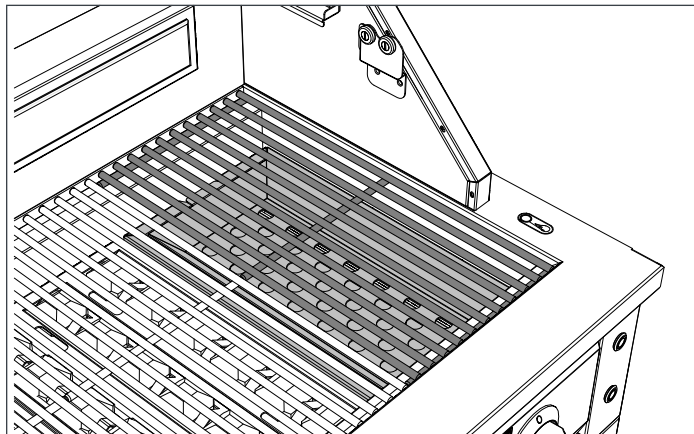
Accessoires optionnels

Installation du plateau à charbon

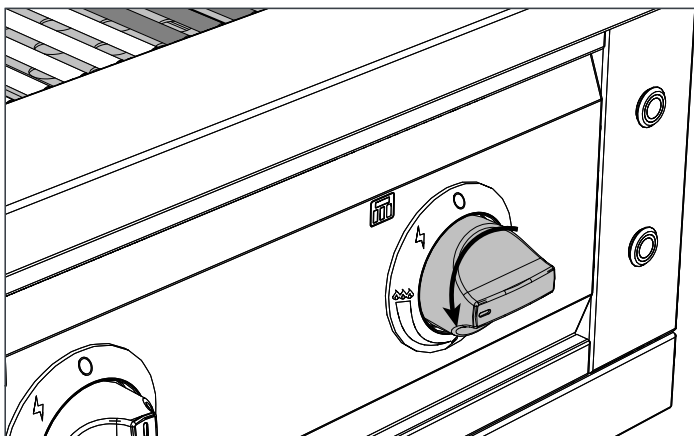
- 4** Ajoutez du charbon dans le plateau à charbon.



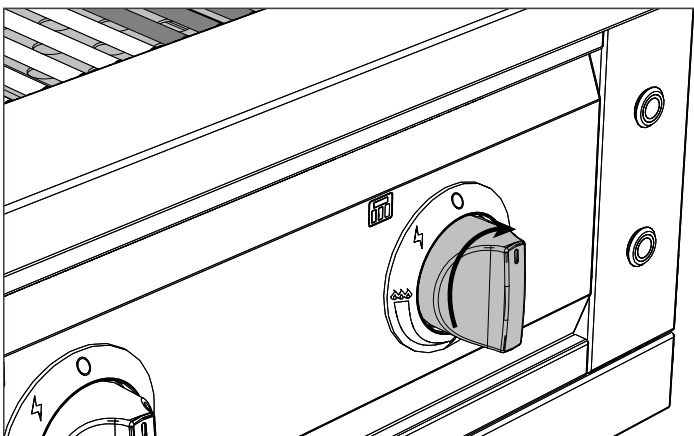
- 5** Installez la grille de cuisson sur le dessus.



- 6** Allumez le brûleur en dessous du plateau à charbon et placez-le à la position HI.



- 7** Une fois que le charbon est allumé, éteignez le brûleur.



Accessoires optionnels

Installation de la boîte de fumaison

REMARQUE

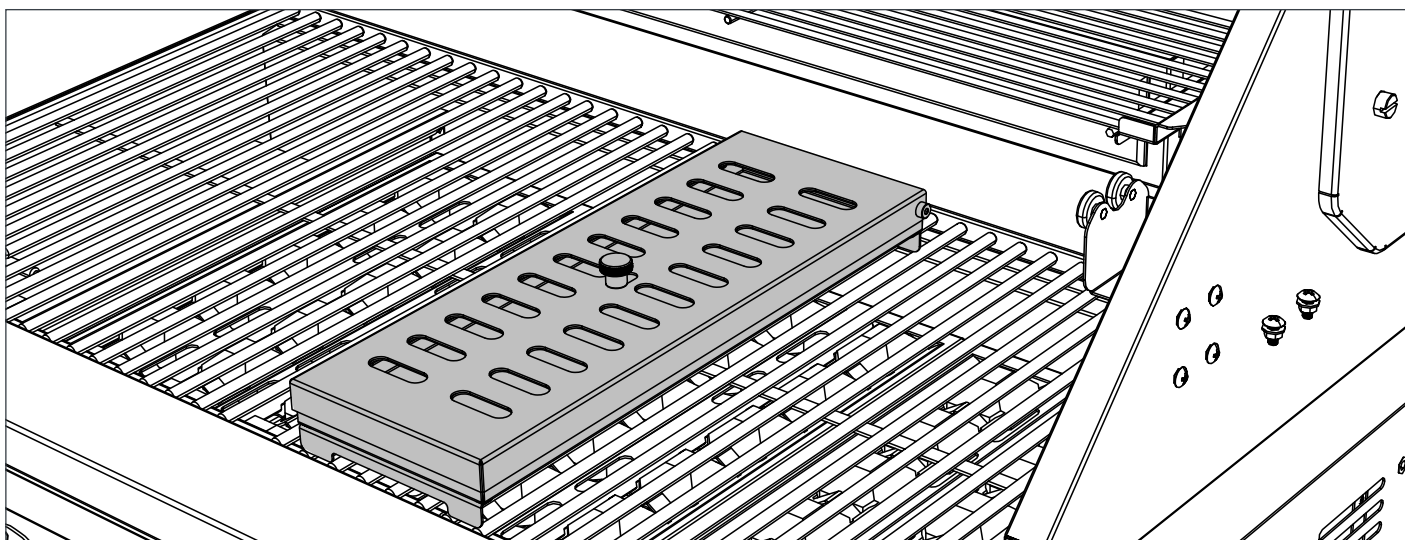
- Ne mettez pas plus de 0,2 kg (0,4 lb) de copeaux de bois dans la boîte de fumaison pour fumer.
- Ne versez pas plus d'un demi-litre de liquide pour humidifier la viande.
- Ne placez pas la boîte de fumaison sur le brûleur de saisie.
- Pour un bon rendement de la fumée, faites tremper les copeaux de bois pendant au moins 30 minutes, égouttez l'excès de liquide et remplissez complètement le plateau de la boîte.
- Pour améliorer les performances de la fumée, gardez le couvercle fermé autant que possible pendant que les aliments sont grillés.

⚠ AVERTISSEMENT

S'ils ne sont pas bien trempés, les copeaux de bois s'enflamment pendant la cuisson. Pour éteindre les flammes, fermez les robinets, ouvrez le couvercle et laissez le feu s'éteindre.

- **Aulne** : Saveur moyenne, fumée acidulée. Excellent sur le poisson, le poulet ou le gibier.
- **Érable** : Saveur de fumée prononcée et sucrée. À utiliser de préférence avec du poisson, de la viande séchée ou du bacon.
- **Pommier** : Saveur légère et sucrée de fumée. Superbe avec de la volaille, du jambon ou de la saucisse.
- **Hickory** : Forte saveur de fumée. À utiliser de préférence avec du bœuf, du porc ou du gibier.
- **Prosopis** : Saveur de fumée légère. Excellent sur le poisson, la volaille ou le bœuf.
- **Chêne** : Forte saveur de fumée. À utiliser de préférence avec du bœuf, de l'agneau ou du porc.
- **Pacanier** : Saveur riche, sucrée, polyvalente. Bon pour les grillades.
- **Vigne** : Fort goût fumé. À utiliser de préférence avec du bœuf ou de la volaille.

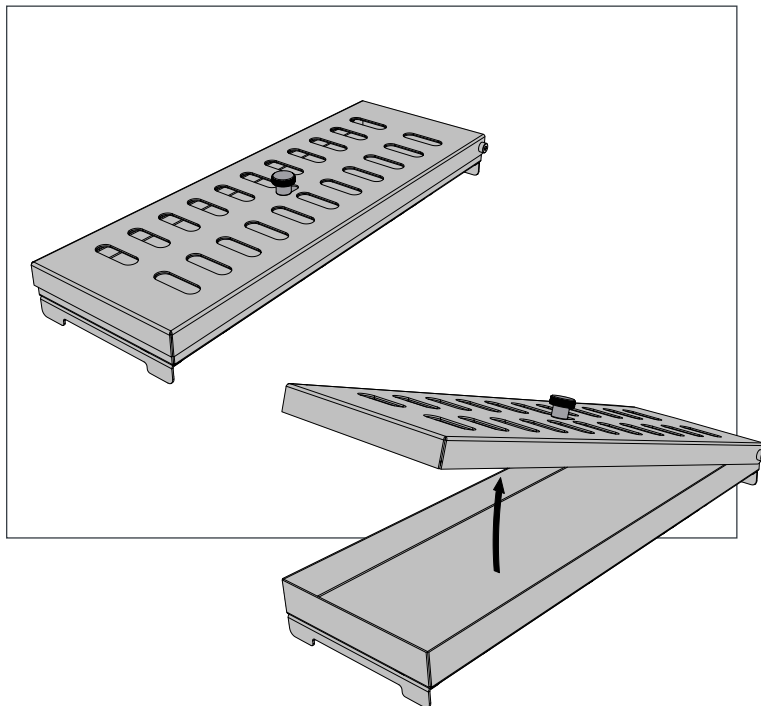
- 1 Placez la boîte à fumaison sur les grilles du gril à l'endroit désiré.



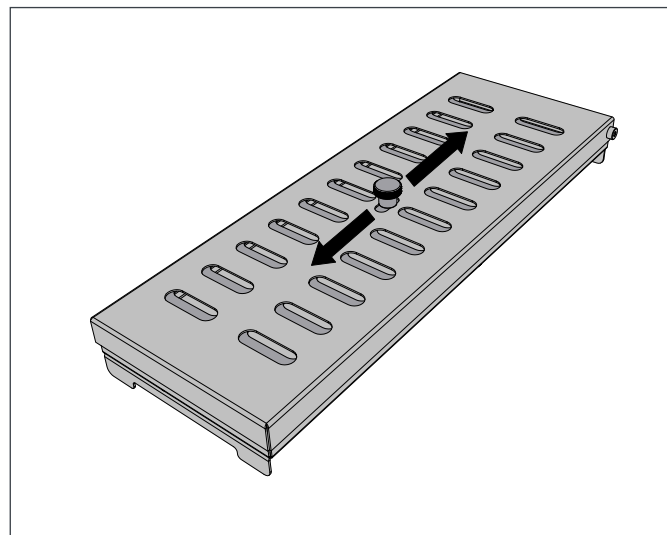
Accessoires optionnels

Installation de la boîte de fumaison

i Ouvrez le fumoir pour ajouter des copeaux de bois ou une boisson quelconque.



i Il est possible de régler les événements pour la fumée en faisant glisser le bouton pour contrôler l'intensité de la fumée.



Instructions pour l'installateur (monteur d'installation au gaz)

Purge de la conduite de gaz

Vous devez purger la conduite de gaz de son air avant de tenter d'allumer le gril.

- Assurez-vous que toutes les commandes du gril se trouvent dans la position « OFF ».
- Allumez lentement l'alimentation principale en gaz.
- Ouvrez le couvercle pendant toute la procédure de purge.
- Enfoncez les boutons de commande (ne les tournez pas) du brûleur de rôtisserie et du brûleur le plus à droite pendant environ 20 secondes pour permettre à l'air du système de se purger. Ces derniers sont les plus éloignés de la source de carburant et purgeront complètement les conduites. Relâchez les boutons de commande. Attendez au moins 5 minutes après avoir relâché la commande avant de tenter d'allumer les brûleurs.

Instructions pour le branchement du gaz

RACCORDEMENT AU GAZ PROPANE INTÉGRÉ : La tuyauterie jusqu'au gril à gaz est la responsabilité de l'installateur et la tuyauterie doit être située comme indiqué dans les instructions d'installation. N'utilisez pas de tuyau flexible pour raccorder l'appareil, sauf pour connecter le régulateur de la bouteille au système de tuyauterie. Il doit être raccordé à un tuyau rigide, un tube de cuivre ou un connecteur métallique flexible approuvé conforme à la norme ANSI Z21.24/CSA 6.10 ou ANSI Z21.75/CSA 6.27.

L'installation doit être conforme à la norme CAN B149.1 Natural Gas and Propane installation code au Canada ou au National Fuel Gas code, ANSI Z223.1 aux États-Unis. Le tuyau d'alimentation en gaz doit être suffisamment dimensionné pour fournir les BTU/h indiqués sur la plaque signalétique en fonction de la longueur de la tuyauterie. Si vous installez un brûleur latéral, une conduite séparée doit être bifurquée vers le brûleur latéral et entrer dans l'ouverture du brûleur latéral à l'endroit indiqué. Si l'enceinte doit abriter une bouteille de propane, la partie réservoir de l'enceinte doit être ventilée conformément aux codes locaux et ne doit pas communiquer avec la cavité utilisée pour accueillir le gril à gaz. Une bouteille de propane ne peut pas être stockée sous le gril à gaz.

ENCEINTES POUR BOUTEILLE INTÉGRÉES : Les enceintes pour bouteille intégrées qui renferment complètement la bouteille doivent présenter les deux caractéristiques suivantes :

1. Au moins une ouverture de ventilation non obstruée sur le côté extérieur exposé de l'enceinte, située à moins de 127 mm (5 po) du haut de l'enceinte. L'ouverture doit avoir une surface libre totale de plus de 130 cm² (20 po²) pour une bouteille de 9,1 kg (20 lb).
2. Au moins une ouverture de ventilation sur le côté extérieur exposé de l'enceinte, située à 25,4 mm (1 po) ou moins du niveau du sol. L'ouverture doit avoir une surface libre totale de plus de 130 cm² (130 cm²) pour une bouteille de 9,1 kg (20 lb). Le bord supérieur ne doit pas se trouver à plus de 127 mm (5 po) au-dessus du sol.

Chaque ouverture doit être suffisamment grande pour permettre l'entrée d'une tige de 3,2 mm (1/8 po).

Instructions pour l'installateur (monteur d'installation au gaz)

- Le(s) robinet(s) de la bouteille doit (doivent) être facilement accessible(s) pour une utilisation manuelle. Une porte sur l'enceinte permettant d'accéder aux robinets des cylindres est acceptable, à condition qu'elle ne soit pas verrouillée et qu'elle puisse être ouverte sans l'aide d'outils.
- L'enceinte de la bouteille de propane doit isoler la bouteille du compartiment du brûleur pour assurer un blindage contre les radiations, une barrière contre les flammes et une protection contre les matières étrangères, telles que les égouttures chaudes.
- Il doit y avoir un dégagement minimum de 51 mm (2 po) entre le sol de l'enceinte de gaz propane et le sol.
- L'enceinte doit être conçue de manière à ce que la bouteille de gaz propane puisse être connectée, déconnectée et que les connexions puissent être inspectées et testées à l'extérieur de l'enceinte de la bouteille. Toute connexion qui peut être perturbée lors de l'installation de la bouteille dans l'enceinte doit être accessible pour les essais à l'intérieur de l'enceinte.
- Un seul réservoir de 20 livres en service doit être utilisé avec le gril.

Installation de propane

Spécifications des bouteilles de propane

Si l'appareil à gaz est alimenté en propane à partir d'une bouteille portable, un régulateur spécifié par le fabricant doit être utilisé. Le régulateur doit fournir une pression de 11 pouces de colonne d'eau (0,39 lb/po²) au gril à gaz et avoir un raccord de type QCC1. Les bouteilles à utiliser avec cet appareil doivent être fournies avec un robinet de bouteille QCC1. Une bouteille QCC1 a un raccord à siège positif qui ne permettra pas l'écoulement du gaz tant qu'un joint positif n'aura pas été obtenu. Elle est également équipée d'un dispositif de débit excédentaire. Afin d'atteindre un débit maximal vers le gril, les robinets doivent être en position fermée lorsque le robinet de la bouteille est ouvert.

Une bouteille bosselée ou rouillée peut être dangereuse et doit être vérifiée par votre fournisseur de propane. N'utilisez jamais une bouteille dont le robinet est endommagé. Utilisez uniquement une bouteille de propane fabriquée et marquée conformément aux spécifications pour les bouteilles de gaz propane de la Norme nationale du Canada, CAN/CSA-b339, bouteilles, sphères et tubes pour le transport des marchandises dangereuses ; et de la Commission, selon le cas, ou aux spécifications pour les bouteilles de gaz propane du Département américain des transports (D.O.T.).

La bouteille de propane doit être munie d'un dispositif de raccordement de la bouteille compatible avec le raccordement des appareils de cuisson extérieurs. La bouteille de propane doit être munie d'un robinet de sectionnement se terminant par un robinet de bouteille de propane de type QCC1, et d'un dispositif de décharge de sécurité ayant une communication directe avec l'espace vapeur de la bouteille. Le système d'alimentation de la bouteille doit être conçu pour le retrait des vapeurs et la bouteille doit comporter un collier pour protéger le robinet de la bouteille. La bouteille doit comporter un OPD (dispositif de protection contre le remplissage excessif) homologué. Ne rangez pas de bouteille de gaz propane de rechange sous ou à proximité de cet appareil. Ne remplissez jamais la bouteille au-delà de 80 % de sa capacité. **Si les informations précédentes ne sont pas suivies à la lettre, un incendie causant la mort ou des blessures graves peut se produire.**

AVERTISSEMENT

Ne changez pas l'ensemble de régulateur/tuyau ou n'utilisez pas d'autre ensemble que celui fourni avec votre brûleur d'appoint NewAge.

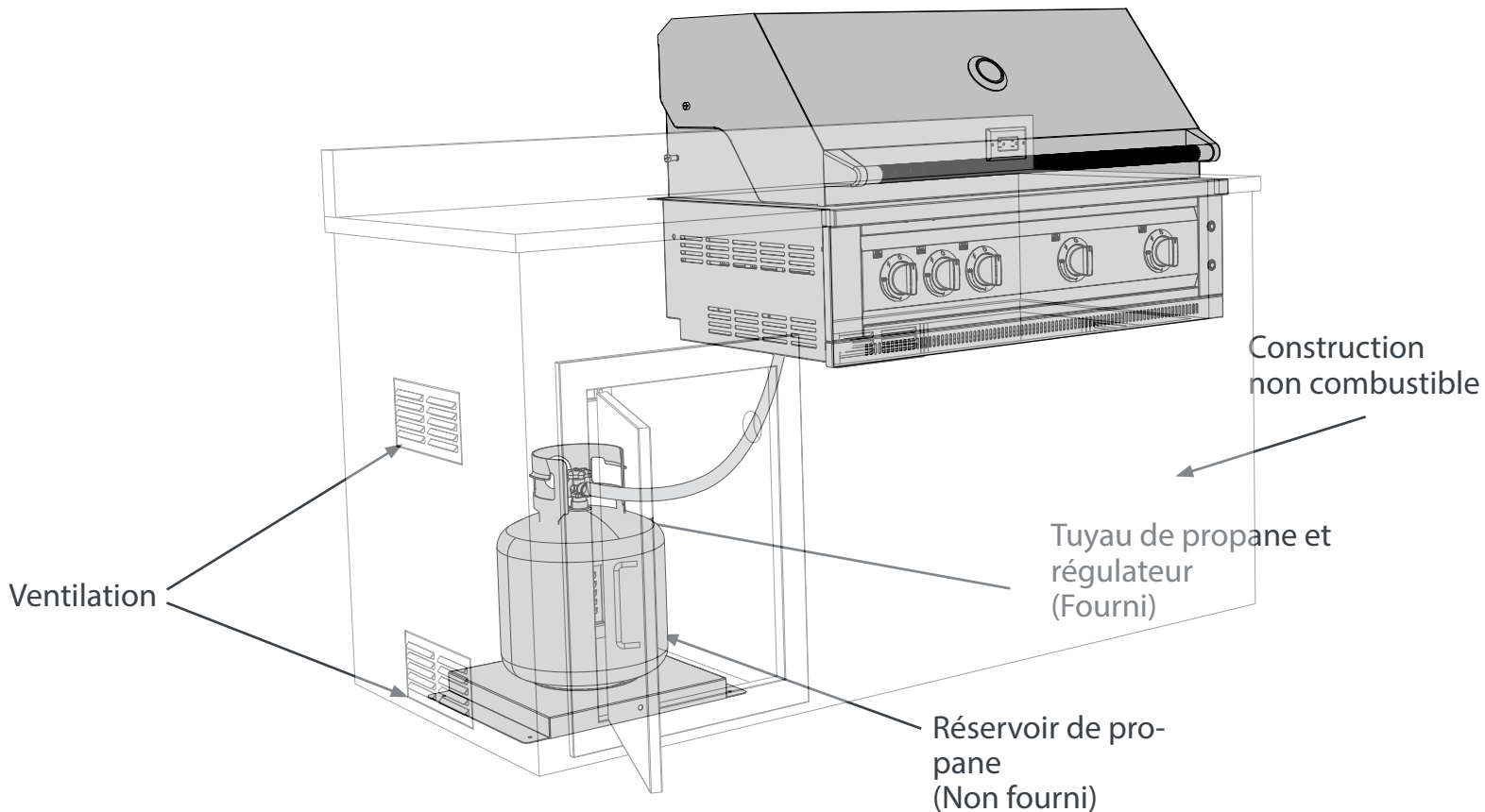
N'essayez pas d'utiliser un ensemble de régulateur/tuyau équipé de 5LP-A avec un ensemble de bouteille/robinet standard 510 POL.

Ne rangez pas de bouteille de gaz propane de rechange sous ou à proximité de cet appareil.

Ne remplissez jamais la bouteille au-delà de 80 % de sa capacité.

Si les informations ci-dessus ne sont pas suivies à la lettre, un incendie causant la mort ou des blessures graves peut se produire.

Installation de propane



Connexions des bouteilles de gaz propane

Assurez-vous que le robinet de la bouteille de gaz propane est complètement fermé. Il est possible d'ouvrir le robinet sans libérer de gaz, mais, dès que vous commencez à raccorder le régulateur, du gaz s'échappe de la connexion.

Insérez l'entrée du régulateur dans le robinet de la bouteille et tournez l'écrou noir du coupleur dans le sens des aiguilles d'une montre jusqu'à ce que l'écrou du coupleur soit serré à la main. Ne serrez pas ce raccord de façon excessive. Consultez les figures 1 et 2.

Pour déconnecter l'écrou du coupleur, assurez-vous d'abord que le robinet principal de la bouteille est fermé. Saisissez l'écrou du coupleur et tournez dans le sens inverse des aiguilles d'une montre. L'entrée se désengagera alors.

Testez toujours l'étanchéité du raccord après avoir rempli ou échangé des bouteilles de gaz propane. (Consultez le test de fuite.)

Installation de propane

Connexions des bouteilles de gaz propane

Capuchon anti-poussière - Mettre un bouchon antipoussière sur la sortie du robinet d'une bouteille qui n'est pas utilisée. Utiliser uniquement le type de bouchon antipoussière fourni avec le robinet de la bouteille. D'autres types de bouchons pourraient ne pas être étanches et permettre des fuites de propane.

La bouteille de propane doit comporter un collier pour protéger le robinet de la bouteille

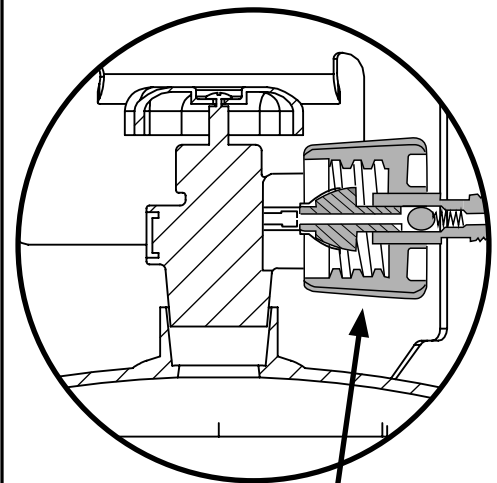
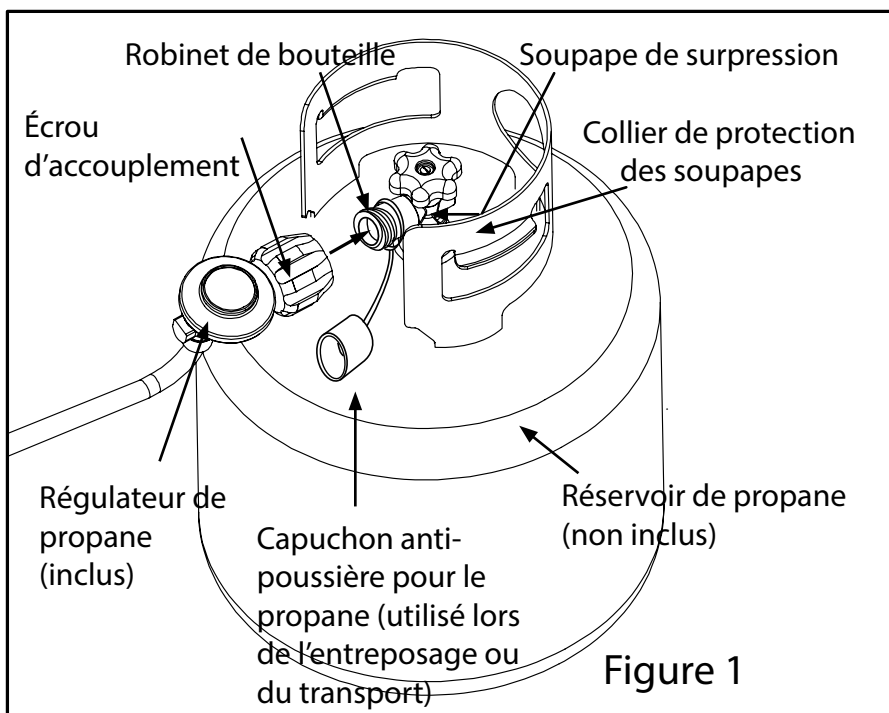


Figure 2

Serrez à la main pour assurer une bonne étanchéité et un débit de gaz correct.

Installation de propane

Exigences pour les bouteilles de gaz propane

La bouteille de gaz propane doit être fabriquée et marquée conformément aux spécifications du ministère américain des transports (DOT) relatives aux bouteilles de gaz propane et conçue pour être utilisée avec un système de type 1 uniquement.

Les bouteilles des brûleurs d'appoint autonomes doivent être fixées à l'aide du système de retenue des bouteilles fourni afin d'éviter tout mouvement accidentel.

Lorsque vous échangez votre bouteille contre une recharge, ne l'échangez que contre une bouteille de type 1 -20 lb avec un dispositif de protection contre le remplissage excessif.

N'utilisez jamais une bouteille dont le robinet est endommagé.

Une bouteille de gaz propane bosselée ou rouillée peut être dangereuse et doit être évitée. En cas de doute, faites-la vérifier par votre fournisseur de gaz propane.

Vérifiez toujours les fuites après chaque changement de bouteille de gaz propane.

Coupez toujours l'alimentation en gaz propane au niveau de la bouteille lorsque le gril n'est pas utilisé.

Les bouteilles doivent être stockées à l'extérieur, dans un endroit bien ventilé, hors de portée des enfants. Si votre gril est entreposé à l'intérieur, la bouteille de gaz propane doit être détachée du gril et entreposée à l'extérieur.

La mise en place du brûleur d'appoint pour le gaz propane est équipée d'un ensemble de tuyau de gaz propane/régulateur pour le raccordement à une bouteille de gaz propane standard de 20 livres. (Type 1). Tous les raccords nécessaires pour fixer l'ensemble au gril sont inclus.

Ne connectez jamais une conduite de gaz non régulée au gril.

Installation de propane

! AVERTISSEMENT

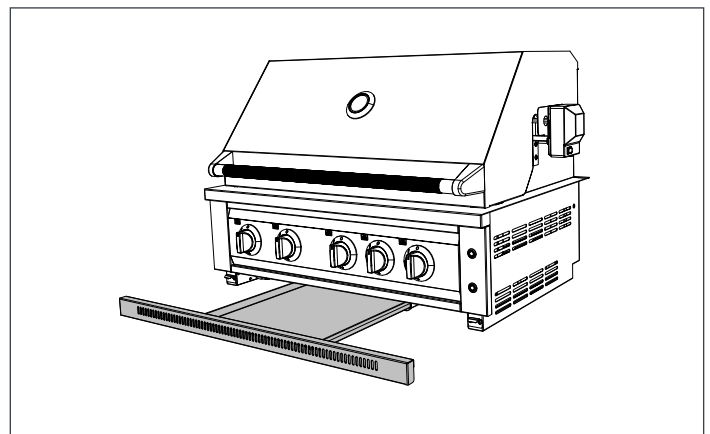
- Ne raccordez jamais une conduite de gaz directement au brûleur d'appoint. Un régulateur de pression doit être installé sur tous les appareils à gaz. Le fait de retirer ou de ne pas installer le régulateur de pression peut provoquer un incendie et des blessures graves, et annulera la garantie.
- Ne changez pas l'ensemble de régulateur/tuyau ou n'utilisez pas d'autre ensemble que celui fourni avec votre brûleur d'appoint NEWAGE.
- Ne rangez pas de bouteille de gaz propane de recharge sous ou à proximité de cet appareil.
- Ne remplissez jamais la bouteille au-delà de 80 % de sa capacité.



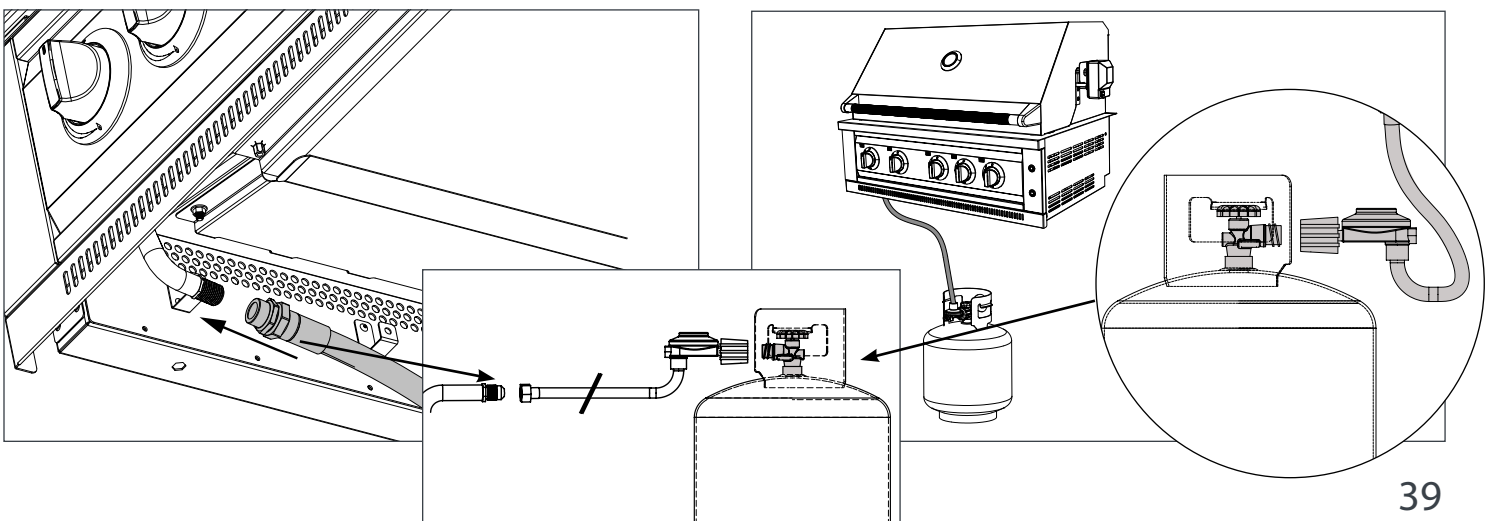
AVERTISSEMENT! Le gril et le meuble doivent avoir un dégagement minimal par rapport aux matériaux combustibles. Consultez l'illustration pour les dimensions.



1 Retirez le bac à graisse.



2 Connectez une extrémité du régulateur de type QCC1 et du tuyau à l'entrée du collecteur et à l'autre extrémité avec le volant du régulateur de type 1 au réservoir. Dans le sens horaire pour serrer, dans le sens antihoraire pour desserrer.



Instructions pour les tests de fuite

⚠ AVERTISSEMENT



Cela doit être fait avant la première utilisation, chaque année, et chaque fois que des composants du gaz sont remplacés ou entretenus. Ne fumez pas pendant ce test et éliminez toute source d'allumage. Consultez le diagramme des tests de fuite pour connaître les zones à vérifier. N'effectuez jamais de test de fuite en utilisant du feu ou une flamme. Les étincelles ou les flammes nues entraîneront un incendie ou une explosion, des dommages matériels, des blessures corporelles graves ou la mort.

Tests de fuite de gaz



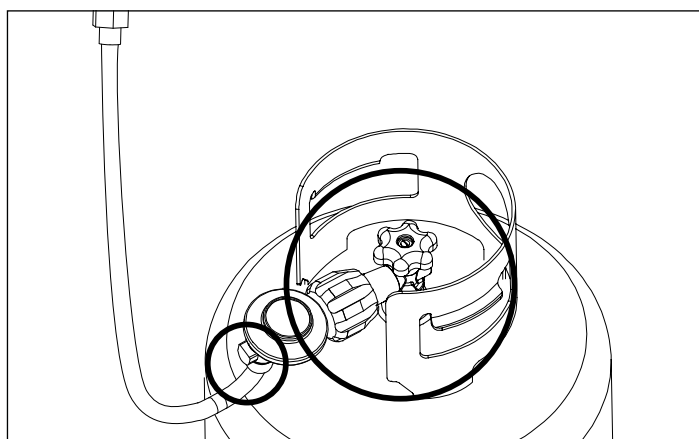
Assurez-vous que tous les boutons de commande sont dans la position d'arrêt.

Allumez l'alimentation en carburant.

- Pour le gaz propane, tournez le bouton du robinet de la bouteille d'un tour complet dans le sens inverse des aiguilles d'une montre.

Ou pulvérisez une solution composée de 50% de savon liquide et de 50% d'eau sur tous les joints et raccords du régulateur, du tuyau, des collecteurs et des vannes.

Des bulles indiquent une fuite de gaz. Coupez IMMÉDIATEMENT l'alimentation en gaz. Consultez la page suivante pour « Réparer une fuite de gaz »



Gaz propane



Vaporisateur
ou
Pinceau

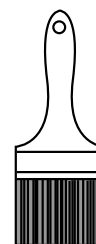


Schéma de tests de fuite

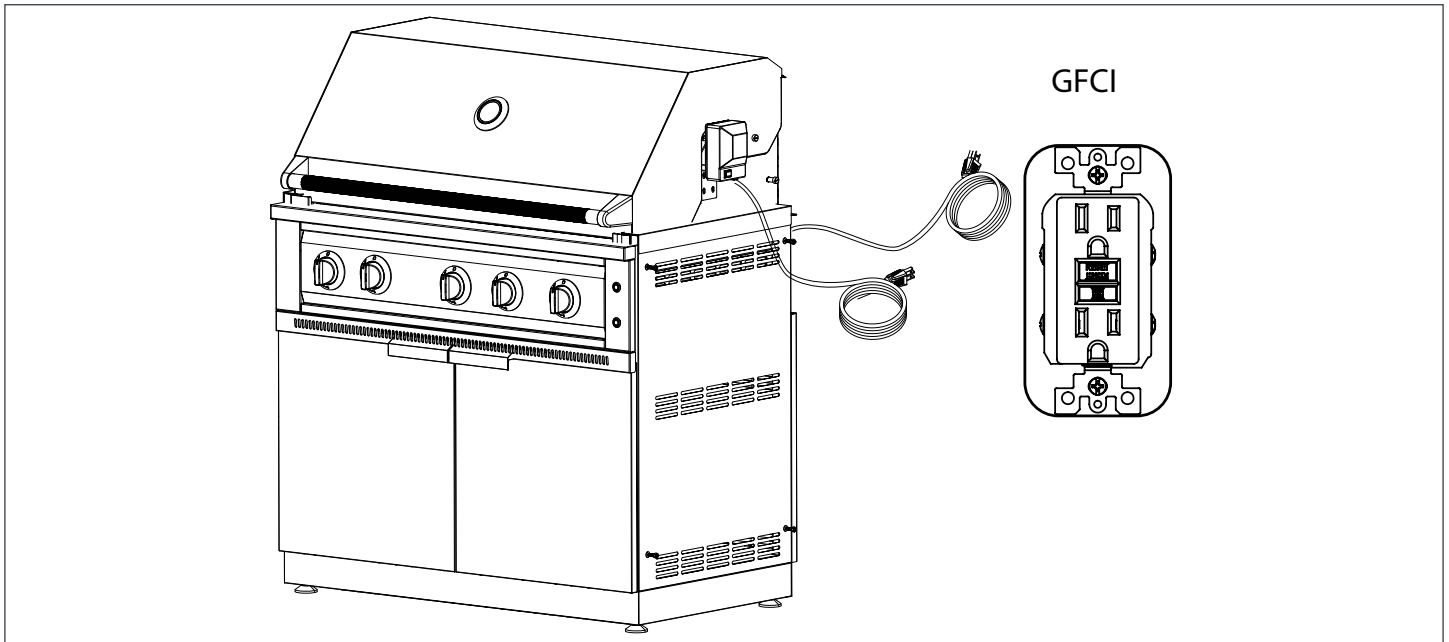
Instructions pour les tests de fuite

Réparer une fuite de gaz

- Coupez l'alimentation en gaz.
- Mettez toutes les commandes du gril en position « ON » pour purger le gril de toute accumulation de gaz, puis remettez les commandes en position « OFF ».
- Lavez la solution savonneuse à l'eau froide et séchez.
- Serrez le joint desserré ou remplacez la pièce défectueuse par des pièces de rechange recommandées par le fabricant.
- Répétez le test de fuite pour vous assurer qu'il n'y a pas de fuite.
- Si la fuite ne peut être colmatée, coupez immédiatement l'alimentation en gaz, débranchez-la et faites inspecter le gril par un installateur ou un revendeur de gaz agréé. N'utilisez pas le gril tant que la fuite n'a pas été corrigée.

Connexions électriques

Remarque : Pour que la rôtissoire, les lampes à DEL et halogènes fonctionnent, le gril doit être branché dans une prise de courant munie d'un disjoncteur différentiel de fuite à la terre (DDFT) installée par un électricien.



⚠ AVERTISSEMENT

MISE À LA TERRE ÉLECTRIQUE

- L'installation du produit doit être conforme aux codes électriques locaux ou, en l'absence de codes locaux, à la dernière édition du National Electrical Code ANS/ NFPA No. 70 ou du Code canadien de l'électricité CGA 1.6b2005.
- Utilisez uniquement un circuit protégé par un disjoncteur différentiel de fuite à la terre (DDFT) avec cet appareil de cuisson à gaz d'extérieur.
- **IMPORTANT :** Lorsque vous branchez le moteur de votre rôtissoire, connectez d'abord le moteur au gril, puis branchez le gril dans la prise de courant.
- Ce gril est équipé d'une fiche électrique à trois broches (mise à la terre) pour votre protection contre les risques d'électrocution et doit être branché directement sur une prise à trois broches correctement mise à la terre. Ne coupez et ne retirez jamais la broche de mise à la terre de cette prise.
- Utilisez uniquement des rallonges avec une fiche de terre à 3 broches, adaptées à la puissance de l'équipement et approuvées pour une utilisation à l'extérieur avec un marquage « W-A ».
- Pour vous protéger contre les décharges électriques, n'immergez aucune partie du cordon d'alimentation, d'une rallonge ou d'une prise dans l'eau ou dans un autre liquide.
- Débranchez le produit de la prise de courant lorsqu'il n'est pas utilisé et avant de le nettoyer. Laissez-le refroidir avant de mettre ou d'enlever des pièces.
- Ne laissez pas le cordon pendre sur le bord d'une table ou toucher des surfaces chaudes.
- N'utilisez pas un appareil de cuisson à gaz d'extérieur à des fins autres que celles prévues.
- Ne faites pas fonctionner un appareil de cuisson à gaz d'extérieur dont le cordon ou la fiche est endommagé, ou après que l'appareil a connu un dysfonctionnement ou a été endommagé de quelque manière que ce soit. Contactez le fabricant pour la réparation.

Connexion au CA

L'installation nécessite une prise électrique extérieure de 120 VCA 15 A munie d'un DDFT (disjoncteur différentiel de fuite à la terre) adjacente au gril.

La prise DDFT comporte un disjoncteur interne qui réduit le risque de décharge. Ce type de prise doit être installé par un électricien qualifié, soit à l'intérieur de l'enceinte de l'îlot pour les unités encastrées, soit près de l'endroit où une unité autonome sera utilisée.

Si le système électrique ne fonctionne pas, il se peut qu'une connexion se soit détachée pendant le transport ou que le disjoncteur de fuite à la terre se soit déclenché, nécessitant une réinitialisation.

Liste de contrôle précédent la cuisson.

Avant la PREMIÈRE utilisation, assurez-vous que :

1. Tous les emballages et matériaux d'emballage ont été retirés du gril et des brûleurs
2. Vous avez une alimentation en carburant connectée.
3. Toutes les parties électriques sont connectées.
4. Un monteur d'installations au gaz license a effectué un test d'étanchéité sur tous les raccords qui alimentent le gril en combustible.
5. Si votre gril ne s'allume pas en 4-5 secondes, vous devrez peut-être purger la conduite. (consultez la section sur la purge de la conduite)
6. Avant de cuisiner sur votre gril à gaz pour la première fois, il faut réaliser un brûlage. Il s'agit d'une procédure unique qui permet d'éliminer les odeurs ou les matières étrangères causées par le processus de fabrication. Pour ce faire, ouvrez le couvercle et allumez les brûleurs, fermez le couvercle et opérez sur « MAX » pendant 5 à 10 minutes. Vous pouvez alors soit régler les commandes sur « OFF », soit cuire immédiatement sur votre gril en tournant les boutons de commande sur un réglage inférieur.

AVERTISSEMENT

- **N'essayez jamais d'allumer un brûleur si vous sentez une odeur de gaz.**
- **Gardez toujours le couvercle ouvert lorsque vous allumez votre gril.**
- **Le fait de libérer du combustible dans un gril fermé avant l'allumage augmente le risque d'explosion, de dommages matériels, de blessures ou de décès.**
- **Gardez votre visage et votre corps aussi loin que possible du grill lorsque vous allumez. Chaque fois qu'un brûleur ne s'allume pas dans les 5 secondes, éteignez la commande, attendez 5 minutes que le gaz se dissipe, puis répétez la procédure d'allumage.**
- **NE LAISSEZ JAMAIS LE GRIL SANS SURVEILLANCE PENDANT LA CUISSON.**

Avant chaque utilisation :

Assurez-vous toujours de ce qui suit :

1. Vous ne sentez pas l'odeur du gaz avant d'allumer le gril. Si vous sentez une odeur de gaz, arrêtez tout et faites vérifier les fuites par un installateur license.
2. La zone de cuisson est libre et exempte de tout combustible qui pourrait s'enflammer.
3. Vous savez où se trouve la principale coupure de l'alimentation en gaz.
4. Les brûleurs sont correctement placés dans le gril. Les brûleurs principaux doivent reposer à plat et fermement sur le cadre de support de montage des brûleurs.
5. Le vent ne souffle pas trop fort ou à l'arrière du gril.

Une fois par saison

- Au début de chaque nouvelle saison de grillades, retirez les grilles et vérifiez que les brûleurs, les venturis, les orifices et les vannes ne sont pas obstrués.
- Les araignées et les insectes nichent souvent dans ces zones du gril et peuvent perturber la circulation de l'air, ce qui endommage le gril et pourrait causer des blessures.
- Vérifiez également tous les tuyaux et les raccords pour voir s'ils sont endommagés, abrasés ou usés.

Allumer le gril

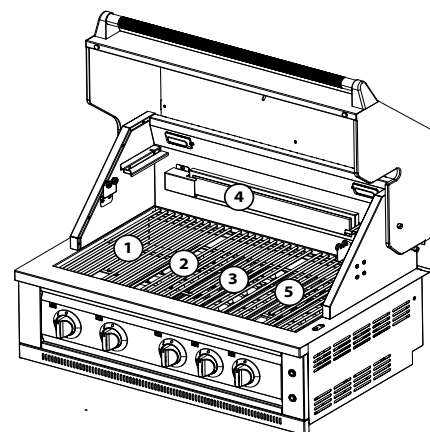
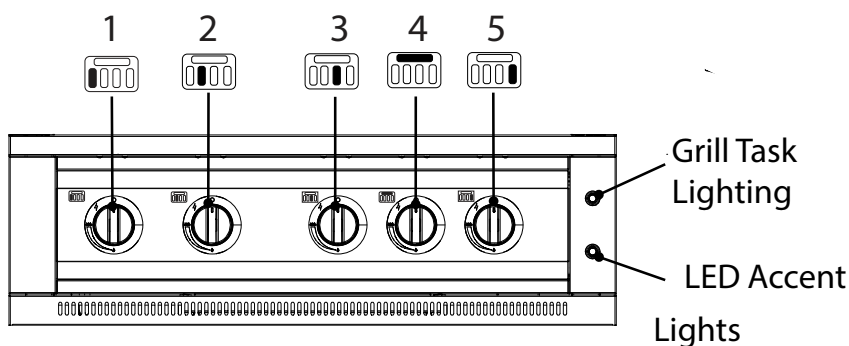
⚠ AVERTISSEMENT

- Gardez toujours le couvercle ouvert lorsque vous allumez le gril.
- Ne laissez jamais les enfants sans surveillance autour du gril NewAge. Ne rangez pas les objets qui intéressent les enfants autour ou sous le gril, ou dans le meuble. Ne permettez jamais aux enfants de se glisser à l'intérieur d'un meuble ou d'un boîtier.

⚠ MISE EN GARDE

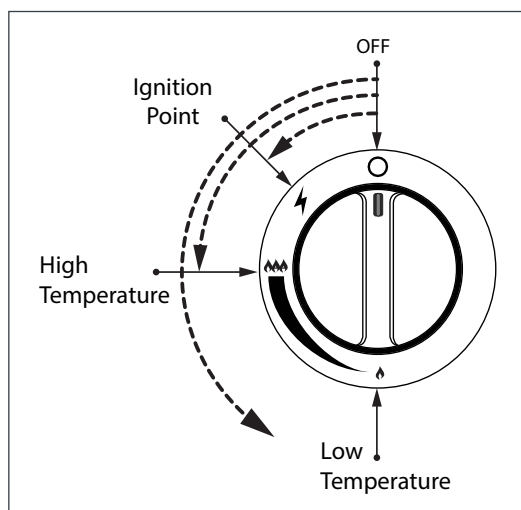
- N'allumez jamais le gril si vous sentez une odeur de gaz.
- Tenez le visage et les parties du corps éloignés du gril lorsque vous l'allumez. Si le brûleur ne s'allume pas au bout de 5 secondes, éteignez le brûleur, attendez 5 minutes puis répétez la procédure d'allumage.
- Ne laissez pas le gril sans surveillance.

Disposition des commandes du gril



1. Brûleur de saisie | 2. Brûleur gauche | 3. Brûleur central | 4. Brûleur de rôtisserie | 5. Brûleur droit

Mise à feu du dispositif d'allumage

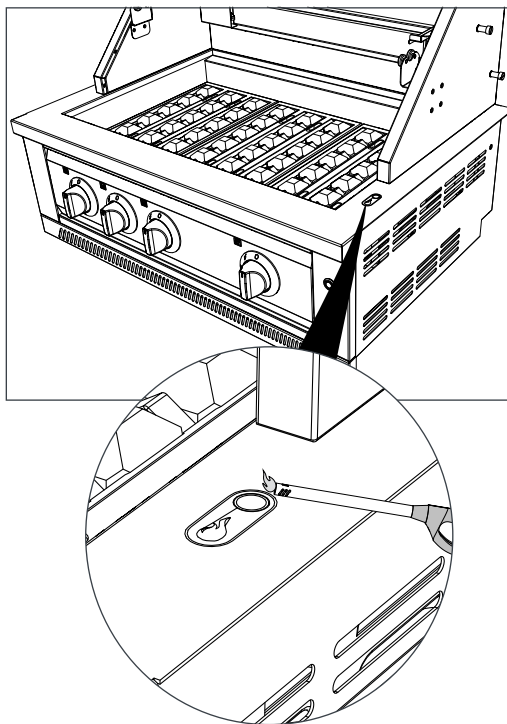


Allumage pour les BRÛLEURS (1, 2, 3, et 4) :

1. Lisez et complétez la liste de contrôle PRÉ-CUISSON.
2. Assurez-vous que tous les boutons de commande sont réglés sur Off (arrêt).
3. Allumez toujours le gril avec le couvercle ouvert.
4. Ouvrez l'alimentation en carburant.
5. Enfoncez, tournez le bouton de commande dans le sens inverse des aiguilles d'une montre jusqu'au point d'allumage (⚡) et maintenez-le enfoncé pendant cinq secondes, jusqu'à ce que les brûleurs s'allument. Il sera immédiatement à haute intensité.
6. Une fois le gril allumé, réglez la température en utilisant les réglages Max à Min.

Allumer le gril

Allumage manuel



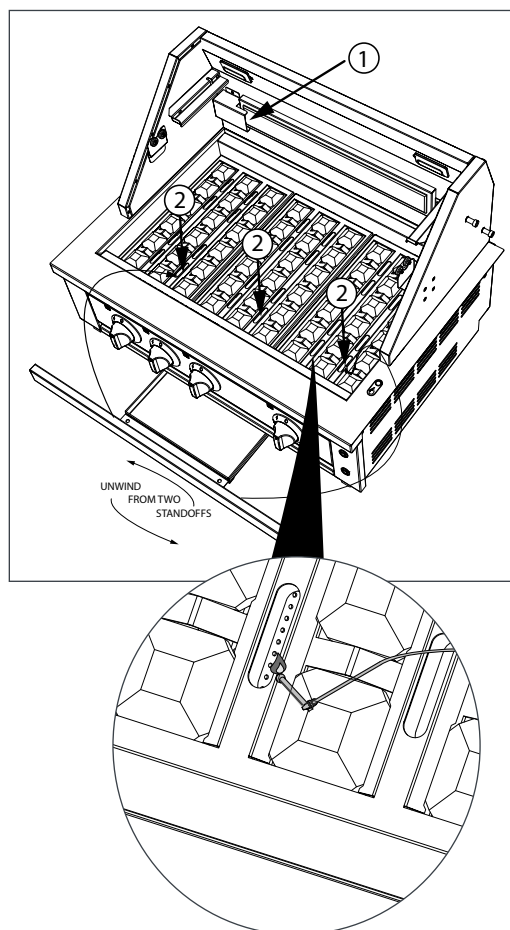
Méthode 1 (Tube d'allumage) :

Si les brûleurs ne s'allument pas après quelques tentatives, il est possible de les allumer à l'aide du briquet pour barbecue fourni. Suivez les étapes ci-dessous pour l'allumage manuel du gril.

1. Lisez et complétez la liste de contrôle PRÉ-CUISSON.
2. Assurez-vous que tous les boutons de commande sont réglés sur Off (arrêt).
3. Allumez toujours le gril avec le couvercle ouvert.
4. Ouvrez l'alimentation en carburant.
5. Placez un briquet de cuisine sur l'ouverture du tube d'allumage et allumez-le.
6. Enfoncez le bouton de commande situé à l'**extrême droite** et tournez-le à HIGH pour allumer le brûleur de droite. Assurez-vous que la flamme est allumée en regardant à travers les grilles de cuisson. Vous devriez voir une flamme.
7. Une fois que le brûleur de l'extrême droite est allumé, il faut pousser et tourner le bouton du brûleur du milieu. Une fois que le feu a traversé et allumé le brûleur du milieu, vous pouvez répéter ce processus pour le brûleur de l'extrême gauche. Si l'un des brûleurs ne s'allume pas dans les cinq secondes qui suivent pendant le processus d'allumage, arrêtez-vous, tournez le bouton de commande du brûleur sur OFF et attendez cinq minutes pour permettre au gaz de se dissiper avant de réessayer.

Méthode 2 (trous d'accès) :

Si les brûleurs ne s'allument pas après quelques tentatives, il est possible de les allumer à l'aide du briquet pour barbecue fourni. Suivez les étapes ci-dessous pour l'allumage manuel du gril.



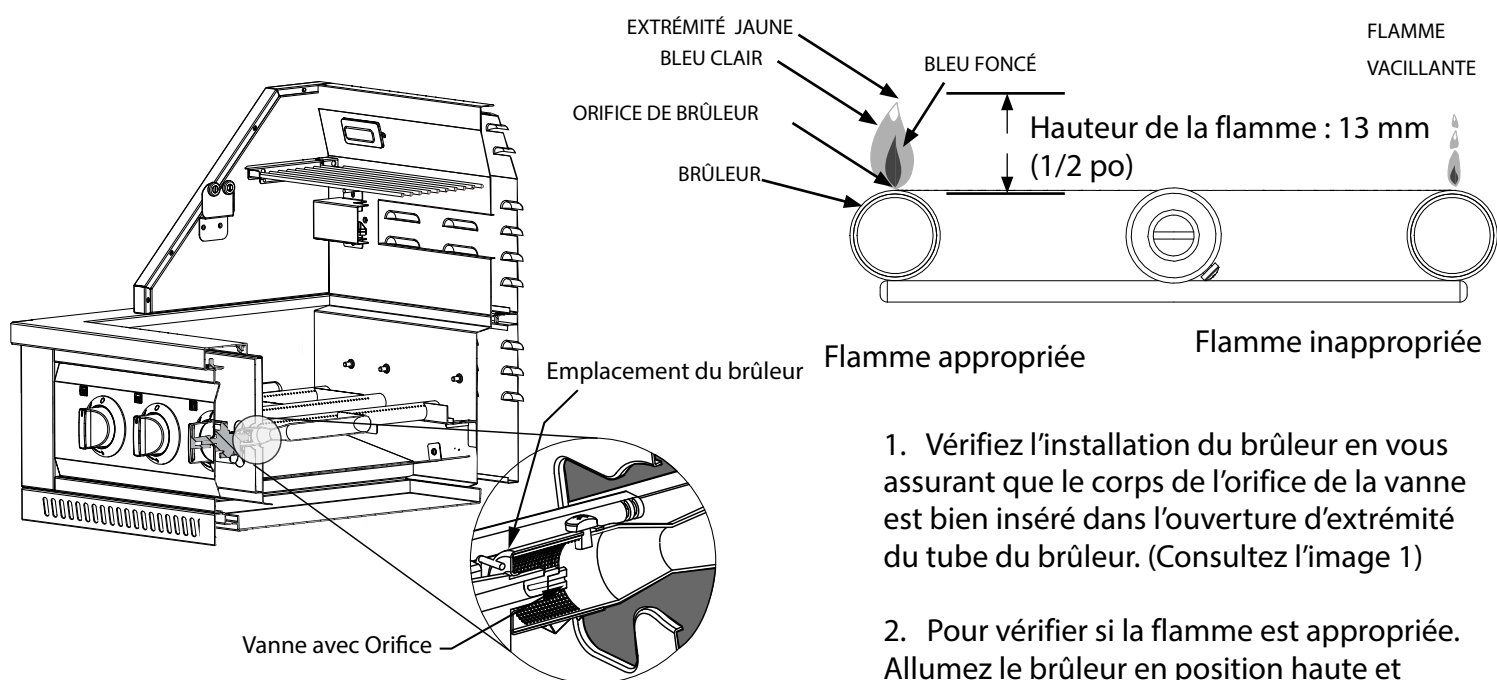
1. Lisez et complétez la liste de contrôle PRÉ-CUISSON.
2. Assurez-vous que tous les boutons de commande sont réglés sur Off (arrêt).
3. Allumez toujours le gril avec le couvercle ouvert.
4. Ouvrez l'alimentation en carburant.
5. Placez une allumette dans la pince crocodile du porte-allumette, et allumez-la.
6. Guidez le porte-allumette, avec l'allumette allumée, à travers les trous d'accès sur le plateau en céramique et à côté du brûleur de droite.
7. Enfoncez le bouton de commande correspondant et tournez-le sur HIGH pour allumer le brûleur gauche. Assurez-vous que la flamme est allumée en regardant à travers les grilles de cuisson. Vous devriez voir une flamme.
8. Répétez les étapes 5 à 7 pour les brûleurs restants. Si l'un des brûleurs ne s'allume pas dans les cinq secondes qui suivent pendant le processus d'allumage, arrêtez-vous, tournez le bouton de commande du brûleur sur OFF et attendez cinq minutes pour permettre au gaz de se dissiper avant de réessayer.

Positionnement et fonctionnement corrects du brûleur

⚠ MISE EN GARDE

Le bon positionnement de chaque brûleur est essentiel après le nettoyage ; ils doivent être centrés sur l'orifice en laiton, en reposant à niveau sans aucun balancement. Le non-respect de ces conditions peut entraîner une situation très dangereuse qui peut causer des dommages corporels et matériels.

Les boutons de commande de gaz doivent être en position « OFF » et la conduite de carburant doit être déconnectée du collecteur de la vanne de gaz. Pour réduire le risque de RETOUR DE FLAMME, la procédure ci-dessous doit être suivie au moins une fois par mois ou lorsque votre gril n'a pas été utilisé pendant une période prolongée.



1. Vérifiez l'installation du brûleur en vous assurant que le corps de l'orifice de la vanne est bien inséré dans l'ouverture d'extrémité du tube du brûleur. (Consultez l'image 1)
2. Pour vérifier si la flamme est appropriée. Allumez le brûleur en position haute et comparez avec (image 2) pour obtenir une flamme de dimension cohérente.

⚠ MISE EN GARDE

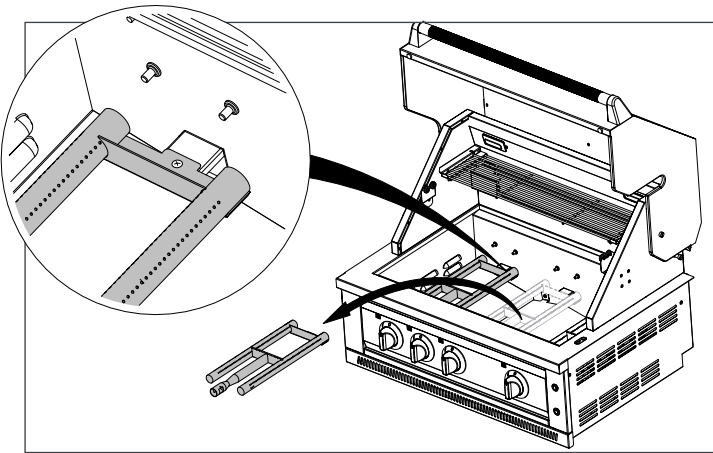
Coupez le gaz à la source et débranchez l'appareil avant de procéder à l'entretien. Pour éviter les risques de brûlures, l'entretien ne doit être effectué que lorsque le gril est froid. Un test d'étanchéité doit être effectué chaque année et chaque fois qu'un composant du circuit de gaz est remplacé ou qu'une odeur de gaz est présente.

Positionnement et fonctionnement corrects du brûleur

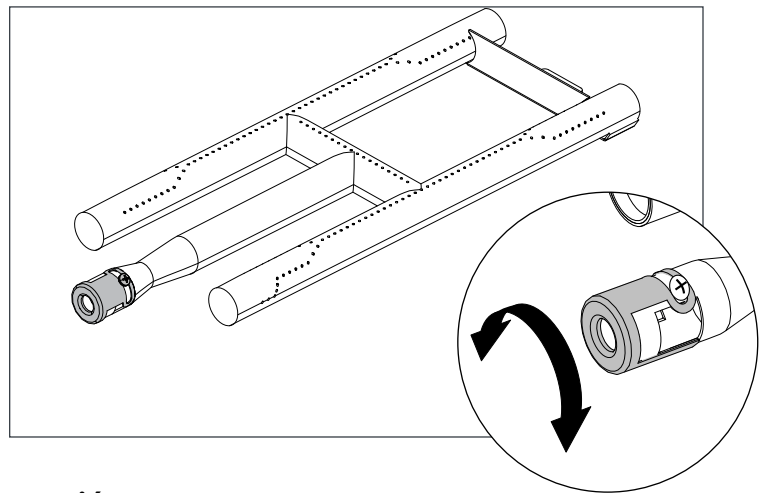
Réglage de la vanne d'obturation d'air

Pour bien régler la flamme, il faut ajuster la vanne d'obturation de l'air afin d'obtenir un mélange optimal de gaz et d'oxygène pour la combustion. Le brûleur doit être retiré pour régler la vanne d'obturation d'air.

- 1** Desserrez les boulons (A) et retirez le brûleur du grill.

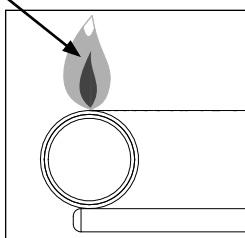


- 2** Desserrez la vis de la vanne d'obturation d'air et tournez la vanne d'obturation d'air pour changer l'ouverture de l'air.



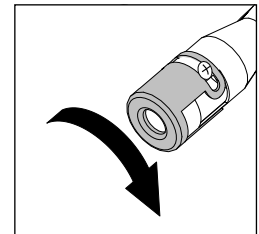
Flamme inappropriée

BLEU CLAIR

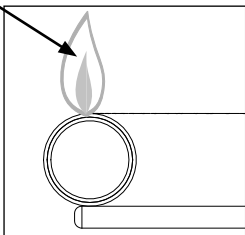


Trop d'oxygène

Si la flamme ne touche pas le brûleur, le combustible reçoit plus d'oxygène que nécessaire. Tournez la vanne d'obturation d'air dans le sens des aiguilles d'une montre pour réduire l'ouverture.

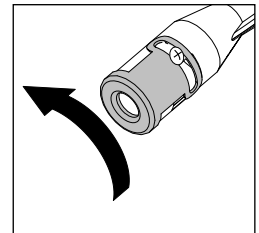


JAUNE

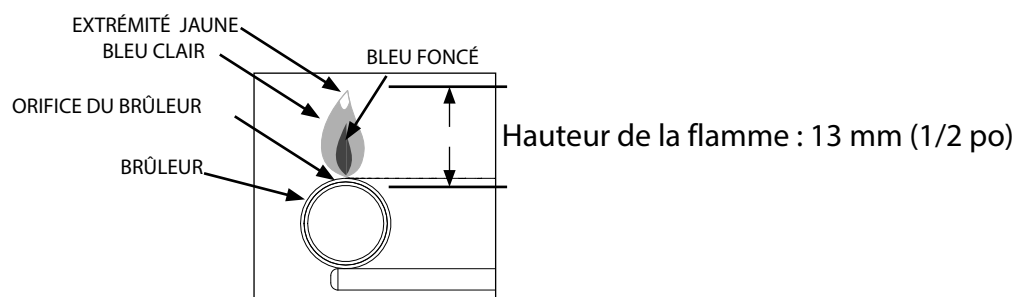


Pas d'oxygène

Si la flamme est de couleur jaune, le combustible reçoit moins d'oxygène que nécessaire. Tournez la vanne d'obturation d'air dans le sens inverse des aiguilles d'une montre pour augmenter l'ouverture.



Flamme appropriée



Fonctionnement général du grill et procédures de cuisson

AVERTISSEMENT

- **Ne laissez jamais d'enfants sans surveillance autour du grill NewAge.**
- **Un préchauffage de plus de 15 minutes peut entraîner une surchauffe et endommager le grill.**
- **Ne couvrez jamais les fentes, les trous ou les passages de la boîte à feu du grill et ne couvrez jamais une grille en entier avec un matériau tel que du papier d'aluminium. Cela bloque la circulation de l'air dans le four et peut provoquer un empoisonnement au monoxyde de carbone. Les revêtements en papier d'aluminium peuvent emprisonner la chaleur et causer un risque d'incendie.**
- **Ne laissez pas le grill sans surveillance.**

Préchauffage

Il est nécessaire de préchauffer le grill pendant une courte période avant la cuisson de certains aliments, en fonction du type d'aliment et de la température de cuisson. Le préchauffage permet aux briquettes de se réchauffer correctement, ce qui donne des résultats de cuisson plus réguliers et plus consistants. Laissez le grill se préchauffer sur « HI » jusqu'à ce que la température souhaitée soit atteinte. Utilisez le thermomètre du couvercle pour atteindre la température de préchauffage requise. Il n'est pas nécessaire de préchauffer les casseroles ou autres aliments qui nécessitent une cuisson lente.

Températures de cuisson

Réglage HIGH - Utilisez ce réglage uniquement pour un réchauffage rapide, pour saisir des steaks et des côtelettes, et pour brûler les résidus d'aliments sur les grilles de cuisson après la fin de la cuisson.

Réglage MEDIUM - Utilisez ce réglage pour la plupart des grillades, rôtis ou cuissons au four, et pour la cuisson des hamburgers et des légumes.

Réglage LOW - Utilisez ce réglage pour toutes les cuissons fumées, les cuissons en rôtissoire et pour la cuisson de morceaux très maigres comme du poisson.

Ces températures varient en fonction de la température extérieure et de la quantité de vent.

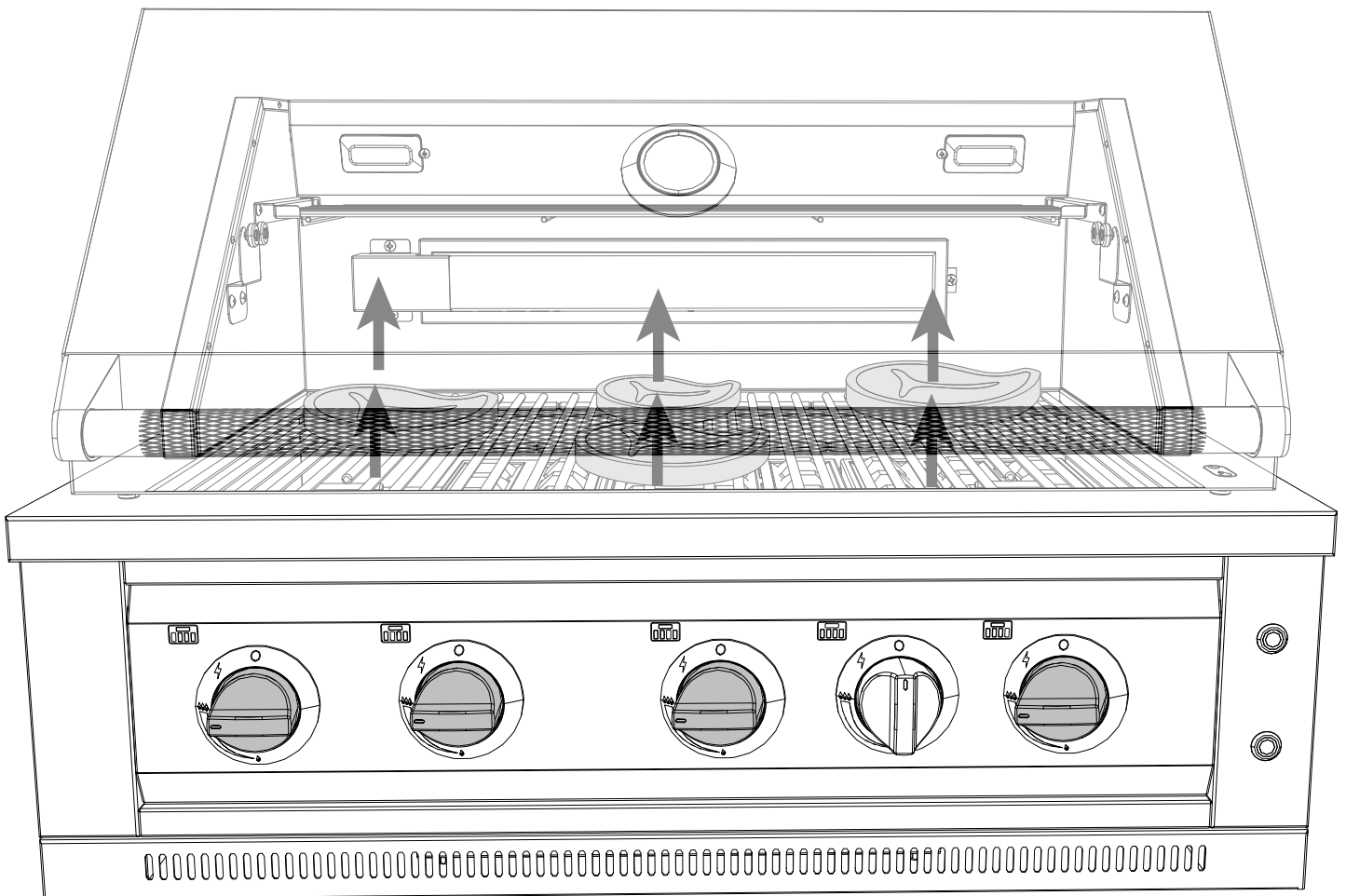
AVERTISSEMENT

N'utilisez pas le grill pour cuire des viandes ou des produits trop gras qui favorisent les flambées. Pour contrôler les flambées, réglez les commandes pour abaisser la température. Si les flambées de votre grill sont incontrôlables, éteignez les brûleurs. N'utilisez pas d'eau pour éteindre les flambées. Pulvériser de l'eau sur une flambée peut faire exploser la graisse.

Fonctionnement général du grill et procédures de cuisson

Cuisson directe

Cette méthode consiste à placer les aliments directement sur les brûleurs allumés. C'est une façon courante de cuire des aliments qui prennent moins de 20 minutes ou de saisir des aliments plus volumineux au début du processus de cuisson. Tourner trop tôt et trop souvent est l'une des erreurs les plus courantes en matière de grillades. Ne vaporisez jamais d'eau sur le grill ou dans la graisse. Utilisez un thermomètre à viande pour atteindre le degré de cuisson souhaité et retirez les articles lorsqu'ils sont un degré en dessous de la façon dont vous souhaitez les déguster, car la période de repos avant de les découper ou de les consommer fera monter la température.



Fonctionnement général du grill et procédures de cuisson

Saisir

Même pour un chef expérimenté, la cuisine infrarouge peut, au début, présenter un certain défi. En suivant ces simples conseils, vous pourrez bientôt produire des aliments plus juteux et plus savoureux que vous n'en avez jamais connu. En règle générale, les aliments cuisent en moins de temps que sur un grill ordinaire. En retournant les aliments fréquemment (environ toutes les deux minutes), on évite tout simplement de les carboniser excessivement.

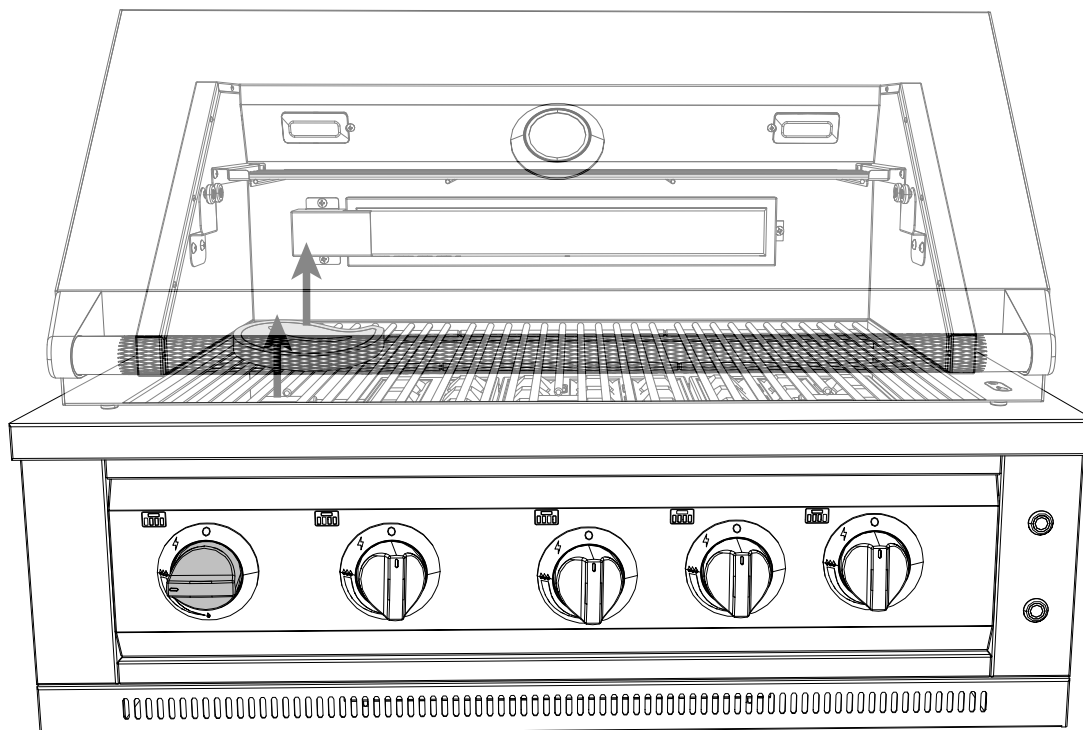
Un brûleur de saisie fonctionne en produisant une chaleur intense qui fait rapidement griller les viandes. La saisie permet d'emprisonner la saveur et les jus tout en permettant à la surface extérieure d'absorber la fumée et l'arôme des aliments qui sont produits lorsque la graisse et les égouttures sont vaporisées par le brûleur. Le résultat est un extérieur croustillant et savoureux, avec un intérieur tendre et juteux. Le résultat que vous souhaitez avec la plupart des grillades.

Comment griller avec un brûleur de saisie

Préchauffez correctement le grill en suivant les instructions d'allumage de la page 45. Placez les aliments sur les grilles du grill et tournez-les toutes les 2 à 2 1/2 minutes jusqu'à ce qu'ils soient cuits comme vous le souhaitez. Ne laissez pas les aliments cuire plus de deux minutes et demie sans les retourner. On peut faire de parfaites marques de saisie croisées en tournant les aliments de 90 ° à chaque tour.

! Remarque

Il est recommandé de tourner les aliments grillés sur un brûleur de saisie toutes les deux minutes pendant la période de cuisson. Ne laissez jamais les aliments cuire plus de 2 minutes et demie sans les retourner.



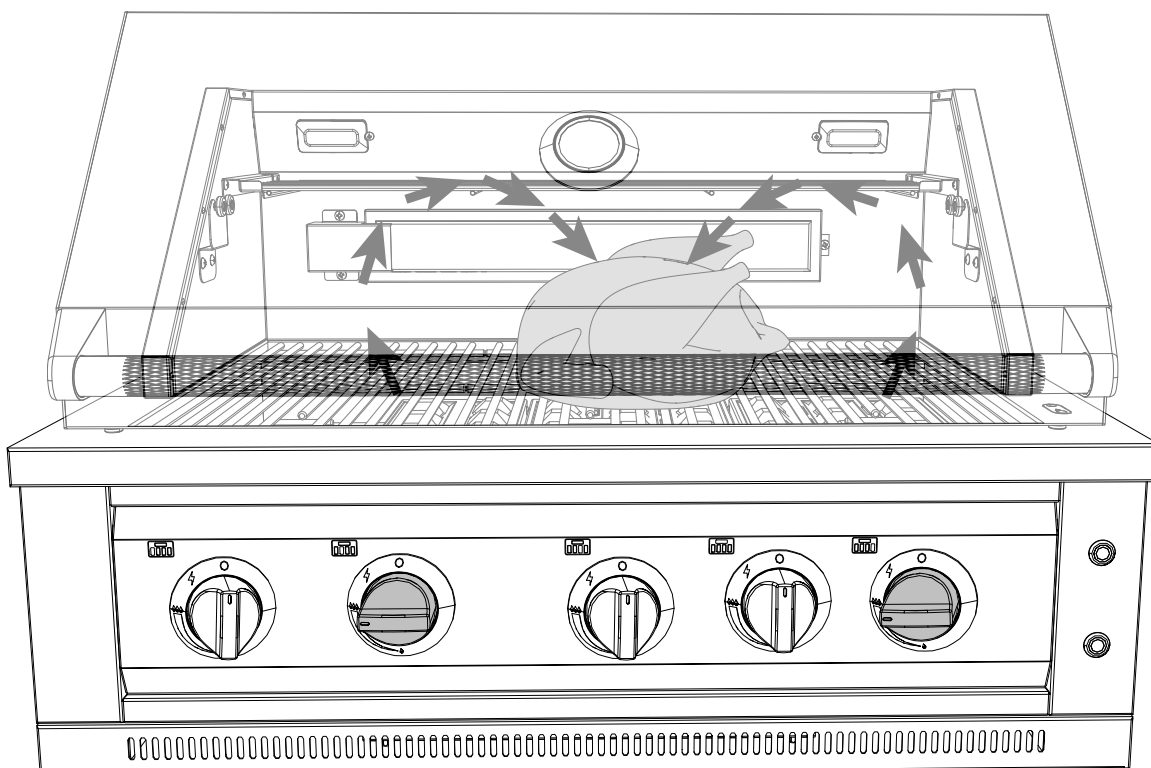
Fonctionnement général du grill et procédures de cuisson

Cuisson indirecte

Vous pouvez faire cuire lentement et à la perfection des aliments plus gros sur un côté du grill en utilisant la technique de la cuisson indirecte. Cela peut être réalisé en laissant les brûleurs directement sous la nourriture à « OFF » et en allumant les brûleurs sur le côté de la nourriture. La chaleur du brûleur allumé circule doucement dans le grill, faisant cuire les aliments sans qu'aucune flamme directe ne les touche. Cette méthode réduit considérablement les flambées lors de la cuisson de morceaux très gras, car il n'y a pas de flamme directe pour enflammer les graisses et les jus qui s'égouttent pendant la cuisson. Placez un bac d'égouttage légèrement plus petit que la coupe de viande sur les grilles de cuisson ou des briquettes en céramique sous la viande en cours de cuisson. Cela vous permettra de recueillir les jus de viande pour faire de la sauce. Flambées : Les graisses et les jus qui s'écoulent de la viande provoquent des flambées. Comme celles-ci confèrent le goût et la couleur caractéristiques des aliments cuits à feu vif, il faut s'y attendre et les encourager dans la limite du raisonnable. Néanmoins, une flambée incontrôlée peut ruiner un repas. Pour contrôler les flammes excessives causées par un réglage trop élevé de la chaleur, tournez le bouton de réglage de la chaleur sur un réglage plus bas.

⚠ MISE EN GARDE

- **Si les brûleurs s'éteignent en cours de fonctionnement, fermez l'alimentation en gaz à la source et fermez toutes les vannes de gaz. Ouvrez le couvercle et attendez cinq minutes avant d'essayer de rallumer (cela permet aux vapeurs de gaz accumulées de se dissiper).**
- **Si un feu de graisse se déclare, fermez l'alimentation en gaz à la source, éteignez tous les brûleurs et laissez le couvercle fermé jusqu'à ce que le feu soit éteint.**
- **N'essayez pas de débrancher un raccord de gaz lorsque votre barbecue est en fonctionnement.**



Fonctionnement général du grill et procédures de cuisson

Cuisson en rôtissoire

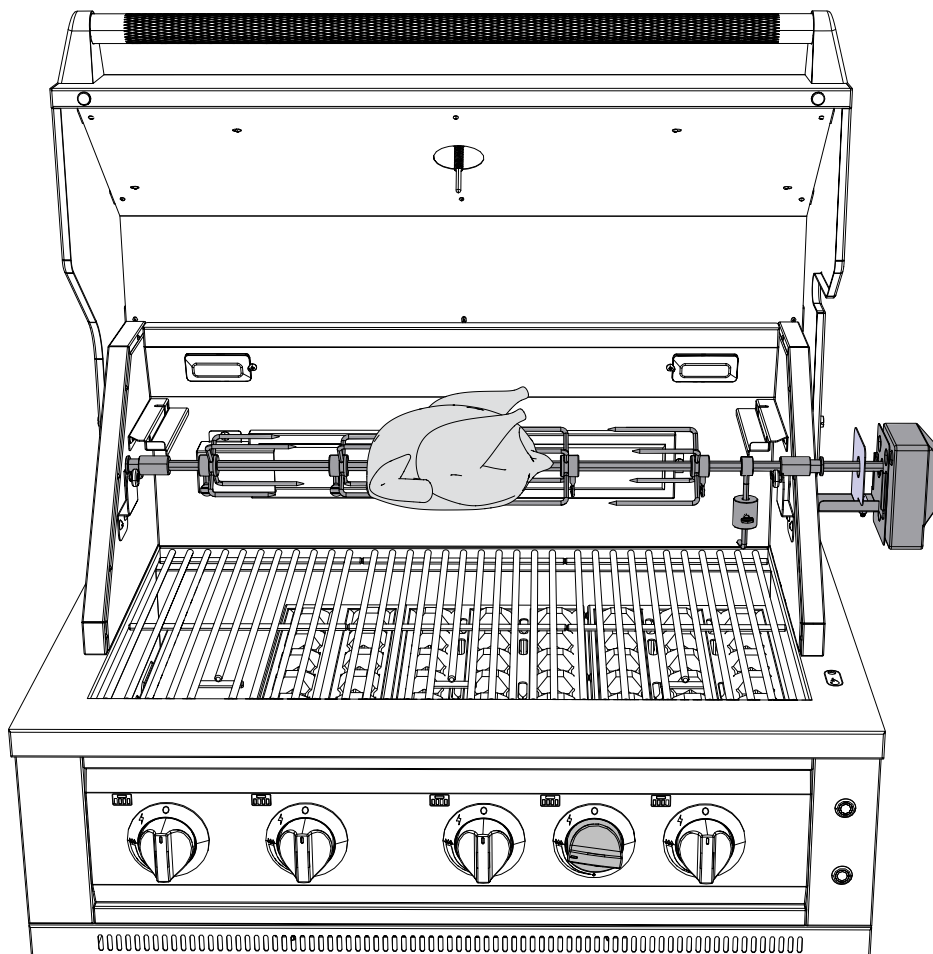
La rôtissoire est surtout utilisée pour cuire de gros morceaux de viande et de volaille afin d'assurer une cuisson lente et uniforme. Le retournement constant assure une action d'autoarrosage, rendant les aliments cuits sur une rôtissoire exceptionnellement tendres et juteux. La cuisson en rôtissoire nécessite généralement 1 ½ à 4½ heures de cuisson selon la taille et le type de viande à cuire. Vous pouvez utiliser la rôtissoire à chaleur indirecte comme indiqué ou avec un brûleur de rôtissoire à infrarouge.

Pour une rôtisserie réussie, la viande doit être centrée et équilibrée aussi régulièrement que possible sur la broche afin d'éviter de surmener le moteur de la rôtissoire.

Comme la chaleur indirecte est souvent utilisée pour la cuisson en rôtissoire, il est conseillé d'utiliser un bac d'égouttage en aluminium ou en papier d'aluminium pour éviter des flambées excessives. En général, les grilles de cuisson sont retirées pour permettre le balancement de la rôtissoire. Un bac est placé sous la zone de rôtissage, au-dessus des briquettes en céramique, pour recueillir les égouttures.

⚠ MISE EN GARDE

La grille de réchauffage doit être inclinée vers l'arrière ou retirée lorsque le brûleur de la rôtissoire est utilisé.



Entretien et nettoyage du grill

Entretien régulier

Lavez régulièrement l'évier avec de l'eau douce et propre, un détergent doux et un chiffon en microfibre. Après avoir lavé, rincez avec de l'eau douce et essuyez la surface pour la sécher avec votre chiffon en n'oubliant pas d'aller dans le sens du grain sur l'acier inoxydable brossé. En général, vous devez laver votre acier inoxydable tous les trois mois. Les zones côtières ou à proximité d'une piscine traitée au chlore nécessitent un lavage plus fréquent, toutes les deux semaines. N'utilisez pas de nettoyant abrasif ou de tampon à récurer, indifféremment du type, car ils causeront une usure excessive et terniront le fini. Les finitions en acier inoxydable dans les environnements côtiers peuvent présenter des taches de thé si elles ne sont pas lavées régulièrement. Pour une meilleure protection, utilisez une fine couche de produit de protection sur la surface.

Liste des conditions courantes qui causent la corrosion et la décoloration de l'acier inoxydable, et qui doivent être évitées :

1. Nettoyants contenant du chlore - ceci comprend l'eau de Javel et les nettoyants contenant de l'eau de Javel
2. Acide muriatique (acide chlorhydrique) - couramment utilisée pour nettoyer après l'installation de carreaux/béton
3. Résidus concentrés de savon - les additifs chimiques entraîneront une décoloration et certains savons séchés ont un aspect semblable à celui de la rouille
4. Eau ayant une forte teneur en fer - elle peut laisser un résidu d'aspect rouillé, particulièrement si on la laisse couler goutte à goutte
5. Contact avec les matériaux en fer - y compris la laine d'acier, les résidus/poussières de fer provenant de l'installation ou du nettoyage d'autres produits en acier
6. Ne laissez pas d'humidité emprisonnée entre le produit et le couvercle - humidité emprisonnée provenant de tapis en caoutchouc, cannettes ou produits de nettoyage - laissez les armoires sécher complètement avant de les couvrir.
7. Sels - contiennent du chlorure
8. Chaleur extrême d'une flamme
9. Ne laissez pas de jus de citron ou de tomate sur les surfaces en acier inoxydable.
10. Aucun nettoyant abrasif, tampon en laine d'acier ou chiffon abrasif, car ils érafleront le fini.

Élimination de l'OXYDATION

Si vous observez une oxydation, vous devez suivre quelques étapes pour restaurer vos armoires en acier inoxydable à un état « comme neuf » : Appliquez de l'eau douce avec une éponge propre et frottez doucement dans la direction du grain. Si la marque ne disparaît pas, il pourrait être nécessaire d'utiliser un nettoyant pour acier inoxydable. Il suffit alors d'appliquer le nettoyant et de frotter doucement. Après le nettoyage, il est important de rincer l'acier inoxydable avec de l'eau douce propre et de frotter avec un chiffon doux. N'oubliez pas de toujours frotter dans le sens du grain, JAMAIS de travers, car cela ruinera le fini et l'acier inoxydable pourrait perdre son lustre.

Entretien et nettoyage du grill

Nettoyage des grilles de cuisson :

Après la cuisson, tournez les boutons de commande sur « OFF » et laissez le grill refroidir avant de tenter de nettoyer vos grilles de cuisson. Avant la première utilisation et de façon régulière, il est conseillé de laver les grilles de cuisson dans une solution d'eau chaude et de savon doux. Vous pouvez utiliser une débarbouillette ou une brosse à légumes pour nettoyer vos grilles de cuisson.

Retirez les brûleurs :

1. Retirez les grilles et les plateaux en céramique.
2. Dévissez les attaches qui fixent les brûleurs au plateau.
3. Soulevez le brûleur.
4. Ensuite, tirez vers l'arrière du grill pour que la tête du brûleur se détache de l'orifice en laiton à l'avant.

Nettoyage du brûleur :

- Pour optimiser les performances du grill, nettoyez l'extérieur du brûleur avec un tampon à récurer abrasif. Enlevez les dépôts tenaces à l'aide d'un grattoir métallique.
- Dégagez les ports bouchés avec un trombone redressé. N'utilisez jamais de cure-dents en bois, car il pourrait se casser et boucher le port.
- Secouez les débris à travers la vanne d'obturation d'air.
- Utilisez une lampe de poche pour inspecter l'entrée du brûleur afin de vous assurer qu'elle n'est pas bloquée. Si des obstructions sont visibles, nettoyez-les avec un trombone ou un cure-pipe.

MISE EN GARDE

Ne laissez pas l'excès de graisse ou de liquide s'accumuler dans le bac d'égouttage, car il pourrait créer un risque d'incendie.

N'utilisez jamais le grill sans avoir installé le bac d'égouttage.

Nettoyage des bacs à égouttage :

Le bac d'égouttage doit être nettoyé après chaque utilisation. Une fois que le grill est complètement refroidi, retirez le bac d'égouttage en le tirant jusqu'à ce qu'il se libère.

Nettoyez-le à l'eau chaude savonneuse ou avec un produit de nettoyage pour four et réinstallez-le. Lorsque vous utilisez un produit de nettoyage pour four, veillez à suivre attentivement les instructions du fabricant. Beaucoup de ces nettoyeurs sont toxiques et peuvent endommager la finition de l'acier inoxydable s'ils ne sont pas utilisés correctement. Tester sur une zone non visible de l'acier inoxydable avant de l'utiliser sur toute la surface.

Vérifiez également le plateau après la pluie. Si vous avez laissé le grill à découvert, vous devrez peut-être retirer le bac d'égouttage pour évacuer l'eau du plateau.

Entretien et nettoyage du grill

Briques en céramique :

Les briques en céramique brûlent normalement les restes de nourriture accumulés. Mais il peut arriver que des déversements plus importants ne brûlent pas dans des conditions normales d'utilisation.

Quand cela se produit :

1. Laissez le grill refroidir complètement. Retirez les grilles puis les plateaux en céramique en soulevant le bord avant et en les soulevant vers le haut.
2. Retournez les plateaux et remettez-les en place sur le brûleur.
3. Allumez les brûleurs et réglez-les sur « MAX » pendant 5 à 10 minutes pour brûler les briques proprement. Assurez-vous que les plateaux ont complètement refroidi avant de les réinstaller. Les restes de nourriture peuvent être éliminés à l'aide d'une brosse à soies souples.

Acier inoxydable :

1. Après chaque utilisation, essuyez l'extérieur du grill pour enlever la graisse, la suie noire et les éclaboussures.
2. Veillez à suivre les instructions de nettoyage pour garder les grilles et les brûleurs propres et prêts à l'emploi.
3. Utilisez un nettoyant pour acier inoxydable disponible dans le commerce pour nettoyer et polir les surfaces extérieures.

L'attrait du grill NewAge réside en partie dans la finesse du grain. Nettoyez toujours dans le sens du grain.

Lors de l'élimination de taches tenaces :

- N'utilisez pas d'abrasifs métalliques et frottez toujours dans le sens du grain.
- Certains produits d'entretien ménager ne sont pas adaptés à l'acier inoxydable ; assurez-vous de lire l'étiquette avant de les utiliser sur votre grill NewAge.
- Utilisez toujours en premier lieu la solution de nettoyage la plus douce, en frottant dans le sens du grain. Des taches de graisse peuvent s'accumuler dans le grain de l'acier inoxydable et cuire à la surface, donnant l'apparence de la rouille.

Pour enlever ces aliments cuits sur la surface, utilisez un tampon abrasif non métallique à grain fin ou moyen (Scotch Brite est une bonne option) en conjonction avec un nettoyant pour acier inoxydable. Veillez toujours à nettoyer et à polir dans le sens du grain.

Entretien et nettoyage du grill

REMARQUE SPÉCIALE POUR LES ENDROITS SITUÉS PRÈS DES PISCINES ET DES ZONES CÔTIÈRES :

Le matériau en acier inoxydable 304 utilisé dans la construction d'un grill NewAge est très résistant à la rouille, cependant, le chlore présent dans l'air des piscines ou le sel de l'air marin peuvent provoquer l'apparition de rouille en surface et même créer des piqûres s'ils sont laissés sur le produit.

Voici quelques conseils pour éviter cela :

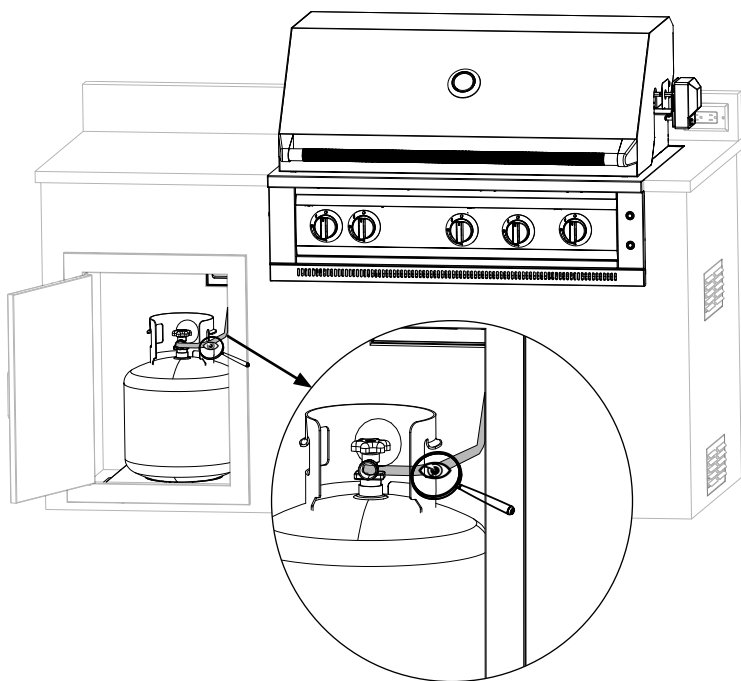
- Essuyez régulièrement les surfaces extérieures avec un chiffon humide. Les chiffons en microfibras sont très performants.
- Laissez les surfaces sécher avant d'installer la couverture. Ne couvrez pas un grill humide.
- Dans les environnements extrêmes, appliquez un inhibiteur de rouille qui laisse une couche protectrice microscopique sur le grill. Les produits qui fournissent une couche d'inhibiteurs de corrosion à la vapeur (VpCI™) protègent très bien la surface.
- Pour le stockage saisonnier, utilisez le produit mentionné ci-dessus, assurez-vous que le grill est sec, puis couvrez et fixez le couvercle pour minimiser la quantité d'air humide qui atteint les surfaces.

LA GARANTIE NEWAGE NE COUVRE PAS LA ROUILLE DE SURFACE OU LES TACHES OCCASIONNELLES DUES AUX CONDITIONS ENVIRONNEMENTALES.

ACCÈS ET INSPECTION DE L'ÉTAT DU TUYAU D'ALIMENTATION

ÉTAPE 1 : OUVREZ LA PORTE

ÉTAPE 2 : INSPECTION DE L'ÉTAT DU TUYAU



LE TUYAU DOIT AVOIR UN TRAJET EN SERPENT RÉGULIER POUR ÉVITER LES PLIS ET LES DÉFAILLANCES PRÉMATURÉES. VEUILLEZ EXAMINER LES TUYAUX ET LES RACCORDS POUR DÉTECTER LES FISSURES, LES DÉCHIRURES OU LES MARQUES D'USURE DUES AU FROTTEMENT, ETC.

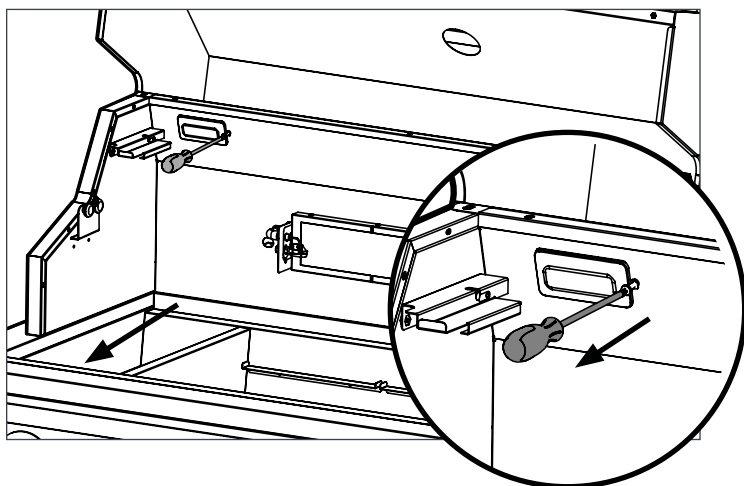
Remplacement des ampoules

! REMARQUE

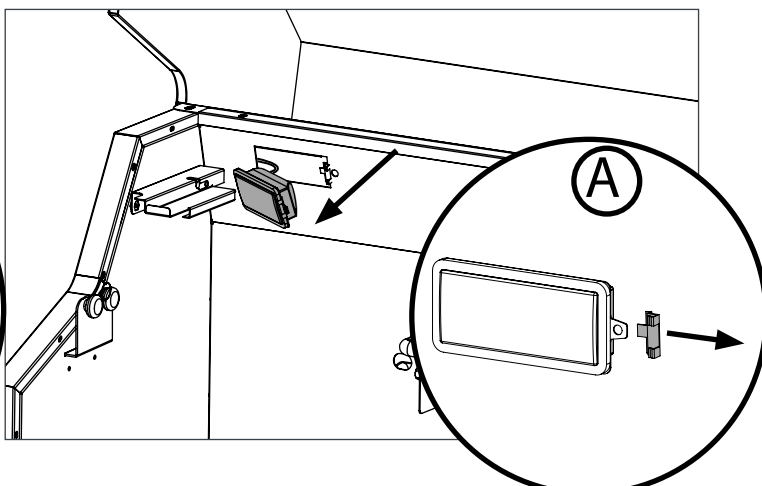
- Débranchez le grill à la source d'alimentation avant de remplacer les ampoules
- La durée de vie de l'ampoule sera réduite en raison de l'huile sur le bout de vos doigts. Il est recommandé de toucher l'ampoule le moins possible et de l'essuyer avec un chiffon après l'avoir manipulée avec les doigts nus.

Pour remplacer l'ampoule halogène de votre grill, vous devez d'abord retirer le verre protecteur du logement de la lampe. Pour retirer le verre protecteur du logement, il faut enlever la vis Philips qui maintient le logement en place. Retirez le verre protecteur du boîtier (y compris le support métallique). N'utilisez que vos doigts, saisissez les deux bords extérieurs de l'ampoule, ne saisissez ni le haut ni le bas de l'ampoule, car elle pourrait se casser. Insérez la nouvelle ampoule à l'aide de votre chiffon propre et enclenchez-la doucement.

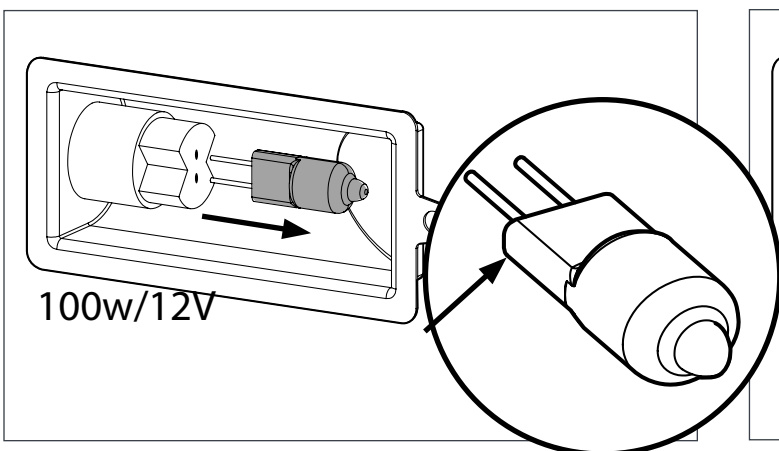
- 1** Commencez par débrancher le grill de l'alimentation électrique. Retirez la vis qui maintient le logement de la lampe sur le grill à l'aide d'un tournevis Phillips n° 2.



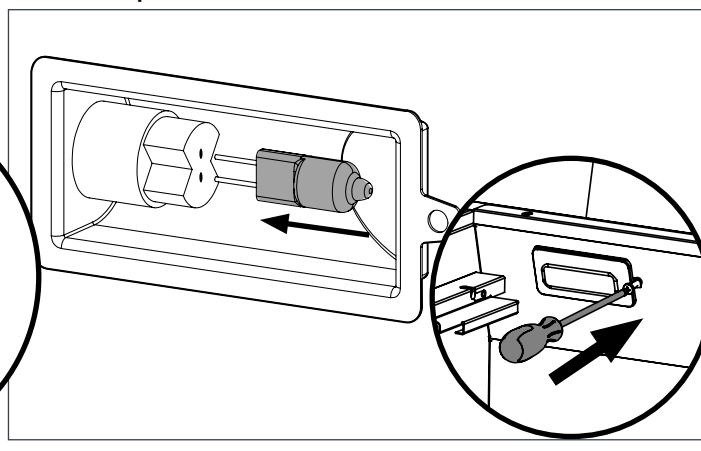
- 2** Retirez avec précaution le logement du grill, il sera fixé avec un fil électrique, donc ne tirez pas fort. Retirez l'attache qui maintient le couvercle de la lampe sur le boîtier principal de la lampe.



- 3** Une fois le couvercle retiré, retirez l'ampoule halogène de la douille.



- 4** Remplacez l'ampoule en l'enfonçant directement dans la douille. Remettez le couvercle de la lampe en place et réinstallez le logement en répétant les étapes 2 et 3 dans l'ordre inverse.

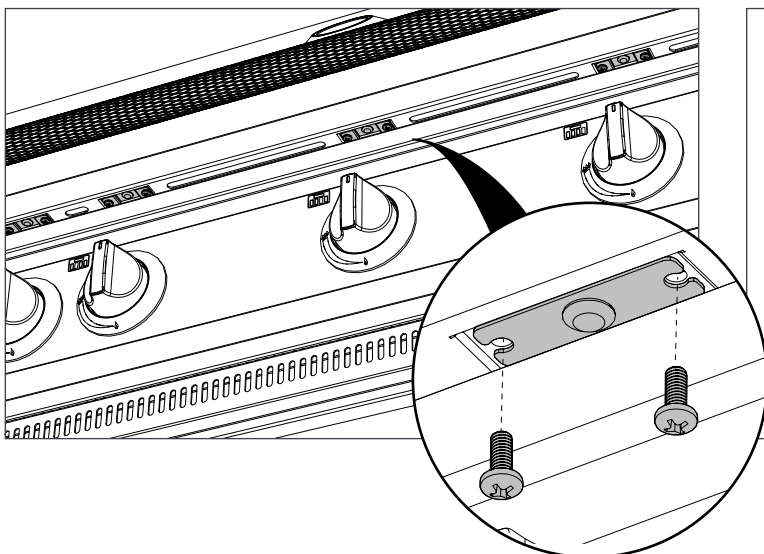


Remplacement des lampes à DEL

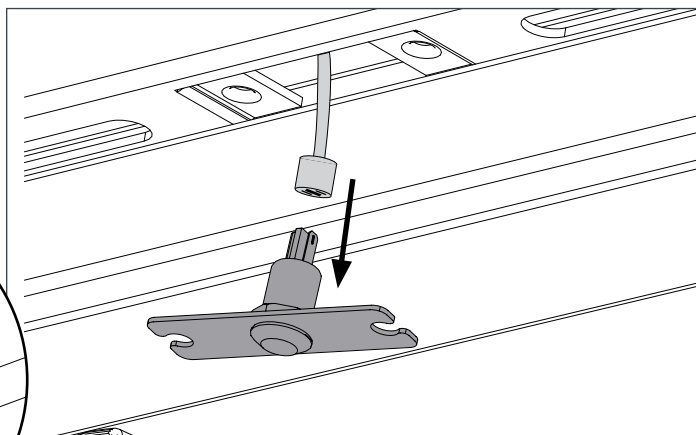
⚠ REMARQUE

- Débranchez le gril de la source d'alimentation avant de remplacer les ampoules.
- La durée de vie de l'ampoule sera réduite en raison de l'huile sur le bout de vos doigts. Il est recommandé de toucher l'ampoule le moins possible et de l'essuyer avec un chiffon après l'avoir manipulée avec les doigts nus.

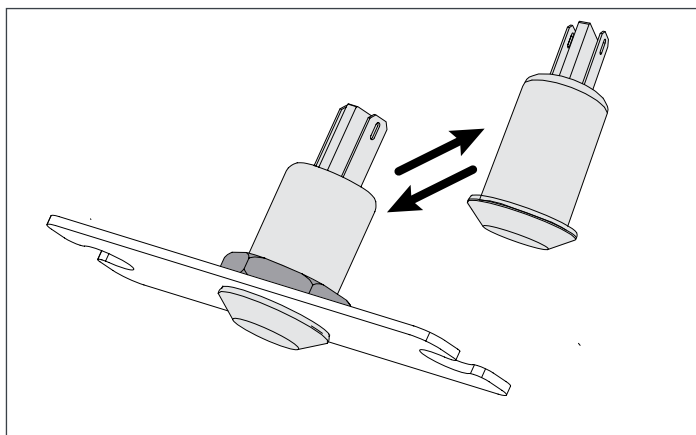
1 Retirez les vis qui maintiennent le support de la lampe à DEL à l'aide d'un tournevis à tête Phillips.



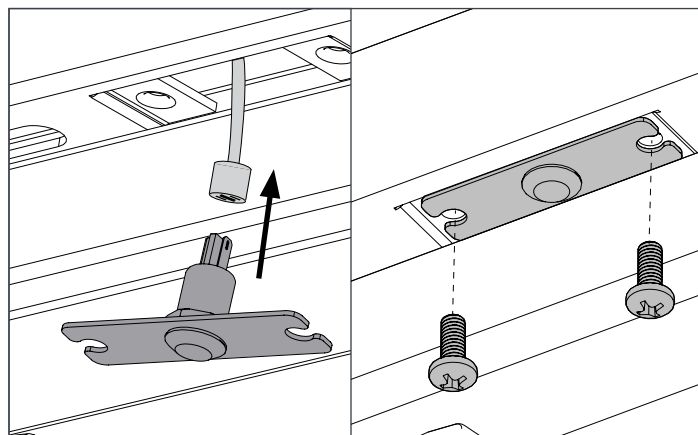
2 Retirez l'ensemble de la lampe LED et débranchez-la du connecteur d'alimentation.



3 Desserrez le contre-écrou et remplacez l'ampoule LED.



4 Connectez l'ensemble de la lampe à LED au connecteur d'alimentation et fixez-le au gril avec les deux vis à l'aide d'un tournevis à tête Phillips.



Dépannage

Veillez vérifier et vous assurer des points suivants avant d'appeler le service clientèle.

1. Le gril est-il alimenté en combustible ?
2. La vanne de sectionnement principale est-elle ouverte ?
3. Utilisez-vous le bon type de combustible pour le gril ? (Grill au gaz propane ou grill au gaz naturel)
4. Votre bouteille de propane est-elle vide ? Avez-vous récemment rempli la bouteille de propane ? Si oui, la connexion est-elle bien serrée ?
5. Le gril est-il branché sur un circuit électrique sous tension ?
6. Tentez d'allumer le brûleur (consultez la page 45). Vérifiez que les autres brûleurs de l'unité fonctionnent. Nettoyez la pointe de l'électrode de tout débris.

PROBLÈME	LES CAUSES POSSIBLES
1. Faible chaleur/faible flamme lorsque le bouton de commande est réglé sur « High »	<p>Pour le propane - procédure d'éclairage inappropriée. Assurez-vous que la procédure d'éclairage est suivie avec soin. Toutes les vannes du grill à gaz doivent être en position fermées lorsque la vanne du réservoir est ouverte. Allumez le réservoir lentement pour permettre à la pression de s'équilibrer. Consultez les instructions d'éclairage.</p> <p>Faible quantité de carburant Vérifiez si la bouteille de propane est vide</p> <p>Pour le gaz naturel - conduite d'alimentation sous-dimensionnée. Le diamètre du tuyau d'alimentation doit être dimensionné en fonction du code d'installation.</p>
2. Chaleur inégale	<p>Plateaux en céramique mal installés. Veiller à ce que les plateaux en céramique soient installés avec la configuration des trous décrivant un parcours de l'avant vers l'arrière. Consultez les instructions de montage. Préchauffez le gril avec les brûleurs principaux à haute température pendant 10 minutes.</p> <p>Un excès de graisse et de cendres s'accumule sur les plateaux en céramique et dans le bac d'égouttage. Nettoyez régulièrement les plateaux en céramique et le bac d'égouttage. Ne recouvrez pas le bac de papier d'aluminium. Consultez les instructions de nettoyage.</p>
3. Les brûleurs brûlent avec une flamme jaune, accompagnée d'une odeur de gaz.	<p>Toile d'araignée ou autres débris éventuels, ou mauvais réglage du volet d'obturation d'air. Nettoyez soigneusement le brûleur en le retirant. Consultez les instructions générales d'entretien. Ouvrez légèrement le volet d'obturation d'air pour régler l'air de combustion (Cela doit être fait par un installateur d'installation au gaz license)</p>

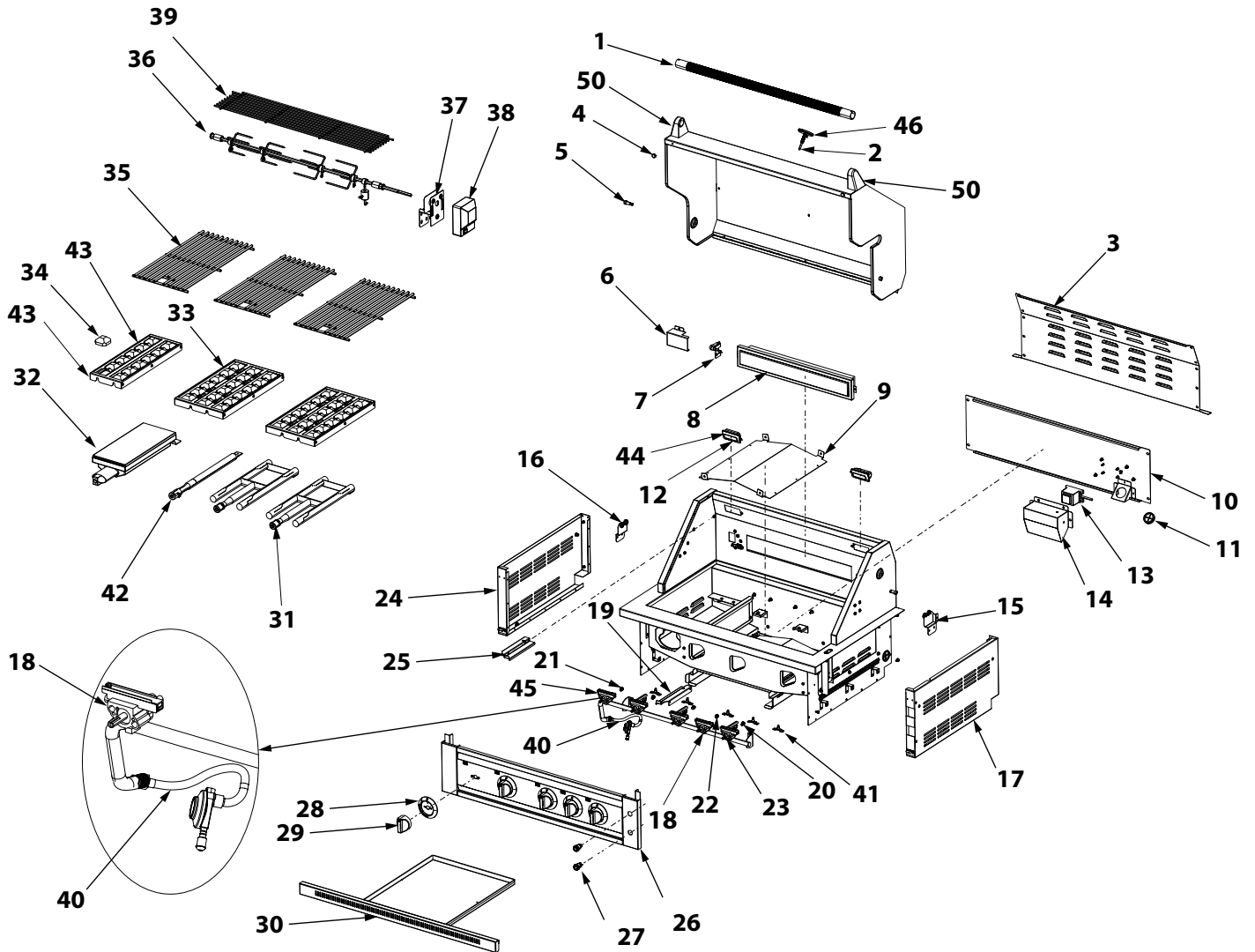
Dépannage

PROBLÈME	LES CAUSES POSSIBLES
4. Le brûleur principal ne s'allume pas avec l'allumeur, mais avec une allumette	<p>L'électrode est recouverte de résidus de cuisson Nettoyez le fil ou l'électrode à l'aide d'un chiffon et d'alcool à friction.</p> <p>L'électrode et les brûleurs sont mouillés Essuyez-les avec un chiffon sec.</p> <p>Électrode d'allumage fissurée ou cassée ; étincelles à l'endroit fissuré Remplacez la vanne. Cela doit être fait par un installateur d'installation au gaz license.</p> <p>L'orifice du dispositif d'allumage est obstrué Nettoyez l'orifice ou remplacez la vanne au besoin.</p> <p>Dispositif d'allumage défectueux. Remplacez la vanne. Cela doit être fait par un installateur d'installation au gaz license.</p>
5. Régulateur produisant un bourdonnement.	Ce n'est pas une défaillance. Elle est causée par des vibrations internes dans le régulateur et n'affecte pas les performances ou la sécurité du gril à gaz. Les régulateurs à bourdonnement ne seront pas remplacés.
6. Les brûleurs ne se croisent pas.	<p>Accumulation de graisse, matière alimentaire ou saleté. Nettoyez les canaux du pont. Assurez-vous que les orifices latéraux du brûleur sont propres.</p>
7. Le rendement du brûleur en position « high » est trop faible. (Bruit de grondement et flamme bleue qui vacille à la surface du brûleur)	<p>Manque de gaz. Vérifiez le niveau de gaz dans la bouteille de propane.</p> <p>Le tuyau d'alimentation est pincé. Repositionnez le tuyau d'alimentation si nécessaire.</p> <p>Orifice sale ou bouché. Toile d'araignée ou autre matière dans un tube de venturi. Nettoyez l'orifice du brûleur. Nettoyez le tube venturi. Consultez la page 9.</p> <p>Régulateur de propane en état de « faible débit ». Toutes les vannes du gril à gaz doivent être en position fermées lorsque la vanne du réservoir est ouverte. Allumez le réservoir lentement pour permettre à la pression de s'équilibrer. Consultez les instructions d'éclairage.</p>
8. Le brûleur infrarouge (le cas échéant) clignote (pendant le fonctionnement, le brûleur émet brusquement un fort bruit de « whoosh », suivi d'un bruit continu de type chalumeau et s'affaiblit)	<p>Des carreaux de céramique surchargés de graisse et d'accumulations. Les orifices sont bloqués. Éteignez le brûleur et laissez-le refroidir pendant au moins deux minutes. Allumez le brûleur et brûlez à feu vif pendant au moins cinq minutes ou jusqu'à ce que les carreaux de céramique soient uniformément rouges.</p> <p>Brûleur surchauffé en raison d'une ventilation insuffisante (trop grande surface de gril couverte par la plaque ou la casserole) Veillez à ce que la surface du gril ne soit pas recouverte à plus de 75 % par des objets ou des accessoires. Éteignez le brûleur et laissez refroidir pendant au moins deux minutes, puis rallumez.</p> <p>Carreau de céramique fissuré. Laissez le brûleur refroidir et inspectez de très près pour détecter les fissures. Si vous trouvez des fissures, contactez le service clientèle de NewAge pour obtenir une option de remplacement.</p> <p>Un joint d'étanchéité qui fuit autour de la tuile céramique, ou une défaillance de la soudure dans le boîtier du brûleur.</p>

Dépannage

PROBLÈME	LES CAUSES POSSIBLES
9. L'éclairage du grill et du panneau de commande ne fonctionne pas	<p>Unité non connectée au réseau électrique. Branchez le cordon du transformateur dans le boîtier d'alimentation (à partir d'une prise de courant protégée par un DDFT fonctionnel).</p> <p>Transformateur défectueux. Vérifiez la sortie du transformateur - elle doit être de 12 VCA. Remplacez-la si nécessaire.</p> <p>Les bornes sur l'interrupteur ou le circuit imprimé sont corrodées ou desserrées. Nettoyez les connexions et veillez à ce que les connecteurs soient bien emboîtés. L'accès au circuit imprimé se fait sous un couvercle électrique, sur le côté gauche de l'armoire.</p>
10. Le brûleur s'éteint	<p>Emplacement du grill Le vent fort et le vent directement à l'arrière du grill peuvent provoquer des éruptions. Placez le grill dans la direction du vent dominant.</p> <p>Vérifier la flamme Suivez les étapes décrites à l'étape 8 du dépannage</p> <p>Brûleurs mal installés Les brûleurs correctement installés doivent être placés fermement et de niveau, sans mouvement latéral.</p>
11. Le brûleur s'éteint lorsqu'il est réglé au minimum	<p>Manque de gaz. Vérifiez le niveau de gaz dans la bouteille de propane. Vérifiez que la vanne de sectionnement principale est ouverte.</p> <p>Le tuyau d'alimentation est pincé. Repositionnez le tuyau d'alimentation si nécessaire.</p> <p>Orifice sale ou bouché. Toile d'araignée ou autre matière dans un tube de venturi. Nettoyez l'orifice du brûleur. Nettoyez le tube de venturi.</p> <p>Régulateur de propane en état de « faible débit ». Toutes les vannes du grill à gaz doivent être en position fermées lorsque la vanne du réservoir est ouverte. Allumez le réservoir lentement pour permettre à la pression de s'équilibrer. Consultez les instructions d'éclairage.</p>
12. La rôtisserie ne s'allume pas	<p>Pas d'alimentation à l'allumage Consultez le schéma 10.</p> <p>Le brûleur ne s'allume pas Consultez les étapes décrites aux points 12 et 13 du dépannage</p>
13. La rôtisserie s'allume et s'éteint immédiatement dès que le bouton de commande est relâché.	<p>Continuez à maintenir le bouton de la soupape de sécurité en position enfoncée jusqu'à ce que le brûleur reste allumé lorsqu'il est relâché. Continuez à maintenir le bouton de la soupape de sécurité en position enfoncée jusqu'à ce que le brûleur reste allumé lorsqu'il est relâché.</p>

Vue éclatée et pièces de rechange

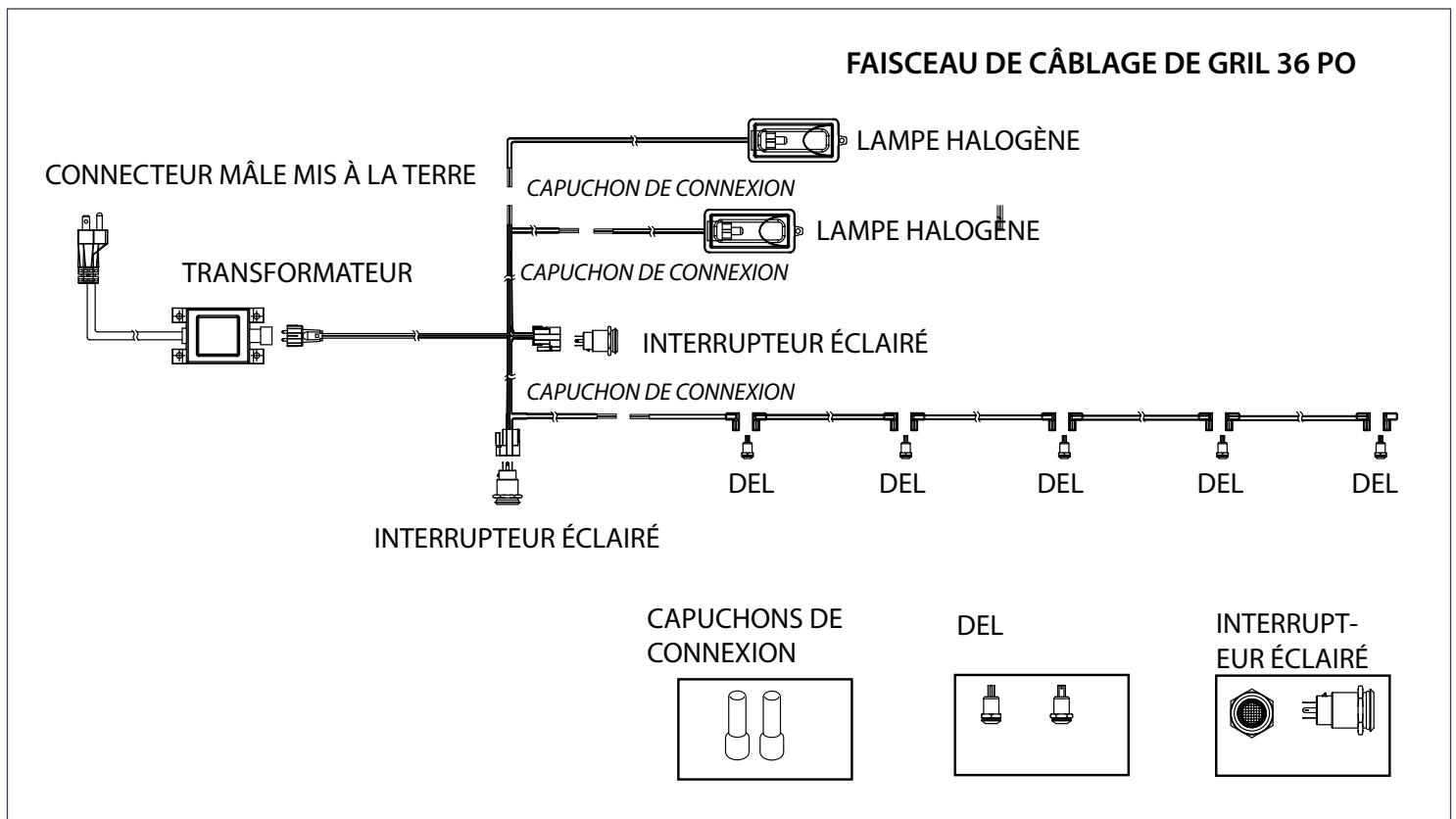


Vue éclatée et pièces de rechange

Article n°.	N° de pièce ing.	Description	QTÉ	Numéro d'UGS des pièces de rechange offertes	Pièces de rechange QTÉ
1	GL2-02.011.02A-01	Poignée du couvercle	1	-	-
2	GL2-01.023.06A-01	Thermomètre	1	66931	1
3	GL2-02.009A-01-XX	Panneau arrière supérieur	1	-	-
4	GL2-01.023.05A-01	Pare-chocs de couvercle	2	-	-
5	H00362A-01	Vis à épaulement fendue - Dia10x16, M8x1.25	2	-	-
6	GL2-01.018.02A-01	Couvercle d'allumage du brûleur	1	-	-
7	GL2-01.018.03A-01	Ensemble d'allumage de rôtisserie	1	66925	1
8	GL2-02.008.02A-01	Brûleur de rôtissoire	1	66923	1
9	GL2-02.001.03A-01-XX	Ensemble de déflecteur de chaleur de boîte à feu	1	-	-
10	GL2-02.006.01A-01	Panneau arrière extérieur	1	-	-
11	GL2-01.001.03.04A-01	Passe-câble de prise d'alimentation	1	-	-
12	GL2-01.018.04A-01	Assemblage de lumière halogène	2	65932	1
13	GL2-01.010.03A-01	Transformateur	1	65963	1
14	GL2-01.010.04A-01	Couvercle du transformateur	1	-	-
15	GL2-01.017.02A-01	Rôtissoire Rod Rest Assy RH	1	65927	1 Pair
16	GL2-01.016.02A-01	Rôtissoire Rod Rest Assy LH	1		
17	GL2-01.004.01A-01	Panneau latéral extérieur droit	1	-	-
18	GL2-01.006.01.03A-01	Valve du brûleur de rôtissoire	1	66920	1
19	GL2-01.017.03A-01	Support de panier supérieur droit	1	66933	1
20	GL2-01.029A-01	Orifice de gaz propane du brûleur principal	3	66935	1
21	GL2-01.040.02A-01	Orifice de gaz propane du brûleur Sear	1	66835	1
22	GL2-02.015.02A-01	Brûleur de rôtisserie Orifice de gaz propane	1	66937	1
23	GL2-01.006.01.02A-01	Soupape de brûleur	3	65920	1
24	GL2-01.003.01A-01	Panneau latéral extérieur gauche	1	-	-
25	GL2-01.016.03A-01	Support de panier supérieur gauche	1	66932	1
26	GL2-02.005A-01-XX	Ensemble de panneau de commande	1	-	-
27	H00361A-01	Commutateur LED	2	65924	1
28	GL2-01.021A-01-XX	Lunette du brûleur principal	5	66831	1
29	GL2-01.022A-01-XX	Bouton du brûleur	5	65956	1
30	GL2-06.010A-01	Bac à graisse Assy	1	66975	1
31	GL2-01.007A-01-XX	Ensemble de brûleur principal	3	66922	1
32	GL2-01.008A-01-XX	Assemblage de brûleur de saisie	1	66844	1
33	GL2-01.011A-01-XX	Ensemble de bac à briquettes - Grand	2	66930	1
34	GL2-01.011.03A-01	Briquette	48	66929	1
35	GL2-06.009A-01-XX	Grille de cuisson	3	66840	1
36	GL2-06.015A-01-XX	Assemblage de kit de rôtisserie	1	66976	1
37	GL2-01.024A-01-XX	Ensemble de support de moteur de rôtisserie	1	65930	1
38	GL2-01.025A-01-XX	Moteur de tournebroche avec plaque de support	1	65929	1

Article n°.	N° de pièce ing.	Description	QTÉ	Numéro d'UGS des pièces de rechange offertes	Pièces de rechange QTÉ
39	GL2-06.013A-01-XX	Grille chaude	1	66842	1
40	GLE-04.008A-01	Type QCC1 Détendeur et tuyau	1	64970	1
41	GL2-01.002.02A-01-XX	DEL	4	65967	1
42	GL2-06.005A-01-XX	Assemblage du brûleur tubulaire	1	66841	1
43	GL2-06.008A-01	Assemblage de plateau à briquettes (Petit)	1	66843	1
44	GL2-01.018.04.002A-01	Couvercle en verre pour lampe halogène	2	65931	1
45	GL2-01.006.01.04A-01	Soupape du brûleur de saisie	1	66921	1
46	GL2-01.023.07A-01	Thermomètre Bazel	1	66830	1
47	GL2-01.001.09A-01	Ensemble d'allumage du brûleur de saisie	1	66926	1
48	GL2-01.039.02A-01	Tube Brûleur Gaz Naturel Orifice	1	66833	1
49	GL2-06.017A-01	Kit de faisceau de câbles LED	1	65914	1
50	GL2-01.023.02A-01	1x paire de bases de poignée LH & RH avec 4x vis M6	1 Set	67751	1

Schéma de câblage



Service à la clientèle de NewAge



Lorsque vous contactez le service à la clientèle de NewAge, veuillez rassembler les renseignements suivants et les avoir à portée de main :

- Numéro de modèle
- Date d'achat
- Preuve d'achat par le propriétaire d'origine
- Code de production

Vous pouvez trouver le code de production à l'arrière du gril.

**Pour un service plus rapide, contactez NewAge Products au 1 877 306-8930 ;
ou écrivez à support@newageproducts.com.**